

W



JAY R. SMITH MFG. CO.®
 MEMBER OF MORRIS GROUP INTERNATIONAL
 POST OFFICE BOX 3237
 MONTGOMERY, ALABAMA 36109-0237 (USA)
 TEL: 334-277-8520 FAX: 888-377-7818 www.jrsmith.com



MEMBER OF:

LOCATION

PRIME-EZE® WATER SAVER TRAP PRIMER

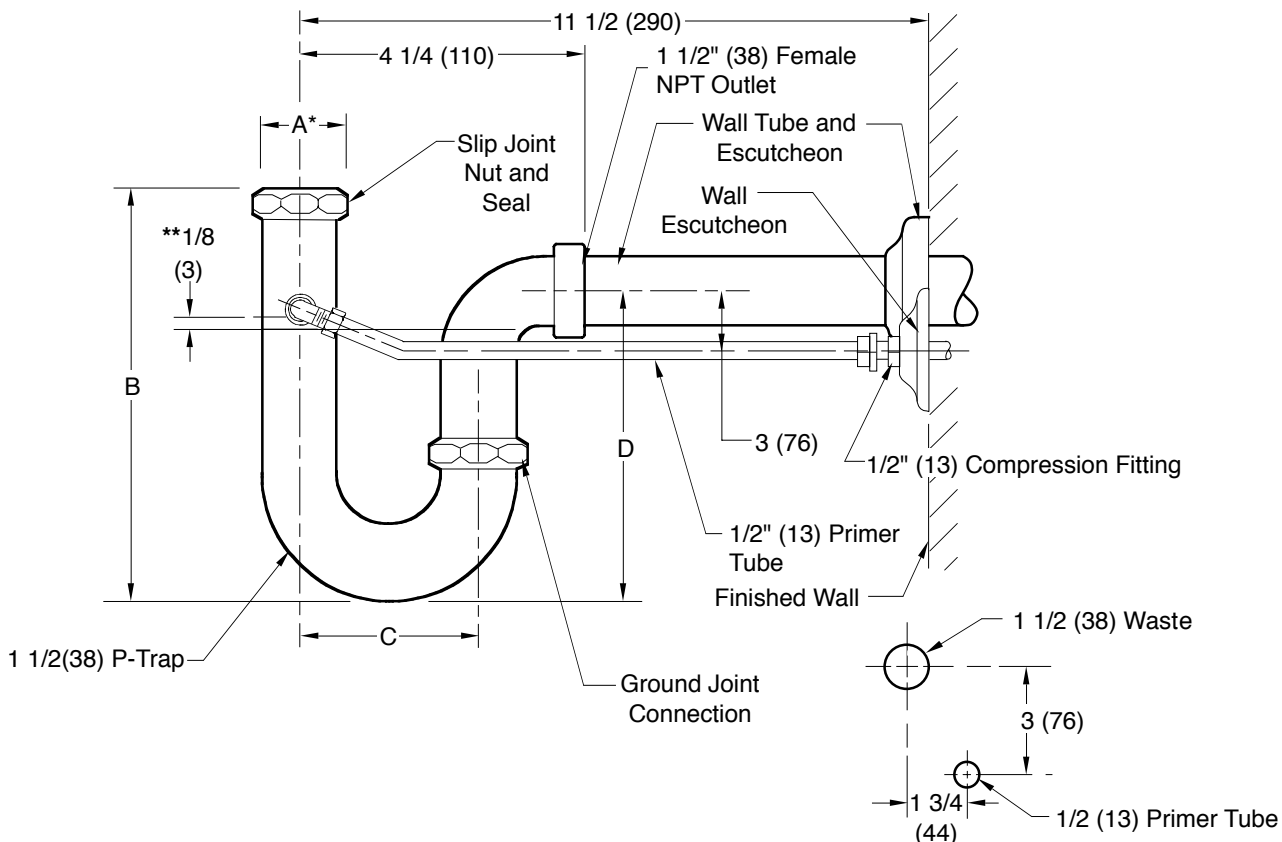
DRAWING NUMBER
S2698SIZE
ASCALE:
NONEDATE:
6-26-91APPROVED BY:
WHCHECKED BY:
WHDRAWN BY:
PJ

2698

FIGURE
NUMBER

WE CAN ASSUME NO RESPONSIBILITY FOR USE OF SUPERSEDED OR VOID DATA

DIMENSIONS ARE SUBJECT TO MANUFACTURERS TOLERANCE AND CHANGE WITHOUT NOTICE



*1 1/4 (32) and 1 1/2 (38) Slip Joint Nuts are Provided to Accommodate the Appropriate Fixture Tail Piece. Ground Joint Elbow is Threaded 1 1/2 (38) N.P.T.

****NOTE:** Invert of connection located 1/8" (3) above static water level enabling "overflow" into primer tube when temporary head of water is created.

REGULARLY FURNISHED:

Satin Chrome Plated Cast Bronze P-trap with Ground Joint Connection and Escutcheons, 1/2" (13) Primer Tube with Compression Fitting Connection at Wall.

NOTE: Dimensions shown in parentheses are in millimeters.

RECOMMENDED ROUGH-IN

A (INLET SIZE)	B	C	D
0125 (32) or 0150 (38)	6 (150)	2 7/8 (73)	5 (125)

OPTIONAL MATERIALS:

Polished Chrome Plated Cast Bronze P-Trap -CP

U.S. PATENT
4,218,786



STD. 1044



C ®
File No.
3253

CANADIAN
PATENT
1,139,184

REV.	DATE	DESCRIPTION	BY	CKD. BY
W	12-1-20	Added Trademark, Removed Function	TBW	JT
V	6-1-15	Revised UPC Marking	TBW	CL
U	9/20/06	Revised DWG & ASSE STD	RN	CL
T	1-26-99	Revised	TBW	BS

WEIGHT
POUNDS

VOLUME
CUBIC FEET

FIGURE NUMBER

2698



WARNING: Cancer and Reproductive Harm - www.P65Warnings.ca.gov

G

SMITH® JAY R. SMITH MFG. CO.®
 MEMBER OF MORRIS GROUP INTERNATIONAL
 POST OFFICE BOX 3237
 MONTGOMERY, ALABAMA 36109-0237 (USA)
 TEL: 334-277-8520 FAX: 888-377-7818 www.jrsmith.com



MEMBER OF:

LOCATION

PRIME-EZE® WATER SAVER TRAP PRIMER

DRAWING NUMBER
S2698 BS

SIZE
A

SCALE:
NONE

DATE:
7-2-91

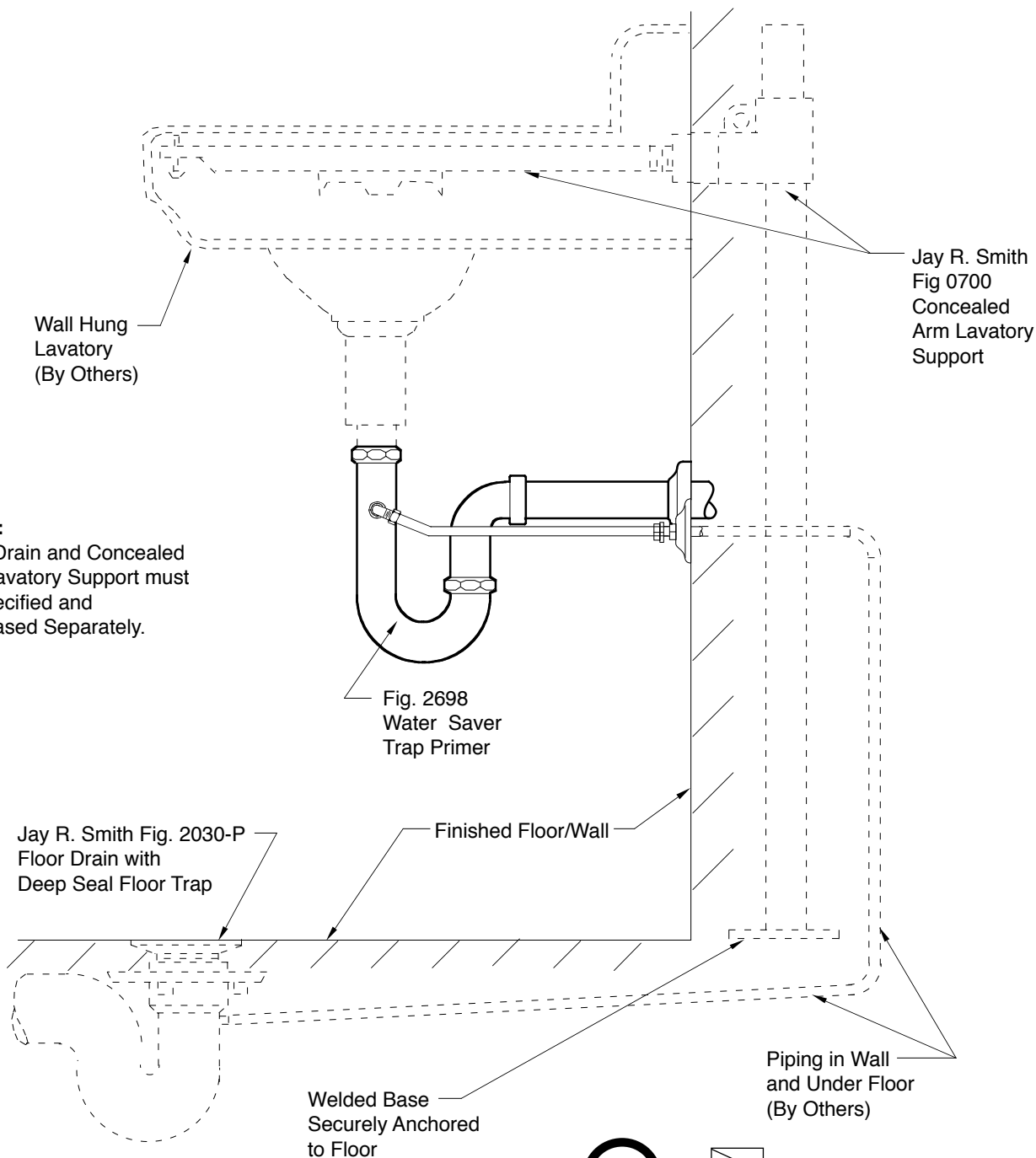
APPROVED BY:

CHECKED BY:

DRAWN BY:
EMB

WE CAN ASSUME NO RESPONSIBILITY FOR USE OF SUPERSEDED OR VOID DATA

DIMENSIONS ARE SUBJECT TO MANUFACTURERS TOLERANCE AND CHANGE WITHOUT NOTICE



STD. 1044



File No. 3253

2698BS

REV.	DATE	DESCRIPTION	BY	CKD. BY	WEIGHT POUNDS	VOLUME CUBIC FEET	FIGURE NUMBER
	12-1-20	Added Trademark	TBW	JT			2698BS
	6-1-15	Revised UPC Marking	TBW	CL			
	9/20/06	Revised DWG & ASSE STD	RN	CL			
	4-11-95	Chg'd Dwg	EMB	BS			



WARNING: Cancer and Reproductive Harm - www.P65Warnings.ca.gov