



SMITH  
**FLUID**  
CONTROLS®

**JAY R. SMITH MFG. CO.®**  
MEMBER OF MORRIS GROUP INTERNATIONAL  
POST OFFICE BOX 3237  
MONTGOMERY, ALABAMA 36109-0237 (USA)  
TEL: 334-277-8520 FAX: 888-377-7818 www.jrsmith.com

LOCATION

# DISTRIBUTION UNIT

DRAWING NUMBER  
**S2694DA**

SIZE  
**A**

SCALE:  
**NONE**

DATE:  
**7-20-18**

APPROVED BY:  
**DP**

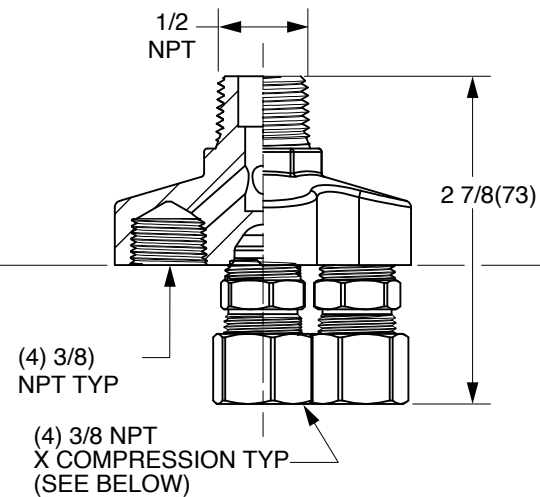
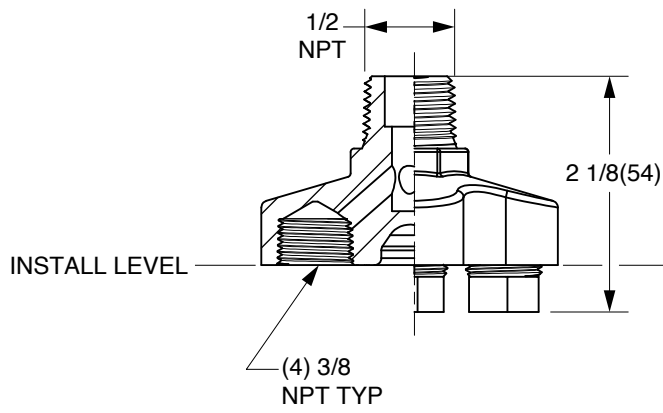
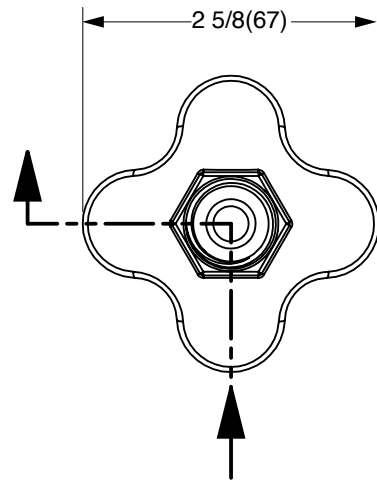
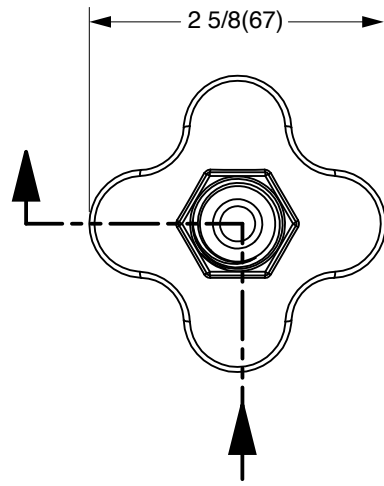
CHECKED BY:  
**DP**

DRAWN BY:  
**TBW**

**2694DA**

WE CAN ASSUME NO RESPONSIBILITY FOR USE OF SUPERSEDED OR VOID DATA

DIMENSIONS ARE SUBJECT TO MANUFACTURERS TOLERANCE AND CHANGE WITHOUT NOTICE



- Fig. 2694DA  
(2) 3/8" NPT PLUGS
- Fig. 2694DA-ABS  
(2) 3/8" NPT PLUGS

- Fig. 2694DA-500  
(4) 3/8" NPT X 1/2"(13) O.D.  
COMPRESSION TYP
- Fig. 2694DA-625  
(4) 3/8" NPT X 5/8"(16) O.D.  
COMPRESSION TYP
- Fig. 2694DA-ABS-500  
(4) 3/8" NPT X 1/2"(13) O.D.  
COMPRESSION TYP
- Fig. 2694DA-ABS-625  
(4) 3/8" NPT X 5/8"(16) O.D.  
COMPRESSION TYP

**REGULARLY FURNISHED:**  
Lead Free Brass or ABS Body  
with 1/2" NPT Inlet Connection  
with Outlet Connection as  
indicated by Figure Number  
Selected.



PATENT NO. US10,066,378

FIGURE NUMBER	C	7-18-23	Removed Function	HS	CL	WEIGHT POUNDS	VOLUME CUBIC FEET	FIGURE NUMBER <b>2694DA</b>
	B	3-4-20	Rev. Drawing: Add Install Level	MW	JM			
	A	12-2-19	Added UPC	MW	CL			
REV.	DATE	DESCRIPTION		BY	CKD. BY			

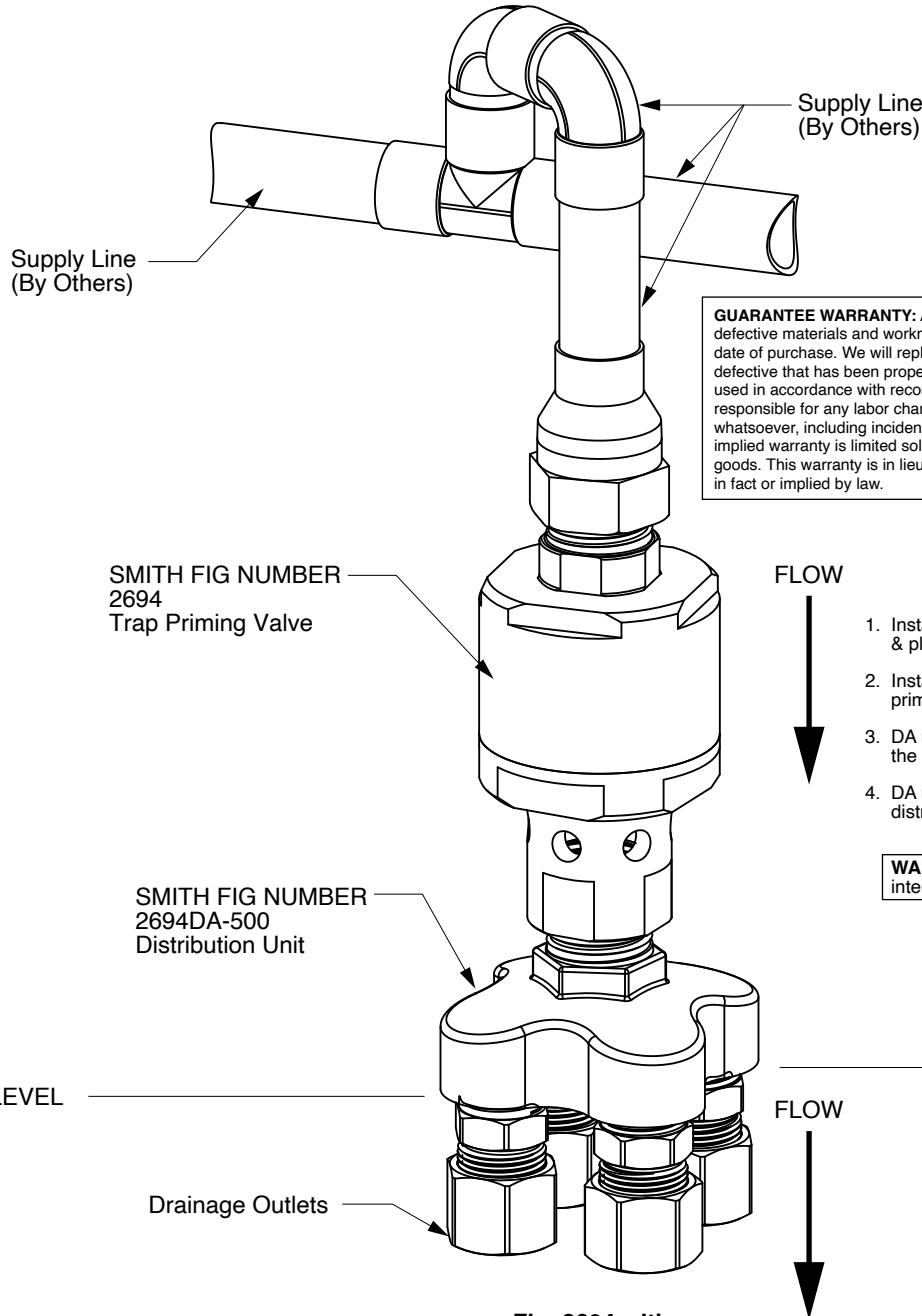


SMITH  
**FLUID**  
CONTROLS®

**JAY R. SMITH MFG. CO.®**  
MEMBER OF MORRIS GROUP INTERNATIONAL  
POST OFFICE BOX 3237  
MONTGOMERY, ALABAMA 36109-0237 (USA)  
TEL: 334-277-8520 FAX: 888-377-7818 www.jrsmith.com

LOCATION

# TYPICAL ASSEMBLY WITH A DISTRIBUTION UNIT



**GUARANTEE WARRANTY:** All Smith products are guaranteed against defective materials and workmanship for a period of one year from the date of purchase. We will replace, free of charge, any product proven defective that has been properly installed, properly maintained and used in accordance with recommended instructions. We shall not be responsible for any labor charges or any loss, injury or damages whatsoever, including incidental or consequential damages. The implied warranty is limited solely to the replacement of the defective goods. This warranty is in lieu of other warranties, express, implied in fact or implied by law.

**NOTES**

1. Install the drain fittings (compression & plug) into the DA drainage outlets.
2. Install the DA unit between rigid supply/ primer and rigid drain lines.
3. DA unit may be threaded directly into the primer outlet - **HAND TIGHTENED.**
4. DA unit shall be installed level for optimal distribution.

**WARNING:** This is a gravity drain not intended to be pressurized.

Fig. 2694 with  
Fig. 2694DA-500  
(4) 3/8" NPT X 1/2"(13) O.D.  
**COMPRESSION TYP**

DRAWING NUMBER  
**S2694DA-INST**

SIZE  
**A**

SCALE:  
**NONE**

DATE:  
**7-22-14**

APPROVED BY:  
**JM**

CHECKED BY:  
**CL**

DRAWN BY:  
**TBW**

FIGURE NUMBER  
**2694DA-INST**

DIMENSIONS ARE SUBJECT TO MANUFACTURERS TOLERANCE AND CHANGE WITHOUT NOTICE WE CAN ASSUME NO RESPONSIBILITY FOR USE OF SUPERSEDED OR VOID DATA

REV.	DATE	DESCRIPTION	BY	CKD. BY	WEIGHT POUNDS	VOLUME CUBIC FEET	FIGURE NUMBER
D	7-18-23	Changed BS to INST	HS	CL			<b>2694DA-INST</b>
C	12-1-20	Rev. Piping, Added Notes	TBW	JM			
B	3-4-20	Rev. Drawing: Add Install Level	MW	JM			
A	12-2-19	Revised Drawing	MW	CL			