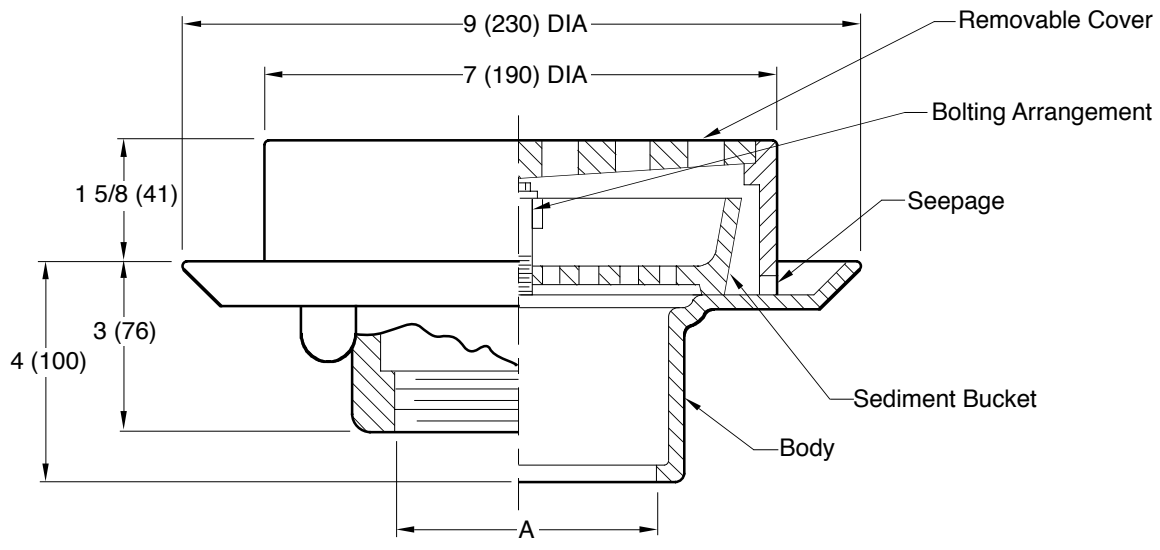


FLOOR DRAIN

FUNCTION: This drain can be used for numerous general purpose applications in all types of buildings.



A(pipe Size) = 02(50), 03(75) or 04(100)

- Fig. 2109C . . . CAULK OUTLET
- Fig. 2109T . . . THREADED OUTLET

REGULARLY FURNISHED:
 Duco Cast Iron Body Sediment Bucket and Grate.

- VARIATIONS:**
- Flat Bottom Strainer -FBS
 - Non-Tilting Grate L/ Bucket (Specify Fig. 2108)
 - Side Outlet
 - L Speedi-Set Service Weight Outlet
 - LXH Speedi-Set Extra Heavy Outlet
 - Y No-Hub Outlet
 - Quad Close Trap Seal (Specify Fig. 2692)

OPTIONAL MATERIALS:
 All Galvanized -G

NOTE: Dimensions shown in parentheses are in millimeters.

DRAWING NUMBER S2109
 SIZE A
 SCALE: NONE
 DATE: 12-9-71
 APPROVED BY: BH
 CHECKED BY: BH
 DRAWN BY: TO
 FIGURE NUMBER 2109

WE CAN ASSUME NO RESPONSIBILITY FOR USE OF SUPERSEDED OR VOID DATA

REV.	DATE	DESCRIPTION	BY	CKD. BY	WEIGHT POUNDS	VOLUME CUBIC FEET	FIGURE NUMBER 2109
		J 7-3-18 Revised Variations, Pipe Size mm H 3-1-16 Revised Optional Materials G 6-10-15 Revised Variations F 11-09-07 Added Variations	TBW	CL			
			TBW	CL			
			TBW	CL			
			JJ	CL			