

D



JAY R. SMITH MFG. CO.®
 MEMBER OF MORRIS GROUP INTERNATIONAL
 POST OFFICE BOX 3237
 MONTGOMERY, ALABAMA 36109-0237 (USA)
 TEL: 334-277-8520 FAX: 888-377-7818 www.jrsmith.com



MEMBER OF:

LOCATION

FormIt® DRAIN INSTALLATION DEVICE FOR (8 1/2" DIA. TOP) CAST IRON FLOOR DRAINS

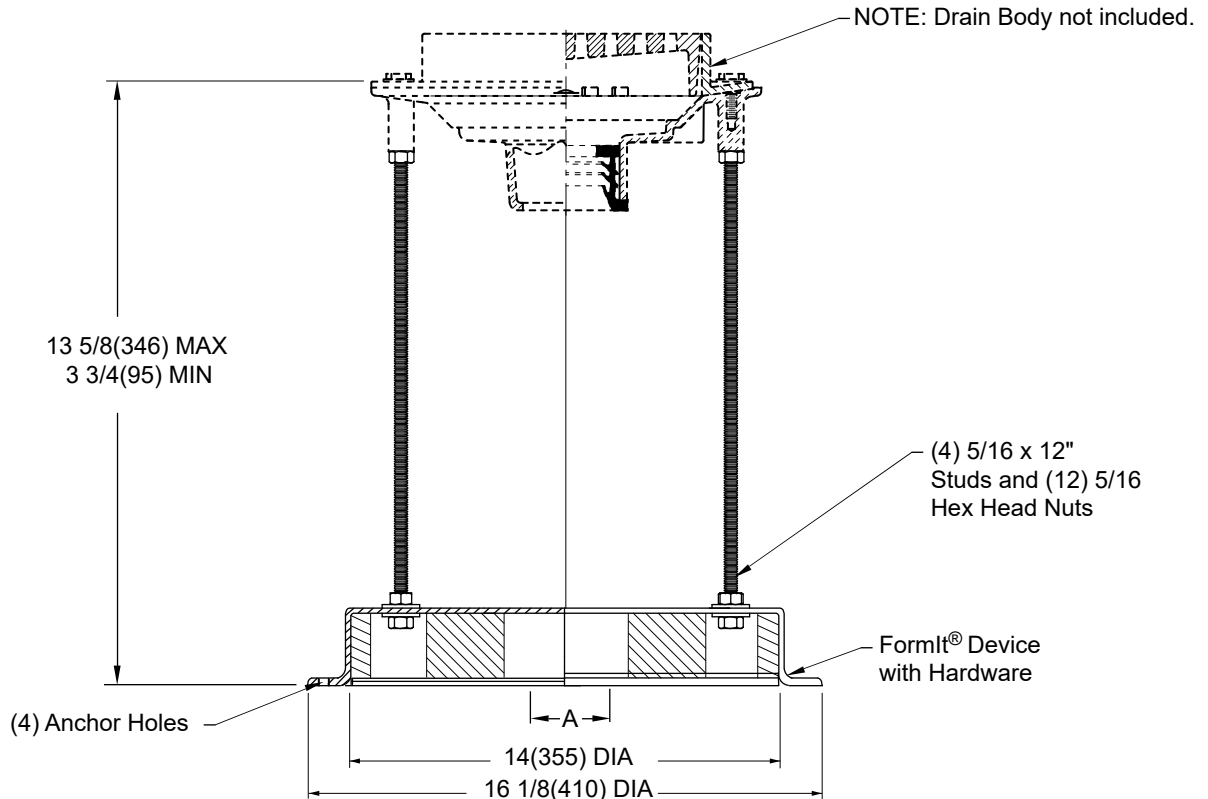
DRAWING NUMBER
s2039-DIDSIZE
ASCALE:
NONEDATE:
8-27-08APPROVED BY:
BWCHECKED BY:
BWDRAWN BY:
RN

2039-DID

FIGURE NUMBER

WE CAN ASSUME NO RESPONSIBILITY FOR USE OF SUPERSEDED OR VOID DATA

DIMENSIONS ARE SUBJECT TO MANUFACTURERS TOLERANCE AND CHANGE WITHOUT NOTICE



A= Pipe Size 02, 03, 04 and 06

REGULARLY FURNISHED:

FormIt® Device is provided with hardware.
 Stud holes on 9 3/4" bolt circle for 8 1/2" Dia.
 top drain.

NOTE: Dimensions shown in
 parentheses are in millimeters.

REV.	DATE	DESCRIPTION	BY	CKD. BY	WEIGHT POUNDS	VOLUME CUBIC FEET	FIGURE NUMBER
D	8-10-23	Removed Function	HS	CL			2039-DID
C	7-18-22	Removed/revised notes	KK	CL			
B	7-7-10	Revised™ to ®	RN	BW			



WARNING: Cancer and Reproductive Harm - www.P65Warnings.ca.gov