

E

SMITH® JAY R. SMITH MFG. CO.®
 MEMBER OF MORRIS GROUP INTERNATIONAL
 POST OFFICE BOX 3237
 MONTGOMERY, ALABAMA 36109-0237 (USA)
 TEL: 334-277-8520 FAX: 334-272-7396 www.jrsmith.com



LOCATION

FLOOR OR SHOWER DRAIN WITH FormIt® DRAIN INSTALLATION DEVICE

Load Rating: Light Duty having a Safe Live load less than 2,000 lbs. (900 kg) per ASME A112.6.3 Floor Drain Standard. For the specific Safe Live Load rating of any grate, contact the Smith representative or factory direct.

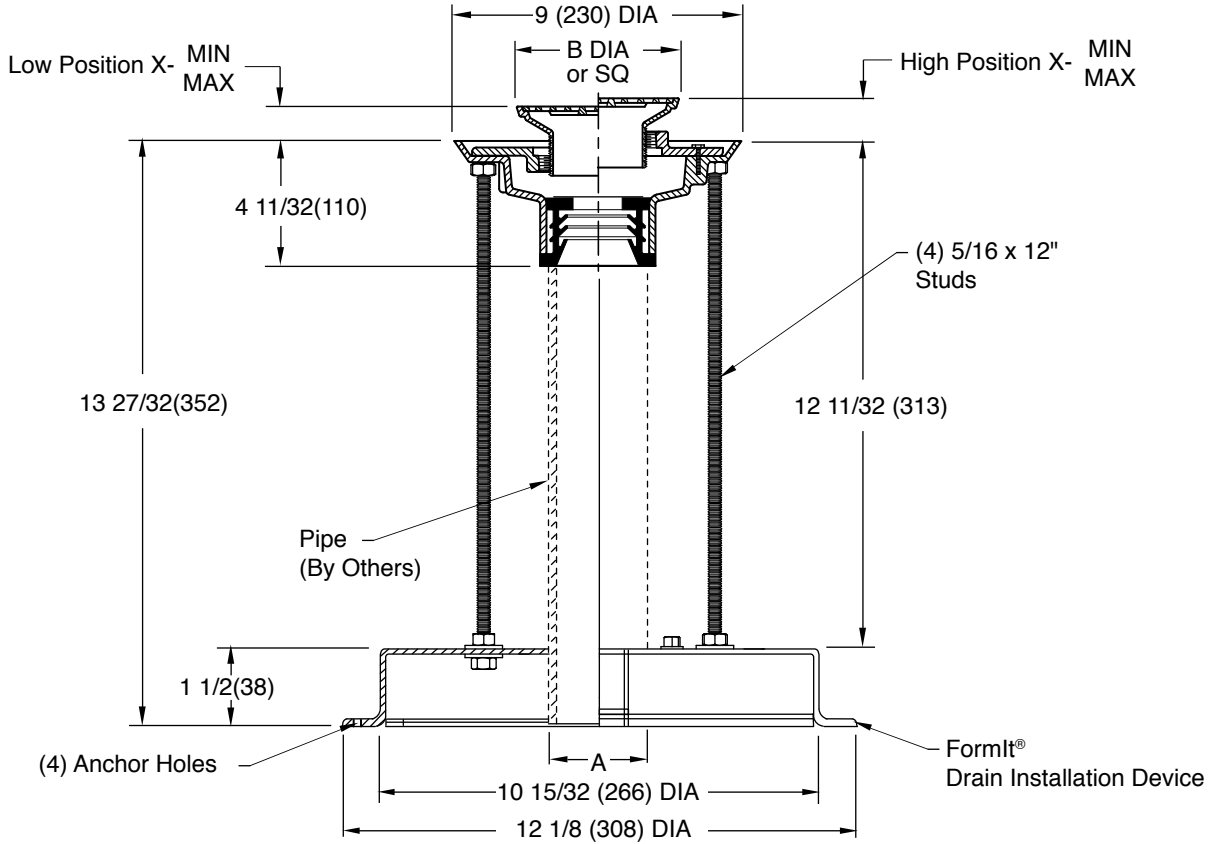


Fig. 2038L.....(A) Round Top
 Fig. 2038L.....(B) Square Top

Outlet Size	Nickel Bronze Strainer Head
▲ 02(50)	05(125) DIA or SQ
▲ 03(75)	06(150) DIA or SQ
▲ 04(100)	08(205) DIA or SQ

Strainer Size	*Collar In High Position		*Collar In Low Position		Free Area SQ IN (SQ CM)	
	MIN	MAX	MIN	MAX	ROUND	SQUARE
B	X		XX			
DIA or SQ						
05 (125)	1 1/4 (32)	2 1/4 (57)	3/4 (19)	1 5/8 (41)	7 (45)	6.5 (42)
06 (150)	1 1/4 (32)	2 1/4 (57)	3/4 (19)	1 5/8 (41)	9 (58)	12.5 (81)
07 (180)	1 1/4 (32)	2 1/4 (57)	7/8 (22)	1 7/8 (48)	14 (90)	11 (71)
08 (205)	1 1/2 (38)	2 1/2 (64)	1 (25)	1 7/8 (48)	17 (110)	14 (90)
*09 (230)	1 1/2 (38)	2 3/8 (60)	1 (25)	1 7/8 (48)	18 (116)	16 (103)
*10 (255)	1 1/2 (38)	2 3/8 (60)	1 (25)	1 7/8 (48)	23 (148)	16 (103)

REGULARLY FURNISHED:

Duco Cast Iron Body with Speedi-Set Outlet and Adjustable Strainer Head (as specified) with FormIt® Drain Installation Device and Hardware.

▲ Meets ANSI Spec A112.6.3-2001 02(50), 03(75) or 04"(100) sizes only.

NOTE: Dimensions shown in parentheses are in millimeters.

VARIATIONS:

- Flapper Type Backwater Valve -V
- Hinged Grate -H
- Sediment Bucket -B
- Trap Primer Connection -P050
- 1/2" (13) & -P075 3/4" (19)
- Vandal Proof Screws -U
- T Threaded Outlet

OPTIONAL MATERIALS:

- Bronze Body -BB
- Chrome Plated Strainer -CP
- Galvanized Cast Iron Body -G
- Nickel Bronze Strainer -NB
- Polished Bronze Strainer -PB
- Stainless Steel Body and Strainer Head -SS

DRAWING NUMBER s2038

SIZE A

SCALE: NONE

DATE: 8-27-08

APPROVED BY: BW

CHECKED BY: BW

DRAWN BY: RN

2038

DIMENSIONS ARE SUBJECT TO MANUFACTURERS TOLERANCE AND CHANGE WITHOUT NOTICE WE CAN ASSUME NO RESPONSIBILITY FOR USE OF SUPERSEDED OR VOID DATA

REV.	DATE	DESCRIPTION	BY	CKD. BY	WEIGHT POUNDS	VOLUME CUBIC FEET	FIGURE NUMBER
							2038