

# FLOOR DRAINS AND ACCESSORIES

200 Series

TAG \_\_\_\_\_  
\_\_\_\_\_

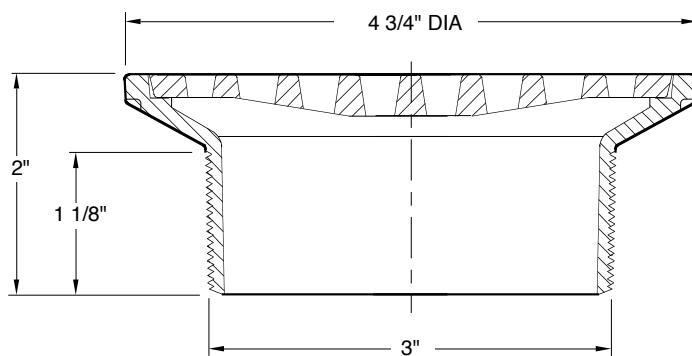
## Nickel Bronze Adjustable Strainer Head, Series 201

### Product Description:

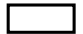
Round nickel bronze strainer head with secured grate

### Features and Benefits:

- 3" NPT tapered thread shank
- Heel proof openings



Series 201-T03

Series Number	Description	Top Size	Pipe Size
 201-T03	Round Nickel Bronze Strainer (Light Duty)	4-3/4"	3"

NOTE: Dimensional data is subject to manufacturing tolerances and change without notice.

