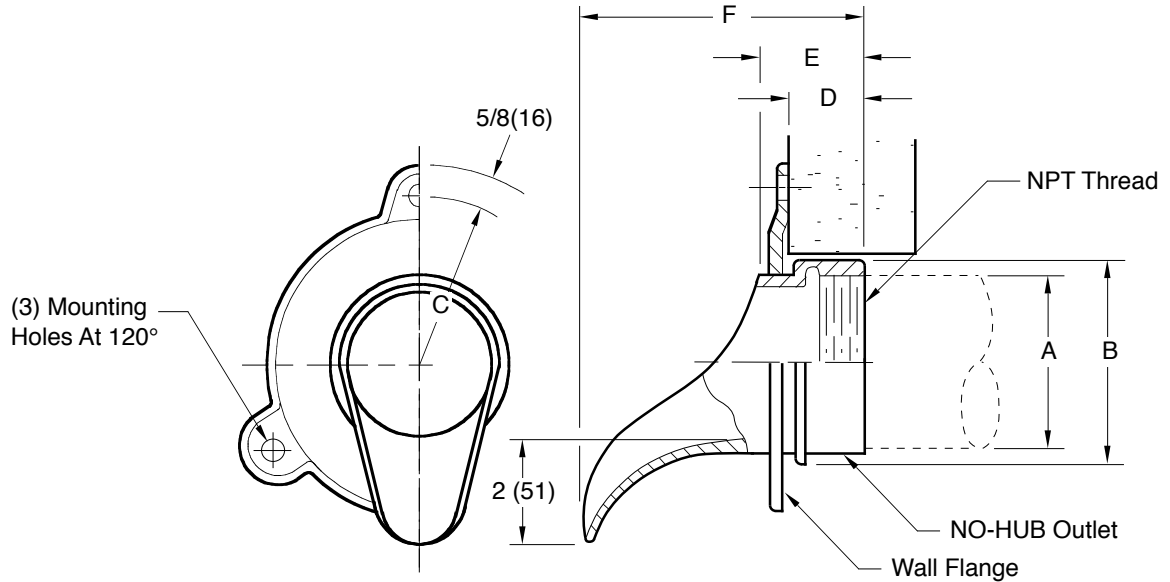


# ROOF ACCESSORY

## DOWNSPOUT NOZZLE



**NOTE:** For ADA Compliant  
 See Fig. 1770-ADA

Fig. 1770T.....Threaded Outlet  
 Fig. 1770Y.....NO-HUB Outlet 02(50), 03(75), 04(100) and 06(150)  
 \*\* When -NB is specified with NO-HUB outlet, ALL SIZES will be supplied with a 2646Y NO-HUB adaptor.

A=PIPE	02(50)	03(75)	04(100)	05(125)	06T(150)	06Y(150)	08(200)	10(255)	12(305)
B=DIA	2 3/4 (70)	4 (100)	5 (125)	6 (150)	7 1/4 (185)	7 1/4 (185)	9 1/4 (235)	11 1/8 (283)	13 1/4 (335)
C=RAD	2 3/4 (70)	3 1/2 (89)	3 7/8 (98)	4 3/8 (111)	5 (125)	5 (125)	5 7/8 (149)	7 1/4 (185)	8 (205)
D	1 3/8 (35)	1 3/8 (35)	1 3/8 (35)	1 3/8 (35)	1 3/8 (35)	1 13/16 (46)	1 5/8 (41)	1 3/4 (44)	2 (51)
E	2 1/16 (52)	2 1/16 (52)	2 1/16 (52)	2 1/16 (52)	2 1/16 (52)	2 1/2 (64)	2 3/8 (60)	2 3/4 (70)	2 15/16 (75)
F	5 5/8 (143)	5 5/8 (143)	5 5/8 (143)	5 5/8 (143)	5 5/8 (143)	6 1/4 (160)	5 15/16 (149)	5 3/8 (138)	7 9/16 (192)

**REGULARLY FURNISHED:**  
 Cast Bronze Nozzle and Flange.

**VARIATIONS:**  
 Bird Screen -BS  
 \*  NO-HUB Adaptor (specify Fig. 2646Y)  
 [5"(125), 8"(200), 10"(255)  
 and 12"(305) only]

**OPTIONAL MATERIALS:**  
 \*\*  Nickel Bronze -NB  
 Polished Bronze -PB  
 Chrome Plated -CP

**NOTE:** Dimensions shown in parentheses are in millimeters.

DRAWING NUMBER S1770  
 SIZE A  
 SCALE: NONE  
 DATE: 2-25-85  
 APPROVED BY: JD  
 CHECKED BY: JD  
 DRAWN BY: CR  
 DIMENSIONS ARE SUBJECT TO MANUFACTURERS TOLERANCE AND CHANGE WITHOUT NOTICE

REV.	DATE	DESCRIPTION	BY	CKD. BY	WEIGHT POUNDS	VOLUME CUBIC FEET	FIGURE NUMBER <b>1770</b>
	2-11-21 8-30-19 10-18-18 5-26-16	Removed Function Rev. Opt. Mat./Added Note ** Added Note ADA Compliant Rev. Optional Materials	KK MW TBW TBW	AM CL TK			