

F



LOCATION

SCUPPER DRAINS

Used at junction of roof and parapet. Side outlet (90°) drains may be connected to outside downspout by using drain in conjunction with Fig. 1550 downspout adaptor. When connecting to an inside leader, the 45° outlet drains may be easily offset into the wall. The flush grate prevents obstruction to traffic. The angle grate prevents debris from blocking drainage.
 Load Rating: Non-Traffic Areas

DRAWING NUMBER
S1510

SIZE
A

SCALE:
NONE

DATE:
1-14-85

APPROVED BY:
SB

CHECKED BY:
SB

DRAWN BY:
PL

1510, 1520, 1530, 1540

FIGURE NUMBER

WE CAN ASSUME NO RESPONSIBILITY FOR USE OF SUPERSEDED OR VOID DATA

DIMENSIONS ARE SUBJECT TO MANUFACTURERS TOLERANCE AND CHANGE WITHOUT NOTICE

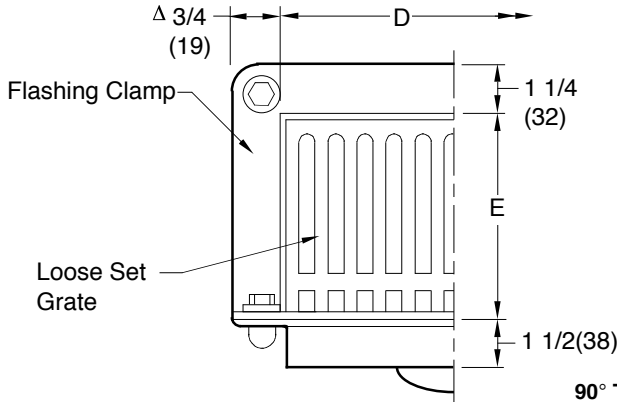
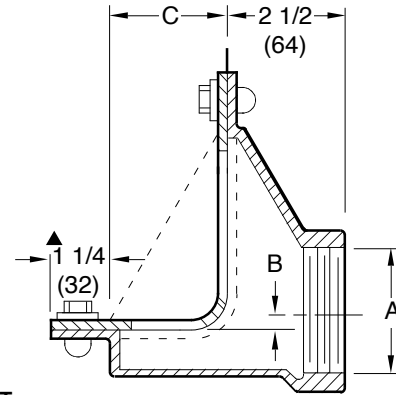


Fig. 1520 Shown



90° THREADED OUTLET

- Fig. 1510T ANGLE GRATE
- Fig. 1520T FLUSH GRATE

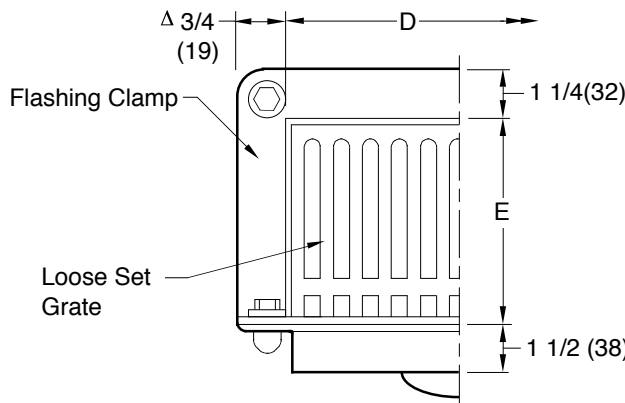
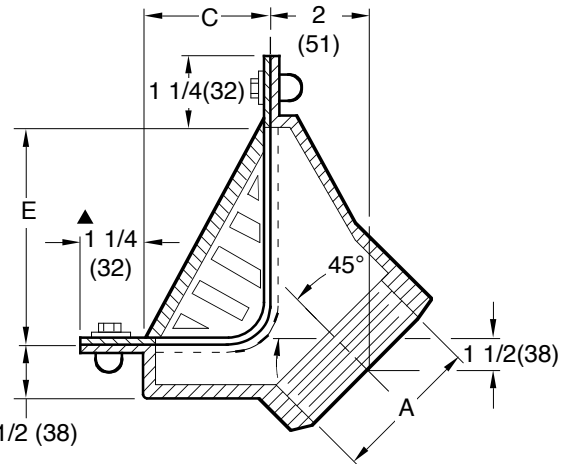


Fig. 1530 Shown



45° THREADED OUTLET

- Fig. 1530T ANGLE GRATE
- Fig. 1540T FLUSH GRATE

A SIZE	B	C	D	E	FREE AREA	
					ANGLE	FLUSH
02(50)	*				17.75	20
03(75)	1/4(6)				SQ IN	SQ IN
04(100)	1(25)	3 1/4 (83)	8 3/4 (220)	5 (125)	(115)SQ CM	(129) SQ CM
05(125)	1 3/4(44)	4 1/4 (110)	10 1/2 (265)	6 1/2 (165)	35SQ IN	40 SQ IN
06(150)	1 3/4(44)	(110)	(265)	(165)	(226)SQ CM	(258) SQ CM

* 02"(50) Size 1510/1520 "B" Dimension is 1/4"(6) Below Flange, Not Above as Shown.
 Δ For 05(125) & 06"(150) size add 1/2(13)".
 ▲ For 05(125) & 06"(150) size reduce by 3/16(5)".

REGULARLY FURNISHED:

Duco Cast Iron Body, Flashing Clamp and Loose Set Grate. Type of Outlet and Grate as indicated by Figure Number Selected.

NOTE: Dimensions shown in parentheses are in millimeters.

VARIATIONS:

- Downspout Adaptor (Specify Fig. 1550)
- Secured Grate -SEC
- Secured Grate with Vandal Proof Screws -U

OPTIONAL MATERIALS:

- Galvanized Cast Iron -G
- Nickel Bronze Face -NB
- Polished Bronze Face -PB
- Rough Bronze Face -RB
- Stainless Steel (Specify Fig. 9785)

F	8-23-19	Added Load Rating	MW	JM	WEIGHT POUNDS	VOLUME CUBIC FEET	FIGURE NUMBER 1510, 1520, 1530, 1540
E	11/23/09	Secured Grate was -SG	JJ	CL			
D	6-16-99	Revised Millimeters	CMD	BS			
C	7-1-96	Added Millimeters	CMD	BS			
REV.	DATE	DESCRIPTION	BY	CKD. BY			