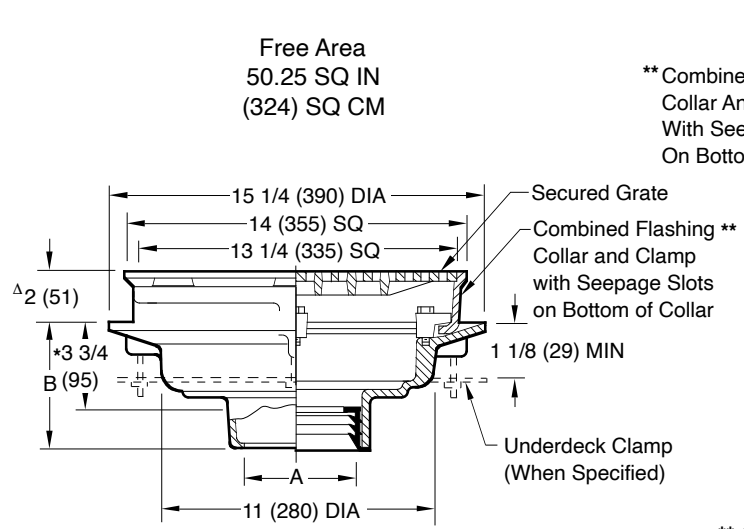


PROMENADE DECK DRAINS

LARGE - 14" (355) DECK DRAINS

Used in flat roofs and decks which are designed for promenades for recreational purposes. Body and accessories are compatible for installation in all types of roof construction. Large square top blends in with "block" patterns and has sufficient open free area for proper drainage
 Load Rating: Medium Duty having a Safe Live (Static) Load between 2,000 lbs. (900 kg) and 4,999 lbs. (2,250 kg) per ASME A112.6.3 Floor Drain Standard. For the specific Safe Live Load rating of any grate, contact the Smith representative or factory direct.

Free Area
 50.25 SQ IN
 (324) SQ CM



- Fig. 1410C CAULK OUTLET
- Fig. 1410Y NO-HUB OUTLET

*This Dimension to Internal Stop of Speedi-Set Gasket.
 **Specify Suffix-W for Applications Requiring "Loose-Set" Pavers.

A Size	B	
	Caulk, NO-HUB, & Speedi-Set	Threaded
02(50),03(75),04(100),05(125),06(150)	5 (125)	3 3/4 (95)

Δ Add 1/8" (3) when bronze top is specified.

recommended deck opening

with suffix -R	17 (430) DIA
less Suffix -R	14 (355) DIA

NOTES: Specify Secondary Flashing Clamp when Drain is to be Flashed at Flange below insulation.

Floor drains or area drains used to drain areas subject to rainfall should have an open area equal to twice the cross sectional area of the connecting pipe.

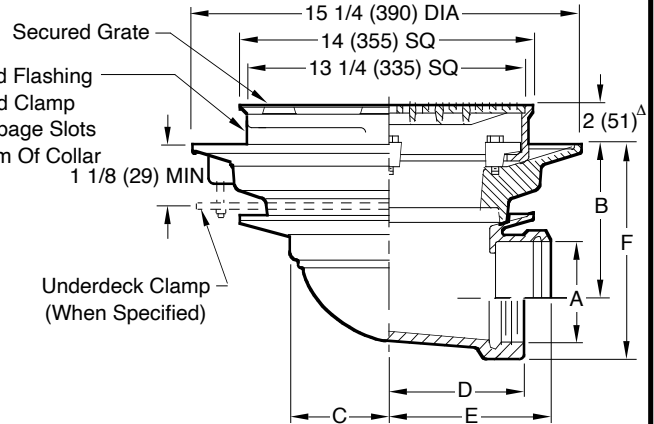
VARIATIONS:

- 3 3/4" (95) Deep Body (Fig. 1410 only)
- Ductile Iron Undergrate with Vandal Proof Polished Bronze Top Veneer (Specify Fig. 1412)
- Ductile Iron Undergrate with Vandal Proof Nickel Bronze Top Veneer (Specify Fig. 1412)
- Expansion Joint (Specify Fig. 1710)
- Extension -E (Specify Height)
- "L" Shaped Underdeck Clamp -CL
- L Speedi-Set Service Weight 02(50), 03(75) & 04"(100) sizes only (Fig. 1410 only)
- LXH Speedi-Set Extra Heavy 02(50), 03(75) & 04"(100) sizes only (Fig. 1410 only)
- NO-HUB Adaptor (Specify Fig. 2646Y) (Fig. 1420 only)
- Secondary Flashing Clamp -C2
- Sump Receiver -R
- Underdeck Clamp -C
- Vandal Proof Grate -U
- T Threaded Outlet
- Sediment Bucket -B

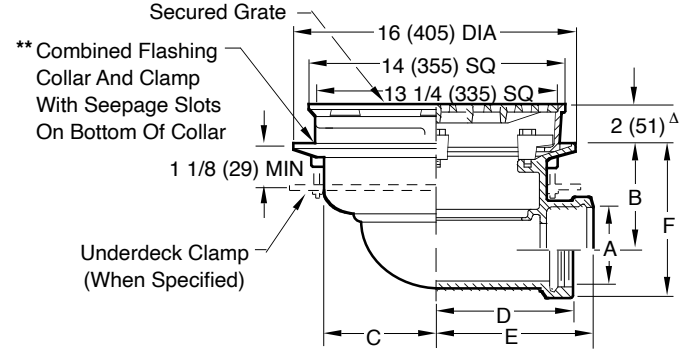
OPTIONAL MATERIALS:

- Ductile Iron Grate -M
- Galvanized Cast Iron -G
- Nickel Bronze Top -NB
- Polished Bronze Top -PB

NOTE: Dimensions shown in parentheses are in millimeters.



- Fig. 1420C 02(50), 03(75) & 04"(100) CAULK OUTLET
- Fig. 1420T 02(50), 03(75) & 04"(100) THREADED OUTLET



- Fig. 1420C 05(125) & 06"(150) CAULK OUTLET
- Fig. 1420T 05(125) & 06"(150) THREADED OUTLET

A SIZE	02 (50)	03 (75)	04 (100)	05 (125)	06 (150)
B	6 7/8 (175)	6 3/8 (162)	5 7/8 (149)	5 (125)	4 1/2 (115)
C	4 3/4 (120)	4 3/4 (120)	4 3/4 (120)	6 1/4 (160)	6 1/4 (160)
D	6 (150)	6 (150)	6 (150)	6 5/8 (168)	6 7/8 (175)
E	7 1/4 (185)	7 1/2 (190)	7 3/4 (195)	7 3/4 (195)	7 3/4 (195)
F	8 5/8 (219)	8 3/4 (220)	8 3/4 (220)	8 1/2 (215)	8 1/2 (215)

DRAWING NUMBER S1410
 SIZE A
 SCALE: NONE
 DATE: 3-1-85
 APPROVED BY: TD
 CHECKED BY: TD
 DRAWN BY: WAS
 DIMENSIONS ARE SUBJECT TO MANUFACTURERS TOLERANCE AND CHANGE WITHOUT NOTICE

REV.	DATE	DESCRIPTION	BY	CKD. BY	WEIGHT POUNDS	VOLUME CUBIC FEET	FIGURE NUMBER
	7-13-20	Revised Variations	MW	JT			1410, 1420
	8-19-19	Added Load Rating, Rev. Furn.	MW	JM			
	2/2/01	Rev. Opt. Mat.	RN				
	12/13/99	Submittal Update	JJ	BS			