

Z
 DRAWING NUMBER S1409
 SIZE A
 SCALE: NONE
 DATE: 3-1-85
 APPROVED BY: TD
 CHECKED BY: TD
 DRAWN BY: WAS
 1409
 FIGURE NUMBER

SMITH® JAY R. SMITH MFG. CO.®
 MEMBER OF MORRIS GROUP INTERNATIONAL
 POST OFFICE BOX 3237
 MONTGOMERY, ALABAMA 36109-0237 (USA)
 TEL: 334-277-8520 FAX: 888-377-7818 www.jrsmith.com
 CUSTOMER DRIVEN SINCE 1926

MEMBER OF:

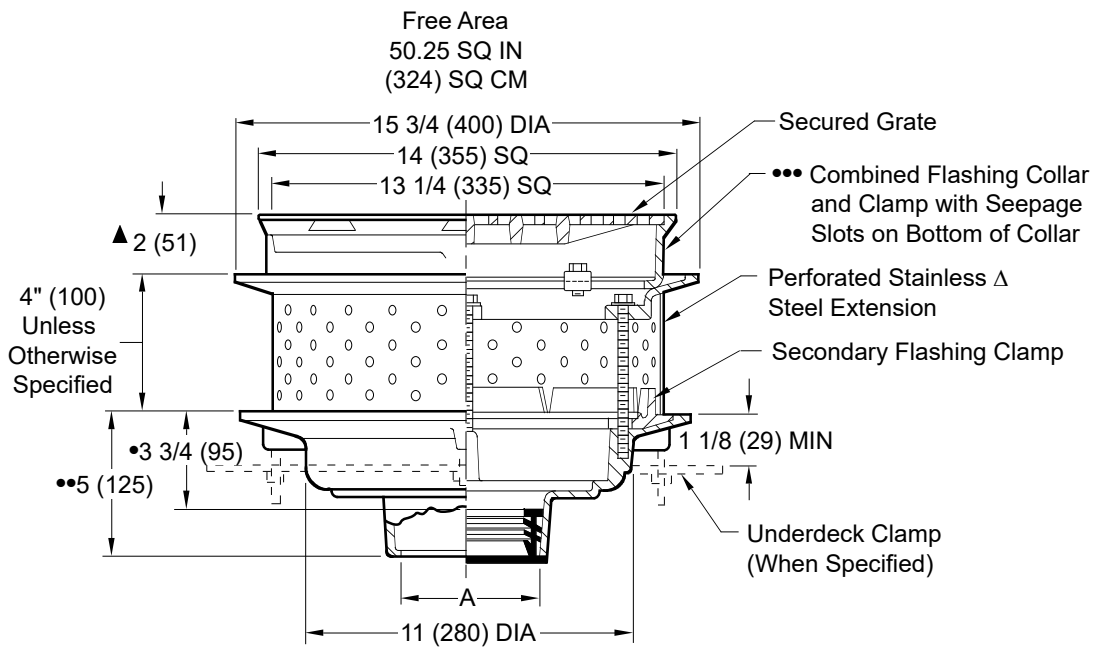



LOCATION

PROMENADE DECK DRAINS

PROMENADE DECK DRAIN FOR SPECIAL ROOF APPLICATIONS

Load Rating: Medium Duty having a Safe Live (Static) Load between 2,000 lbs. (900 kg) and 4,999 lbs. (2,250 kg) per ASME A112.6.3 Floor Drain Standard. For the specific Safe Live Load rating of any grate, contact the Smith representative or factory direct.



- This Dimension to Internal Stop of Speedi-Set® Gasket.
- Same for Caulk, NO-HUB and Speedi-Set®. 3 3/4(95) for Threaded.
- Specify Suffix -W for Applications Requiring "Loose-Set" Pavers.
- ▲ Add 1/8 "(3) when bronze top is specified.

A (Pipe Size) = 02(50), 03(75), 04(100), 05(125) and 06(150)

- Fig. 1409C CAULK OUTLET
- Fig. 1409Y NO-HUB OUTLET
- Fig. 1409T TREADED OUTLET

▲ NOTE: Extensions 2 1/2"(63) and Higher are Regularly Furnished Perforated Stainless Steel. Extensions Less Than 2 1/2"(63) are Regularly Furnished Cast Iron with 2 Rows of Seepage Holes.

recommended deck opening

with suffix-R	17(430) DIA
less suffix-R	14(355) DIA

REGULARLY FURNISHED:

Duco Cast Iron Body, Perforated Stainless Steel Extension with Secondary Flashing Clamp. Cast Iron Top Frame and Secured Square Hole ADA Grate.

VARIATIONS:

- Expansion Joint (Specify Fig. 1710)
- Extension -E (Specify Height)
- "L" Shaped Underdeck Clamp -CL
- L Speedi-Set® Service Weight 02(50), 03(75) & 04"(100) sizes only
- LXH Speedi-Set® Extra Heavy 02(50), 03(75) & 04"(100) sizes only
- Sump Receiver -R
- Underdeck Clamp -C
- Vandal Proof Grate -U
- Roof Deck Plate -RDP
- Heel Proof Grate -HP

OPTIONAL MATERIALS:

- Ductile Iron Grate -M
- Galvanized Cast Iron -G
- Nickel Bronze Top -NB
- Polished Bronze Top -PB

NOTE: Floor drains or area drains used to drain areas subject to rainfall should have an open area equal to twice the cross sectional area of the connecting pipe.

NOTE: Dimensions shown in parentheses are in millimeters.

Z	4-1-24	Revised Variations	HS	CL	WEIGHT POUNDS	VOLUME CUBIC FEET	FIGURE NUMBER
Y	3-27-24	Revised Variations, Fig. Opts.	HS	CL			
X	2-1-24	Removed Function	HS	CL	1409		
W	3-8-23	Added @ to "Speedi-Set"	KK	CL			
REV.	DATE	DESCRIPTION	BY	CKD. BY			