

D



JAY R. SMITH MFG. CO.
 MEMBER OF MORRIS GROUP INTERNATIONAL
 POST OFFICE BOX 3237
 MONTGOMERY, ALABAMA 36109-0237 (USA)
 TEL: 334-277-8520 FAX: 888-377-7818 www.jrsmith.com



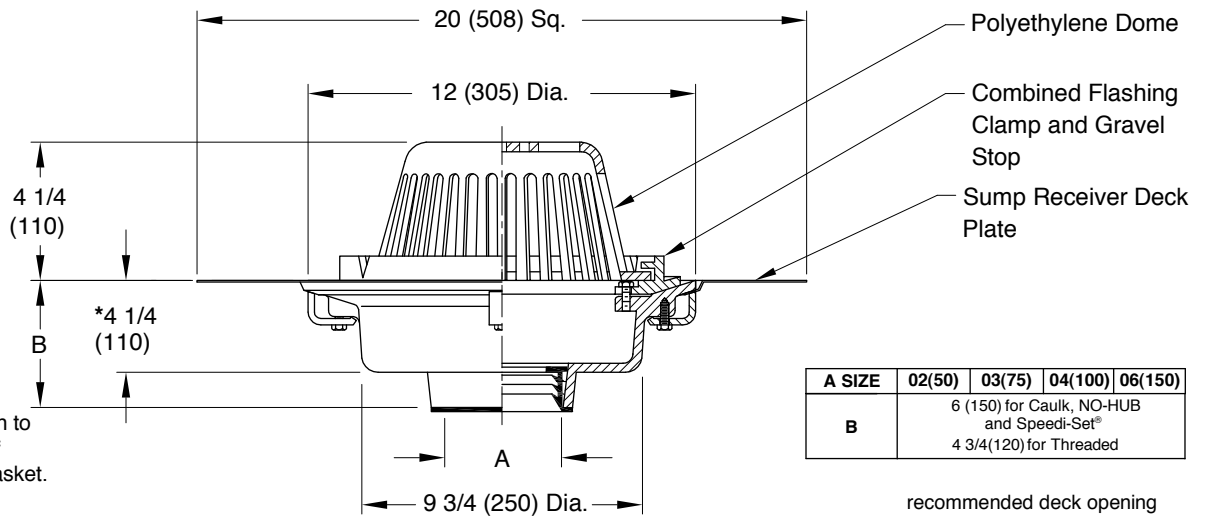
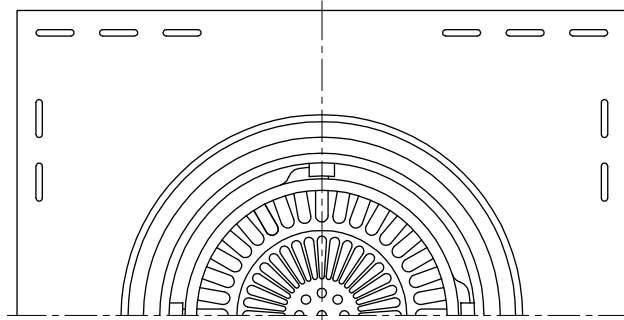
LOCATION

GENERAL PURPOSE ROOF DRAIN

12" (305) DIAMETER - LOW PROFILE DOME - WITH DECK PLATE

FUNCTION: Used in flat roof of any construction where a small sized drain is required. Low profile dome protects the drain sump and connected piping from the intrusion of debris.

Free Area
 71.5 SQ IN
 (461) SQ CM



* This Dimension to Internal Stop of Speedi-Set® Gasket.

A SIZE	02(50)	03(75)	04(100)	06(150)
B	6 (150) for Caulk, NO-HUB and Speedi-Set® 4 3/4(120) for Threaded			

recommended deck opening	
with suffix -RDP	13(230) DIA
less suffix -RDP	11(280) DIA

- Fig. 1310C (-RDP)..... CAULK OUTLET
- Fig. 1310Y (-RDP)..... NO-HUB OUTLET

REGULARLY FURNISHED:

Duco Cast Iron body with Attached Deck Plate, Combined Flashing Clamp and Gravel Stop and Polyethylene Dome.

VARIATIONS:

- L **Speedi-Set® Service Weight Outlet (Fig. 1310 only)
- LXH **Speedi-Set® Extra Heavy Duty Outlet (Fig. 1310 only)
- T Threaded Outlet Conn. Side Outlet (Specify Fig. **1320-RDP)
- Expansion Joint (Specify Fig. 1710 (Fig. 1310 only)
- Extension (Specify Height) -E
- Secondary Flashing Clamp -C2
- Vandal Proof Dome -U
- External Waterdam Collar -WD (Specify Height 2", 3", 4")

OPTIONAL MATERIALS:

- Aluminum Dome -AD
- Cast Iron Dome -CID
- Galvanized Cast Iron Dome -CIDG
- Galvanized Cast Iron Body & Collar -G
- Rough Bronze Dome -RBD

**Available in 02(50), 03(75), and 04(100) Sizes Only

NOTE: Dimensions shown in parentheses are in millimeters.

DRAWING NUMBER
S1310-RDP

SIZE
A

SCALE:
NONE

DATE:
11-03-2007

APPROVED BY:
CR

CHECKED BY:
CR

DRAWN BY:
CR

1310-RDP

FIGURE NUMBER

D	3-8-23	Added @ to "Speedi-Set" Removed NOTE Added Flow Rate Note Revised Variations
C	7-30-19	
B	11-13-15	
A	3-16-11	

KK	CL
MW	CL
TBW	BW
TBW	BW

WEIGHT POUNDS

VOLUME CUBIC FEET

FIGURE NUMBER

1310-RDP

REV.	DATE	DESCRIPTION	BY	CKD. BY
------	------	-------------	----	---------

WE CAN ASSUME NO RESPONSIBILITY FOR USE OF SUPERSEDED OR VOID DATA

DIMENSIONS ARE SUBJECT TO MANUFACTURERS TOLERANCE AND CHANGE WITHOUT NOTICE