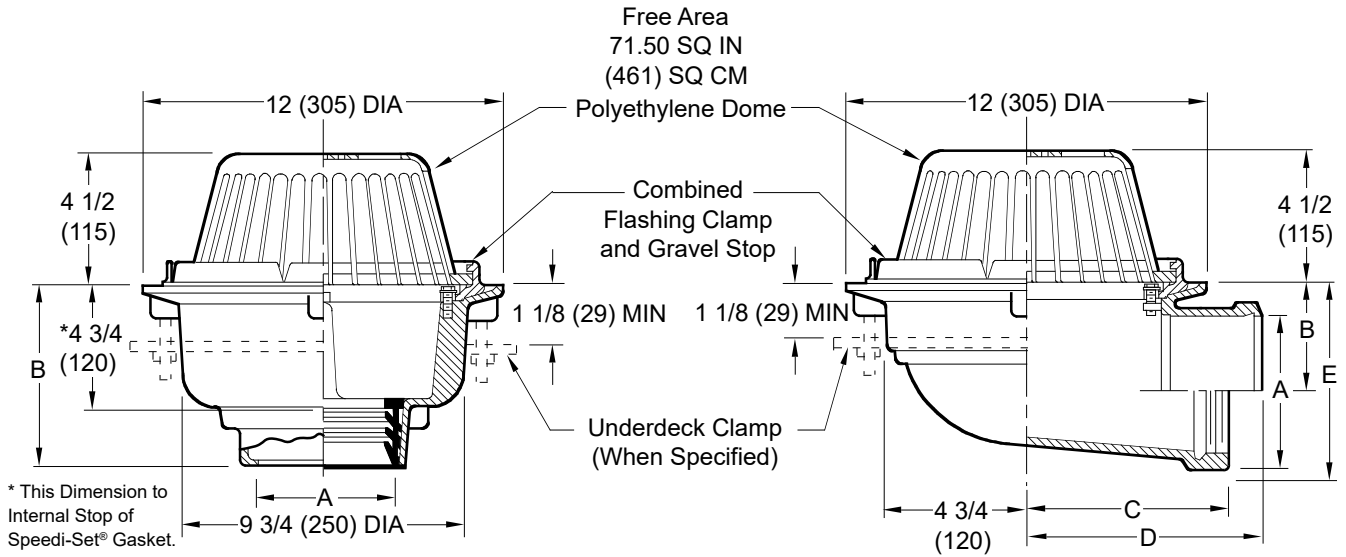


# GENERAL PURPOSE ROOF DRAINS

## 12" (305) DIAMETER - LOW PROFILE DOME



\* This Dimension to Internal Stop of Speedi-Set® Gasket.

- Fig. 1310C . . . . CAULK OUTLET
- Fig. 1310Y . . . . NO-HUB OUTLET
- Fig. 1310T . . . . THREADED OUTLET

- Fig. 1320C . . . CAULK OUTLET
- Fig. 1320Y . . . NO-HUB OUTLET
- Fig. 1320T . . . THREADED OUTLET

A SIZE	02 (50)	03 (75)	04 (100)	05 (125)	06 (150)
B	6 (150) for Caulk, NO-HUB and Speedi-Set® 4 3/4 (120) for Threaded				

recommended deck opening	
with suffix -R	13 (330) DIA
less Suffix -R	11 (280) DIA

A SIZE	02 (50)	03 (75)	04 (100)
B	4 1/2 (115)	4 (100)	3 1/2 (89)
C	6 (150)	6 (150)	6 (150)
D	7 1/4 (185)	7 1/2 (190)	7 3/4 (195)
E	6 1/2 (165)	6 5/8 (168)	6 5/8 (168)

**REGULARLY FURNISHED:**

Duco Cast Iron Body with Combined Flashing Clamp and Gravel Stop with Polyethylene Dome.

**VARIATIONS:**

- Expansion Joint (Specify Fig. 1710 Fig. 1310 only)
- Extension -E (Specify Height)
- "L" Shaped Underdeck Clamp -CL
- L Speedi-Set® Service Weight 02(50), 03(75) & 04"(100) sizes only (Fig. 1310 only)
- LXH Speedi-Set® Extra Heavy 02(50), 03(75) & 04"(100) sizes only (Fig. 1310 only)
- NO-HUB Adaptor (Specify Fig. 2646Y Fig. 1320 only)
- Secondary Flashing Clamp -C2
- Sump Receiver -R
- Underdeck Clamp -C
- Vandal Proof Dome -U
- Stainless Steel Mesh Over Dome -SSM
- Roof Deck Plate -RDP
- 02(51), 02 1/2(64), 03(76), 04(102), 05(127), or 06(152) Water Dams Available -WD02, -WD025, -WD03, -WD04, -WD05, -WD06

**OPTIONAL MATERIALS:**

- Aluminum Dome -AD
- Cast Iron Dome -CID
- Galvanized Cast Iron Body & Collar -G
- Galvanized Cast Iron Dome -CIDG
- Rough Bronze Dome -RBD

**NOTE:** Dimensions shown in parentheses are in millimeters.

DRAWING NUMBER S1310  
 SCALE: NONE  
 DATE: 5-6-85  
 APPROVED BY: TD  
 CHECKED BY: TD  
 DRAWN BY: PJ  
**1310, 1320**  
 DIMENSIONS ARE SUBJECT TO MANUFACTURERS TOLERANCE AND CHANGE WITHOUT NOTICE  
 WE CAN ASSUME NO RESPONSIBILITY FOR USE OF SUPERSEDED OR VOID DATA

Q P N M	7-12-24 3-25-24 9-28-23 3-8-23	Revised Variations Revised Variations, Fig. Opts. Removed Function Added @ to "Speedi-Set"	HS HS HS KK	KV CL CL CL	WEIGHT POUNDS	VOLUME CUBIC FEET	FIGURE NUMBER <b>1310, 1320</b>
REV.	DATE	DESCRIPTION	BY	CKD. BY			