

N
 DRAWING NUMBER S1085
 SIZE A
 SCALE: NONE
 DATE: 5-24-85
 APPROVED BY: TD
 CHECKED BY: TD
 DRAWN BY: PJ
 FIGURE NUMBER 1085, 1089

SMITH® JAY R. SMITH MFG. CO.®
 MEMBER OF MORRIS GROUP INTERNATIONAL
 POST OFFICE BOX 3237
 MONTGOMERY, ALABAMA 36109-0237 (USA)
 TEL: 334-277-8520 FAX: 888-377-7818 www.jrsmith.com

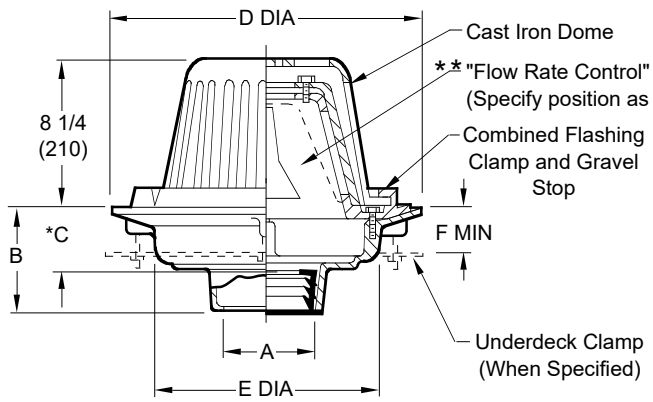
PDI INSTITUTE
 ASPE
 MEMBER OF:

LOCATION

LARGE SPECIAL PURPOSE ROOF DRAINS

RAINTROL® ROOF DRAIN SLOPED ROOF DESIGN

Free Area
122 SQ IN
(787) SQ CM



- Fig. 1085CCAULK OUTLET
- Fig. 1085Y.....NO-HUB OUTLET
- Fig. 1085TTHREADED OUTLET

*This Dimension to Internal Stop of Speedi-Set® Gasket.

NOTE: Please call our main office or your local Representative if more information on selection, sizing and placement of our Raintrol® roof drains is required.

recommended deck opening

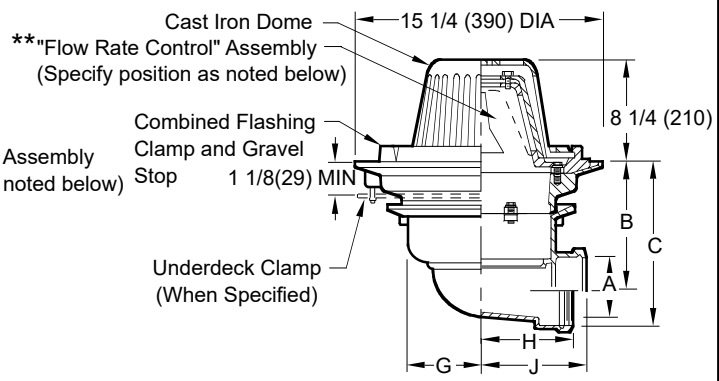
outlet size	with suffix-R	less suffix-R
02(50),03(75),04(100)	17(430)	14(355)
05(125),06(150)	DIA	DIA

A SIZE	B (BOTTOM OUTLET)						SIDE OUTLET		
	CAULK, NO-HUB, & SPEEDI-SET®	THREADED	C	D DIA	E DIA	F MIN	G	H	J
02(50),03(75),04(100)	5(125)	3 3/4(95)	3 3/4(95)	15 1/4 (390)	11(280)	1 1/8(29)	4 3/4(120)	6(150)	10(254)
05(125)	5(125)	3 3/4(95)	3 3/4(95)	15 1/4(390)	11(280)	1 1/8(29)	6 1/4(160)	6 7/8(175)	10(254)
06(150)	5(125)	3 3/4(95)	3 3/4(95)	15 1/4(390)	11(280)	1 1/8(29)	6 1/4(160)	6 7/8(175)	7 3/4(196)

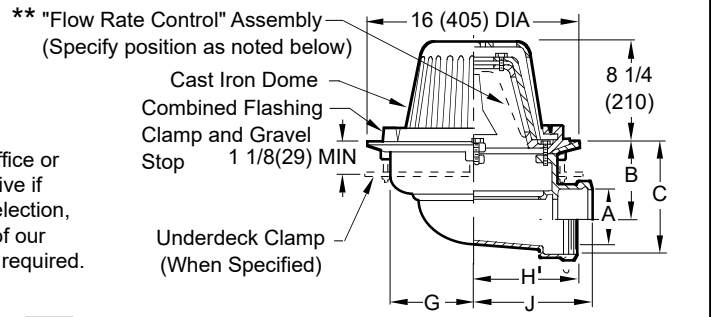
REGULARLY FURNISHED:
 Duco Cast Iron Body with Combined Flashing Clamp and Gravel Stop with Adjustable "Flow Rate Control" Assembly and Cast Iron Dome.

- VARIATIONS:**
- Expansion Joint (Specify Fig. 1710) (Fig. 1085 only)
 - Extension -E (Specify Height)
 - "L" Shaped Underdeck Clamp -CL
 - L Speedi-Set® Service Weight
02(50), 03(75) & 04"(100) sizes only (Fig. 1085 only)
 - LXH Speedi-Set® Extra Heavy
02(50), 03(75) & 04"(100) sizes only (Fig. 1085 only)
 - NO-HUB Adaptor (Specify Fig. 2646Y) (Fig. 1088 only)
 - Secondary Flashing Clamp -C2
 - Sump Receiver -R
 - Underdeck Clamp -C
 - Vandal Proof Dome -U
 - Roof Deck Plate -RDP

NOTE: Dimensions shown in parentheses are in millimeters.



- Fig. 1089C02(50), 03(75) & 04"(100) CAULK OUTLET
- Fig. 1089T.....02(50), 03(75) & 04"(100) THREADED OUTLET



- Fig. 1089C05(125) & 06"(150) CAULK OUTLET
- Fig. 1089T.....05(125) & 06"(150) THREADED OUTLET

(SIDE OUTLET)

A SIZE	02(50)	03(75)	04(100)	05(125)	06(150)
B	6 7/8 (175)	6 3/8 (162)	5 7/8 (149)	5 (125)	4 1/2 (115)
C	8 5/8 (219)	8 3/4 (220)	8 3/4 (220)	8 1/2 (215)	8 1/2 (215)

- OPTIONAL MATERIALS:**
- Aluminum Dome -AD
 - Galvanized Cast Iron Body & Collar -G
 - Galvanized Cast Iron Dome -CIDG

ALWAYS SPECIFY NUMBER OF WEIR OPENINGS

(-WR1)	(-WR2)	(-WR3)	(-WR4)

****NOTE:**
 (-WR1) 1 WEIR OPENING
 (-WR2) 2 WEIR OPENING
 (-WR3) 3 WEIR OPENING
 (-WR4) 4 WEIR OPENING

REV.	DATE	DESCRIPTION	BY	CKD. BY	WEIGHT POUNDS	VOLUME CUBIC FEET	FIGURE NUMBER
							1085, 1089