

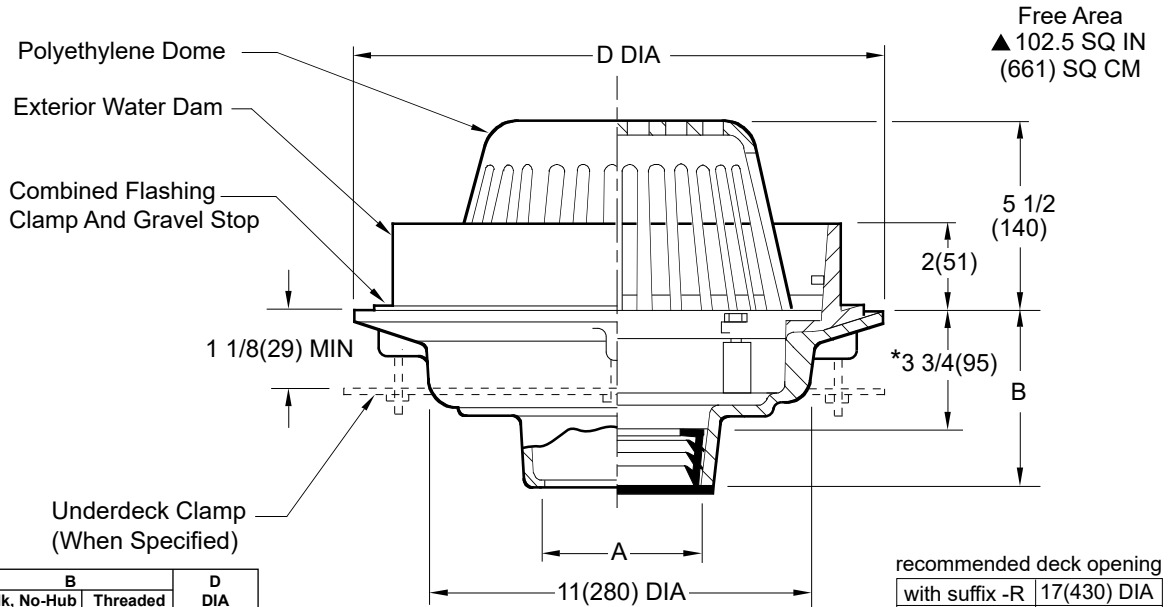
Q  
 DRAWING NUMBER S1080  
 SIZE A  
 SCALE: NONE  
 DATE: 8-19-83  
 APPROVED BY: JD  
 CHECKED BY: JD  
 DRAWN BY: CR  
 FIGURE NUMBER 1080

WE CAN ASSUME NO RESPONSIBILITY FOR USE OF SUPERSEDED OR VOID DATA

DIMENSIONS ARE SUBJECT TO MANUFACTURERS TOLERANCE AND CHANGE WITHOUT NOTICE

# SPECIAL PURPOSE ROOF DRAINS

## WATER DAM TYPE



| A SIZE                    | B Caulk, No-Hub Speedi-Set® | Threaded  | D DIA       |
|---------------------------|-----------------------------|-----------|-------------|
| 02(50), 03(75)<br>04(100) | 5(125)                      | 3 3/4(95) | 15 1/4(390) |
| 05(125), 06(150)          | 5(125)                      | 3 3/4(95) | 15 1/4(390) |
| 08(200)-16<br>10(250)-16  | 6(150)                      | 5(125)    | 16(405)     |

A (Pipe Size) 02(50), 03(75), 04(100), 05(125), 06(150), 08(200)-16 or ▲10(250)-16

- Fig. 1080C . . . . CAULK OUTLET
- Fig. 1080Y . . . . NO-HUB OUTLET
- Fig. 1080T . . . . THREADED OUTLET

\*This Dimension to Internal Stop of Speedi-Set® Gasket

**NOTE:** 08(200) & 10(250) outlet sizes are regularly furnished with a 20(510) dia. flange see back sheet. For 16(405) dia. flange it must be specified as -16. Ex: 1010Y08-16

**REGULARLY FURNISHED:**  
 Duco Cast Iron Body, Flashing Clamp and Gravel Stop with Polyethylene Dome, and Cast Iron Water Dam.

**NOTE:** Dimensions shown in parentheses are in millimeters.

▲When 10(250)-16 outlet size is specified dome height becomes 8 1/4(210) and free area of 122.5 SQ IN (790 SQ CM), furnished in cast iron and is not available in polyethylene.

- VARIATIONS:**
- Adjustable Extension(Specify Fig. 1045)
  - Expansion Joint (Specify Fig. 1710)
  - Extension -E (Specify Height)
  - "L" Shaped Underdeck Clamp -CL
  - L Speedi-Set® Service Weight  
02(50), 03(75) & 04(100)" sizes only
  - LXH Speedi-Set® Extra Heavy  
02(50), 03(75) & 04(100)" sizes only
  - Secondary Flashing Clamp -C2
  - Sump Receiver -R
  - Underdeck Clamp -C
  - Vandal Proof Dome -U
  - 2 1/2(64), 3(76) or 4"(100) Water Dams  
Available -WD025, -WD03, -WD04
  - Roof Deck Plate -RDP

- OPTIONAL MATERIALS:**
- ▲▲  Aluminum Dome -AD
  - ▲▲  Cast Iron Dome -CID
  - ▲▲  Galvanized Cast Iron -G
  - ▲▲  Galvanized Cast Iron Dome -CIDG
  - ▲▲  Rough Bronze Dome -RBD

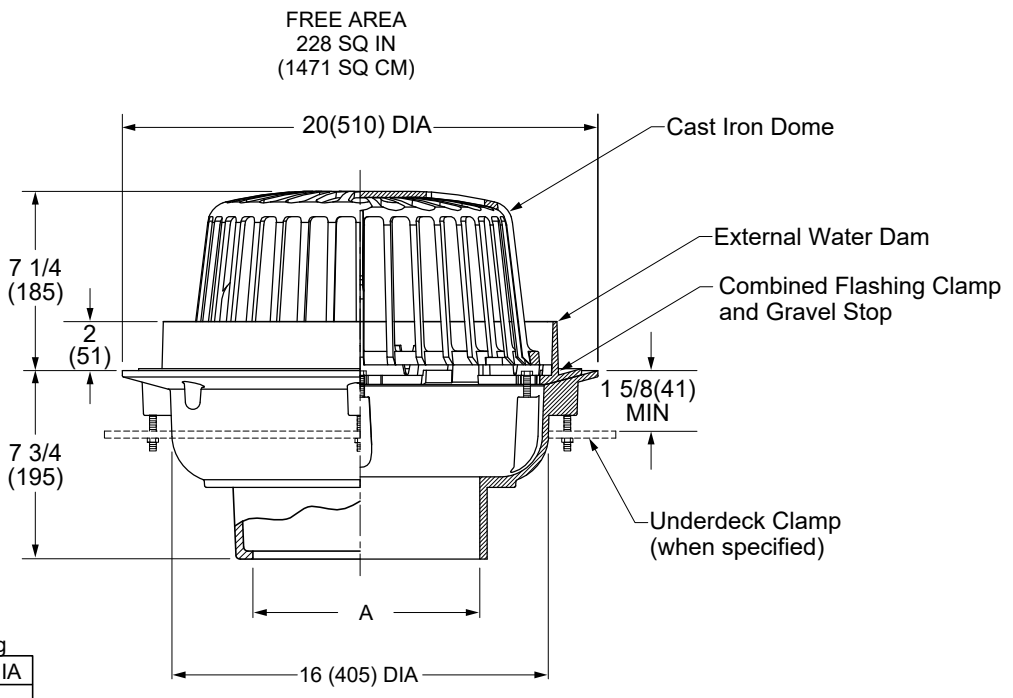
▲▲Optional domes' free area are as follows:  
 Aluminum 98 (632)  
 Cast Iron 80 (516)  
 Bronze 95 (613)

| Q<br>P<br>N<br>M | 3-25-24<br>7-18-23<br>3-8-23<br>7-30-19 | Revised Variations<br>Removed Function<br>Added @ to "Speedi-Set"<br>Removed NOTE | HS<br>HS<br>KK<br>MW | CL<br>CL<br>CL<br>CL | WEIGHT<br>POUNDS | VOLUME<br>CUBIC FEET | FIGURE NUMBER<br><b>1080</b> |
|------------------|---|---|----------------------|----------------------|------------------|----------------------|------------------------------|
| REV.             | DATE                                    | DESCRIPTION   | BY                   | CKD. BY              |                  |                      |                              |
|                  |   |   |                      |                      |                  |                      |                              |

D  
 DRAWING NUMBER S1080(BackSheet)  
 SIZE A  
 SCALE: NONE  
 DATE: 3-13-13  
 APPROVED BY: CL  
 CHECKED BY: CL  
 DRAWN BY: TBW  
 1080(Back Sheet)  
 FIGURE NUMBER

WE CAN ASSUME NO RESPONSIBILITY FOR USE OF SUPERSEDED OR VOID DATA  
 DIMENSIONS ARE SUBJECT TO MANUFACTURERS TOLERANCE AND CHANGE WITHOUT NOTICE

# OVERFLOW ROOF DRAIN



FREE AREA  
 228 SQ IN  
 (1471 SQ CM)

|                          |                 |
|--------------------------|-----------------|
| recommended deck opening |                 |
| less suffix -R           | 18 3/4(475) DIA |
| with suffix -R           | 21(535) DIA     |

A (PIPE SIZE) = 08(200), 10(250) or \*12(305)  
 \*12(305) outlet size available in No-Hub only.

- FIG.1080C .....CAULK OUTLET
- FIG.1080Y .....NO-HUB OUTLET
- FIG.1080T .....THREADED OUTLET

**REGULARLY FURNISHED:**  
 Duco Cast Iron Body with External Water Dam, Combined Flashing Clamp and Gravel Stop and Cast Iron Dome.

- VARIATIONS:**
- Extension (Specify Height) -E
  - Secondary Flashing Clamp -C2
  - Sump Receiver -R
  - Underdeck Clamp -C
  - "L" Shaped Underdeck Clamp -CL
  - Vandal Proof Dome -U
  - Stainless Steel Mesh Over Dome-SSM
  - Roof Deck Plate -RDP

- OPTIONAL MATERIALS:**
- Aluminum Dome -AD
  - Galvanized Cast Iron -G
  - Galvanized Cast Iron Dome Only -CIDG

|      |          |  |     |         |                  |                      |   |
|------|----------|--|-----|---------|------------------|----------------------|---|
| D    | 3-25-24  | Revised Variations<br>Removed Function, Changed B.S.<br>Removed NOTE<br>Added Flow Rate Note | HS  | CL      | WEIGHT<br>POUNDS | VOLUME<br>CUBIC FEET | FIGURE NUMBER<br><b>1080</b> (Back Sheet) |
| C    | 7-18-23  |  | HS  | CL      |                  |                      |   |
| B    | 7-30-19  |  | MW  | CL      |                  |                      |   |
| A    | 10-28-15 |  | TBW | BW      |                  |                      |   |
| REV. | DATE     | DESCRIPTION  | BY  | CKD. BY |                  |                      |   |