



**JAY R. SMITH MFG. CO.**  
 MEMBER OF MORRIS GROUP INTERNATIONAL  
 POST OFFICE BOX 3237  
 MONTGOMERY, ALABAMA 36109-0237 (USA)  
 TEL: 334-277-8520 FAX: 334-272-7396 www.jrsmith.com

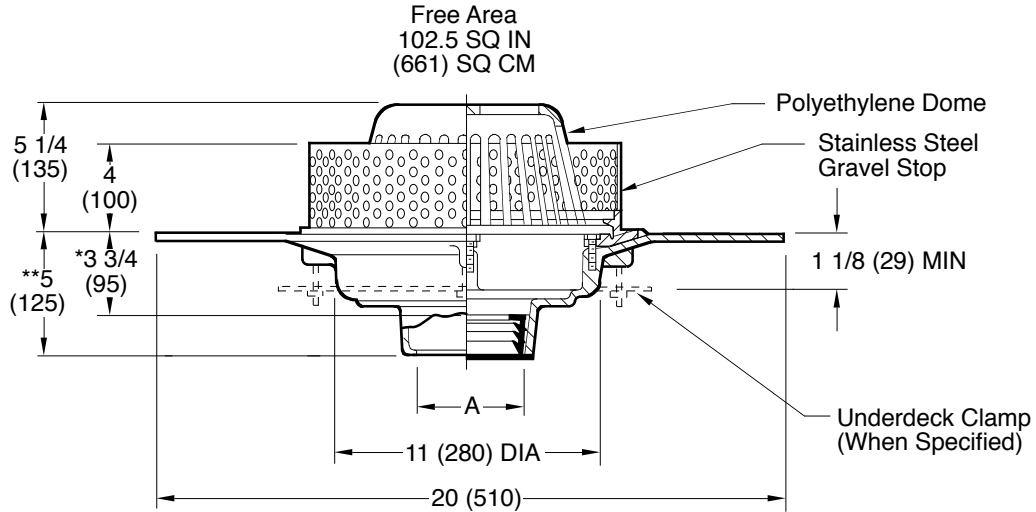


LOCATION

# ROOF DRAINS

## IRMA ROOF APPLICATIONS

**FUNCTION:** Used in roof systems where the insulated membrane assembly method of waterproofing is provided. Fig. 1019 is utilized with a liquid membrane waterproofing. A 4" (100) high perforated stainless steel gravel stop is supplied to retain the crushed gravel used in IRMA flat roof construction.



A (Pipe Size) = 02(50), 03(75), 04(100), 05(125) or 06(150)

- Fig. 1019C . . . . . CAULK OUTLET
- Fig. 1019Y . . . . . NO-HUB OUTLET

\* This Dimension to Internal Stop of Speedi-Set Gasket.  
 \*\*Same for Caulk, NO-HUB and Speedi-Set. 3 3/4(95) for Threaded.

**NOTE:** Recommended deck opening 14(355).

**REGULARLY FURNISHED:**

Duco Cast Iron Wide Flange Body with Flashing Clamp  
 1/16"(2) Thick 4"(100) High Stainless Steel Perforated Gravel Stop with 3/8"(10) Dia. Openings and Polyethylene Dome.

**VARIATIONS:**

- Expansion Joint (Specify Fig. 1710)
- Higher Gravel Stop -HGS (Specify Height)
- "L" Shaped Underdeck Clamp -CL
- L Speedi-Set Service Weight 02(50), 03(75) & 04"(100) sizes only
- LXH Speedi-Set Extra Heavy 02(50), 03(75) & 04"(100) sizes only
- Underdeck Clamp -C
- Vandal Proof Dome -U
- T Threaded Outlet

**OPTIONAL MATERIALS:**

- ▲  Aluminum Dome -AD
- ▲  Cast Iron Dome -CID
- ▲  Galvanized Cast Iron Body and Collar -G
- ▲  Galvanized Cast Iron Dome -CIDG
- ▲  Rough Bronze Dome -RBD

▲ **Optional domes' free area are as follows:**

Aluminum 98 (632)  
 Cast Iron 80 (516)  
 Bronze 95 (613)

**NOTE:** Dimensions shown in parentheses are in millimeters.

DRAWING NUMBER  
S1019

SIZE  
A

SCALE:  
NONE

DATE:  
5-24-85

APPROVED BY:  
TD

CHECKED BY:  
TD

DRAWN BY:  
PJ

FIGURE NUMBER  
1019

WE CAN ASSUME NO RESPONSIBILITY FOR USE OF SUPERSEDED OR VOID DATA

DIMENSIONS ARE SUBJECT TO MANUFACTURERS TOLERANCE AND CHANGE WITHOUT NOTICE

J	7-30-19	Removed NOTE	MW	CL	WEIGHT POUNDS	VOLUME CUBIC FEET	FIGURE NUMBER <b>1019</b>
H	9-17-15	Added Flow Rate Note	TBW	BW			
G	06/03/09	Added Optional Dome Notes	JJ	CL			
F	5-26-99	Revised Opt. Mat.	CMD	BS			
REV.	DATE	DESCRIPTION	BY	CKD. BY			