

P

SMITH® JAY R. SMITH MFG. CO.®
 MEMBER OF MORRIS GROUP INTERNATIONAL
 POST OFFICE BOX 3237
 MONTGOMERY, ALABAMA 36109-0237 (USA)
 TEL: 334-277-8520 FAX: 334-272-7396 www.jrsmith.com



LOCATION

DRAWING NUMBER
S1018

SIZE
A

SCALE:
NONE

DATE:
5-24-85

APPROVED BY:
JD

CHECKED BY:
VGD

DRAWN BY:
CR

1018

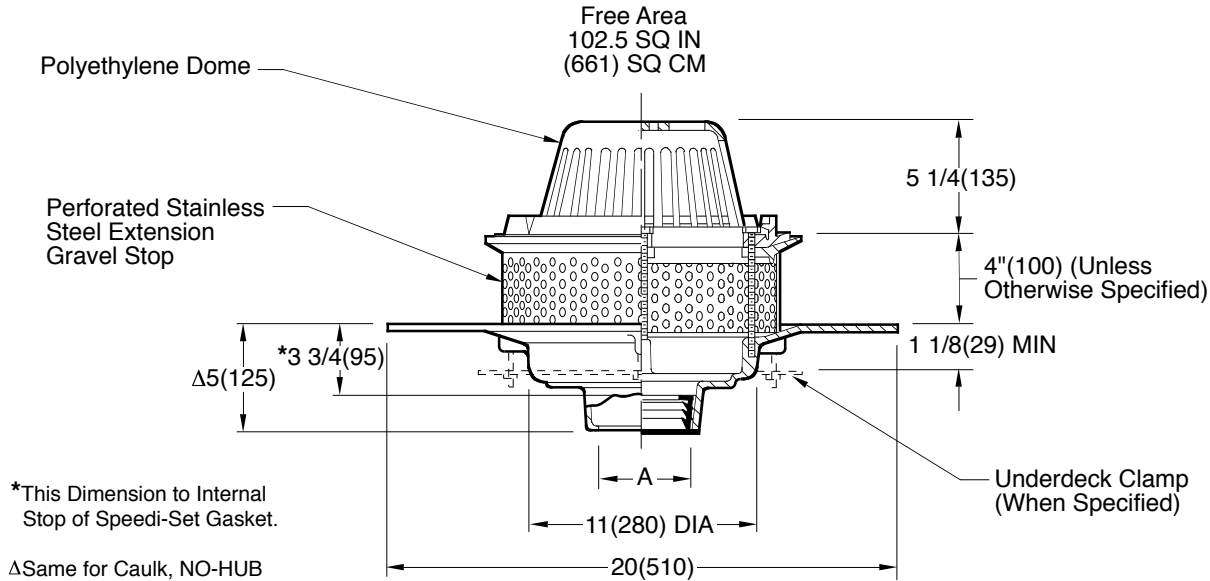
WE CAN ASSUME NO RESPONSIBILITY FOR USE OF SUPERSEDED OR VOID DATA

DIMENSIONS ARE SUBJECT TO MANUFACTURERS TOLERANCE AND CHANGE WITHOUT NOTICE

ROOF DRAINS

IRMA ROOF APPLICATIONS

FUNCTION: Used in roof systems where the insulated membrane assembly method of waterproofing is provided. Used where a liquid membrane waterproofing is installed. A stainless steel extension gravel stop at height specified is supplied to retain the crushed gravel used in IRMA flat roof construction.



*This Dimension to Internal Stop of Speedi-Set Gasket.

ΔSame for Caulk, NO-HUB and Speedi-Set, 3 3/4(95) for Threaded

A (Pipe Size) = 02(50), 03(75), 04(100), 05(125) or 06(150)

- Fig. 1018C CAULK OUTLET
- Fig. 1018Y NO-HUB OUTLET
- Fig. 1018T THREADED OUTLET

REGULARLY FURNISHED:

Duco Cast Iron Wide Flange Body with Flashing Clamp, Perforated Stainless Steel Extension, Gravel Stop and Polyethylene Dome.

VARIATIONS:

- Expansion Joint (Specify Fig. 1710)
- Higher Gravel Stop -HGS (Specify Height)
- "L" Shaped Underdeck Clamp -CL
- L Speedi-Set Service Weight 02(50), 03(75) & 04"(100) sizes only
- LXH Speedi-Set Extra Heavy 02(50), 03(75) & 04"(100) sizes only
- Underdeck Clamp -C
- Vandal Proof Dome -U
- Secondary Flashing Clamp -C2

OPTIONAL MATERIALS:

- ▲ Aluminum Dome -AD
- ▲ Cast Iron Dome -CID
- ▲ Galvanized Cast Iron Body and Collar -G
- ▲ Galvanized Cast Iron Dome -CIDG
- ▲ Rough Bronze Dome -RBD

▲ Optional domes' free area are as follows:

Aluminum	98 (632)
Cast Iron	80 (516)
Bronze	95 (613)

NOTE: Dimensions shown in parentheses are in millimeters.

P	7-30-19	Removed NOTE	MW	CL
N	7-25-18	Rev. Var., Add Threaded Outlet	TBW	CL
M	9-17-15	Added Flow Rate Note	TBW	BW
L	06/03/09	Added Optional Dome Notes	JJ	CL
REV.	DATE	DESCRIPTION	BY	CKD. BY

WEIGHT POUNDS	VOLUME CUBIC FEET
---------------	-------------------

FIGURE NUMBER
1018