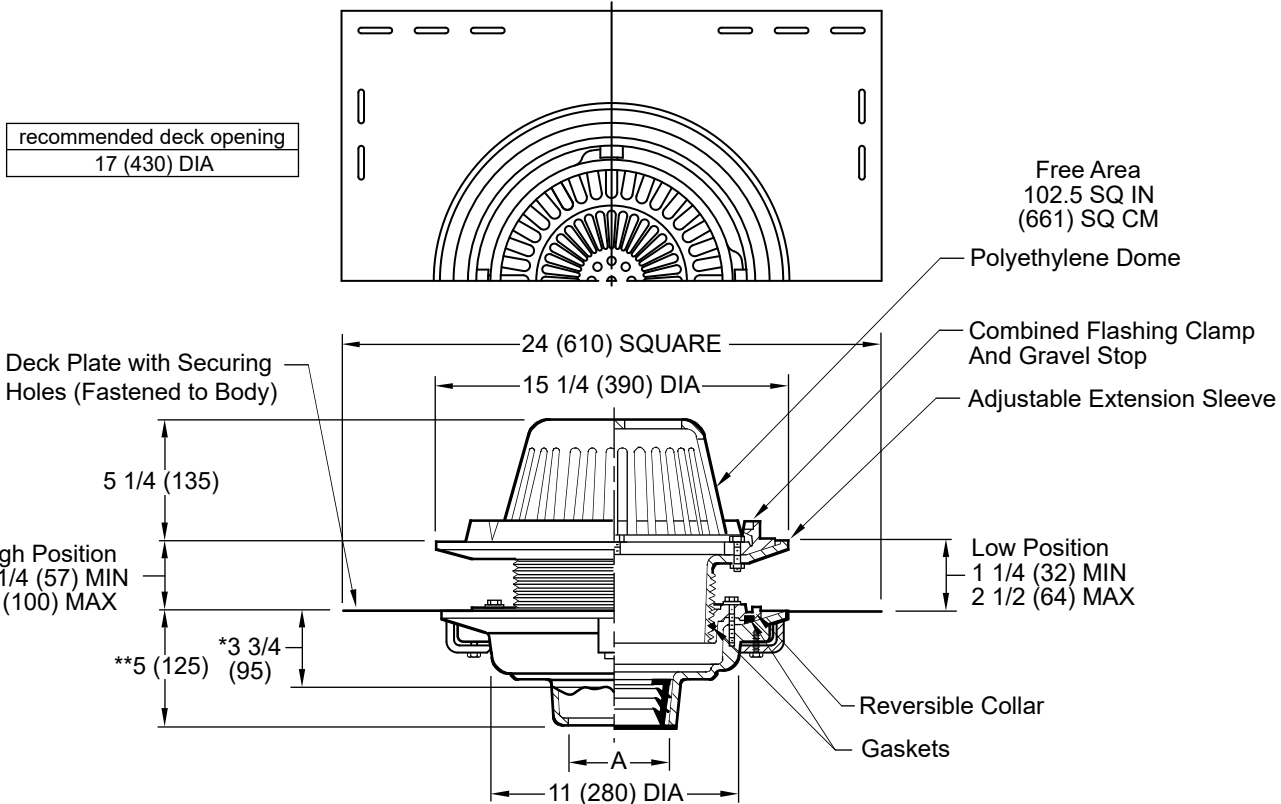


# SPECIAL PURPOSE ROOF DRAIN

## ROOF DRAIN WITH ADJUSTABLE EXTENSION



Free Area  
102.5 SQ IN  
(661) SQ CM

recommended deck opening  
17 (430) DIA

Deck Plate with Securing Holes (Fastened to Body)

High Position  
2 1/4 (57) MIN  
4 (100) MAX

Low Position  
1 1/4 (32) MIN  
2 1/2 (64) MAX

\*This dimension to internal stop of Speedi-Set® Gasket  
\*\*Same for Caulk, NO-HUB and Speedi-Set®, 3 3/4 (95) for Threaded

A (Pipe Size) = 02(50), 03(75), 04(100), 05(125) or 06(150)

- Fig. 1015C-(RDP) . . . . CAULK OUTLET
- Fig. 1015T-(RDP) . . . . THREADED OUTLET
- Fig. 1015Y-(RDP) . . . . NO-HUB OUTLET

**REGULARLY FURNISHED:**  
Duco Cast Iron Body with Attached Deck Plate with Securing Holes in Deck Plate, Adjustable Extension Sleeve, Reversible Collar, Combined Flashing Clamp and Gravel Stop with Polyethylene Dome.

- VARIATIONS:**
- Expansion Joint (Specify Fig. 1710)
  - "L" Shaped Underdeck Clamp -CL
  - L Speedi-Set® Service Weight 02(50), 03(75) & 04(100)" sizes only
  - LXH Speedi-Set® Extra Heavy 02(50), 03(75) & 04(100)" sizes only
  - Secondary Flashing Clamp -C2 (See 1015-C2 Submittal)
  - Vandal Proof Dome -U
  - Side Outlet Drain (Specify Fig. 1025)

- OPTIONAL MATERIALS:**
- ▲  Aluminum Dome -AD
  - ▲  Cast Iron Dome -CID
  - ▲  Galvanized Cast Iron -G
  - ▲  Rough Bronze Dome -RBD

▲Optional domes' free area are as follows:  
Aluminum 98 (632)  
Cast Iron 80 (516)  
Bronze 95 (613)

**NOTE:** Dimensions shown in parentheses are in millimeters.

DRAWING NUMBER **S1015-RDP**  
 SIZE **A**  
 SCALE: **NONE**  
 DATE: **07/18/07**  
 APPROVED BY: **AM**  
 CHECKED BY: **AM**  
 DRAWN BY: **JJ**  
**1015-RDP**  
 FIGURE NUMBER

WE CAN ASSUME NO RESPONSIBILITY FOR USE OF SUPERSEDED OR VOID DATA  
 DIMENSIONS ARE SUBJECT TO MANUFACTURERS TOLERANCE AND CHANGE WITHOUT NOTICE

REV.	DATE	DESCRIPTION	BY	CKD. BY	WEIGHT POUNDS	VOLUME CUBIC FEET	<b>FIGURE NUMBER</b> <b>1015-RDP</b>

L



**JAY R. SMITH MFG. CO.®**  
 MEMBER OF MORRIS GROUP INTERNATIONAL  
 POST OFFICE BOX 3237  
 MONTGOMERY, ALABAMA 36109-0237 (USA)  
 TEL: 334-277-8520 FAX: 888-377-7818 www.jrsmith.com



MEMBER OF:

LOCATION

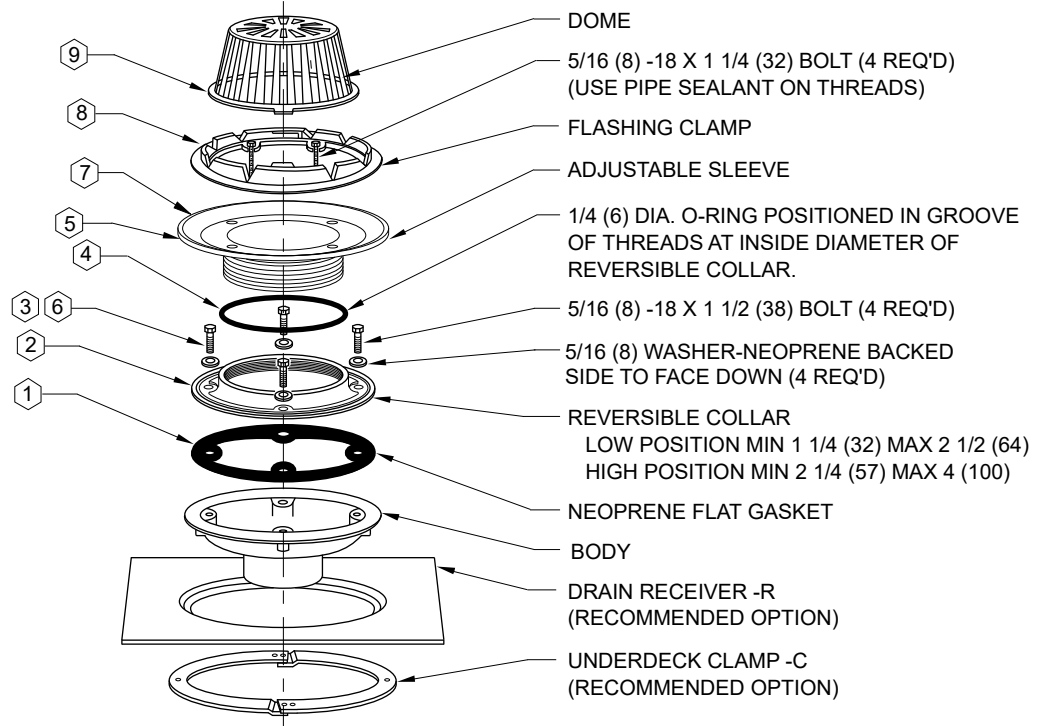
DRAWING NUMBER  
S1015BSSIZE  
ASCALE:  
NONEDATE:  
6-29-88APPROVED BY:  
TDCHECKED BY:  
MCDDRAWN BY:  
EMB

1015BS

WE CAN ASSUME NO RESPONSIBILITY FOR USE OF SUPERSEDED OR VOID DATA

DIMENSIONS ARE SUBJECT TO MANUFACTURERS TOLERANCE AND CHANGE WITHOUT NOTICE

# ADJUSTABLE ROOF DRAIN



- ① \*Position flat gasket on drain body, align holes in gasket with holes in body.
- ② Determine if reversible collar is to be installed in the low (1 1/4" to 2 1/2") or high (2 1/4" to 4") position.
- ②a \*Place reversible collar on body and align holes in collar with holes in gasket and body.
- ③ Secure collar to body with 1 1/2" long bolts insuring neoprene backed washers are installed with neoprene side facing down at proper locations between top of reversible collar and bolt head. Tighten bolts in the following manner: 1, 3, 2 & 4. Tighten No. 1 bolt approximately one full turn then No. 3, No. 2 and No. 4 (same manner as for No. 1). Continue this method until reversible ring has been secured evenly all around.
- ④ Wipe "O" Ring recess in reversible collar clean. Insert dry "O" Ring in groove of threads at inside diameter of reversible collar. Lubricate the face of "O" Ring in it's entirety with (1) tube of the lubricant provided and remaining threads.

- ⑤ Lubricate liberally the entire lead-in chamfer and first 2 threads of the adjustable sleeve. Thread adjustable sleeve into reversible collar and adjust to required height. Do not exceed minimum/maximum adjustment dimensions.
- ⑥ Check bolts a final time to insure tightness.
- ⑦ Run waterproofing membrane over top of adjustable sleeve to inside of bolt circle.
- ⑧ Install flashing clamp and secure with (4) bolts, use pipe sealant on threads. Again tighten bolts in the 1, 3, 2, 4 manner. (See ③)
- ⑨ Install Dome

\*Note when -C2 secondary flashing clamp option is supplied the ① flat gasket is not supplied. The -C2 option is for when a water proofing membrane is to be applied to the drain body flange and clamped with the ②a reversible collar in place of the flat gasket.

NOTE: DO NOT STACK MULTIPLE ADJUSTABLE EXTENSIONS

NOTE: Dimensions shown in parentheses are in millimeters.

REV.	DATE	DESCRIPTION	BY	CKD. BY	WEIGHT POUNDS	VOLUME CUBIC FEET	FIGURE NUMBER
L	10-9-24	Added Note	HS	CL			1015BS
J	8-22-24	Added Note	HS	CL			
K	7-30-19	Removed NOTE	MW	CL			
H	8-18-15	Added Flow Rate Note	BW	BW			



WARNING: Cancer and Reproductive Harm - www.P65Warnings.ca.gov