



JAY R. SMITH MFG. CO.
 MEMBER OF MORRIS GROUP INTERNATIONAL
 POST OFFICE BOX 3237
 MONTGOMERY, ALABAMA 36109-0237 (USA)
 TEL: 334-277-8520 FAX: 334-272-7396 www.jrsmith.com



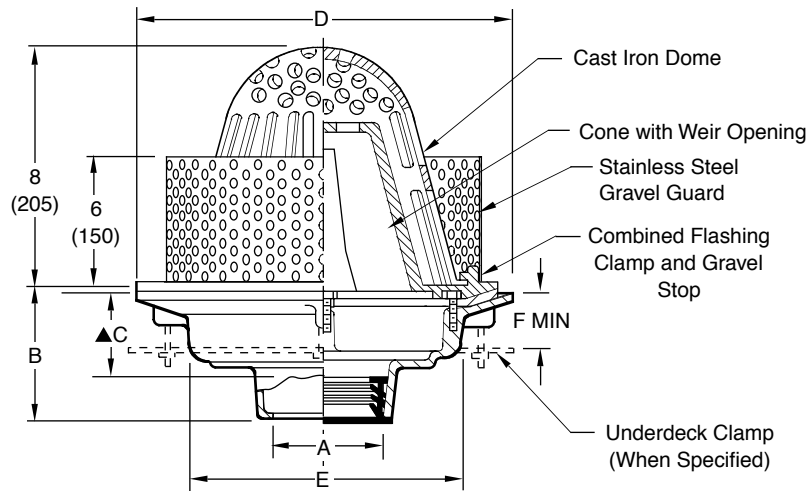
MEMBER OF:

LOCATION

LARGE SPECIAL PURPOSE ROOF DRAINS

RAINTROL® ROOF DRAIN FLAT OR SLOPED ROOF DESIGN

FUNCTION: Used to control the flow of rain water off a roof. Trapezoidal weir limits the flow to the leader.



- Fig. 1011-83C-CAN... CAULK OUTLET
- Fig. 1011-83Y-CAN... NO-HUB OUTLET
- Fig. 1011-83T-CAN... THREADED OUTLET

▲ This dimension to internal stop of Speedi-Set gasket

Recommended Deck Opening		
outlet size	with suffix-R	less suffix-R
02,03,04 (50, 75, 100)	17 DIA (430)	14 DIA (355)

A SIZE	B (BOTTOM OUTLET)		C	D DIA	E DIA	F MIN	FREE AREA SQ IN
	CAULK, NO-HUB, & SPEEDI-SET▲	THREADED					
02,03,04 (50, 75, 100)	5 (125)	3 3/4 (95)	3 3/4 (95)	15 1/4 (390)	11 (280)	1 1/8 (29)	122 (788 cm ²)

REGULARLY FURNISHED:

Duco Cast Iron Body with Large Sump, Non-Puncturing Flashing Collar, Gravel Stop, Integral Cone with Weir Opening and Large Cast Iron Dome.

VARIATIONS:

- Expansion Joint (See Fig. 1710)
- Extension (Specify Height) -E
- "L" Shaped Underdeck Clamp -CL
- Secondary Flashing Clamp -C2 (Used with Extension Only)
- Galvanized Sump Receiver -R
- Underdeck Clamp -C
- Vandal Proof Dome -U
- T Threaded Outlet

OPTIONAL MATERIALS:

- Galvanized Cast Iron -G

Dimensions shown in parenthesis are in millimeters

DRAWING NUMBER
S1011-83-CAN

SIZE
A

SCALE:
NONE

DATE:
01/07/00

APPROVED BY:

CHECKED BY:

DRAWN BY:
JJ

1011-83-CAN

WE CAN ASSUME NO RESPONSIBILITY FOR USE OF SUPERSEDED OR VOID DATA

DIMENSIONS ARE SUBJECT TO MANUFACTURERS TOLERANCE AND CHANGE WITHOUT NOTICE

FIGURE NUMBER

REV.	DATE	DESCRIPTION	BY	CKD. BY

WEIGHT POUNDS	VOLUME CUBIC FEET

FIGURE NUMBER
1011-83-CAN