

G
 DRAWING NUMBER S1010-RDP
 SIZE A
 SCALE: NONE
 DATE: 02-10-2006
 APPROVED BY: CR
 CHECKED BY: CR
 DRAWN BY: CR
 FIGURE NUMBER 1010-RDP

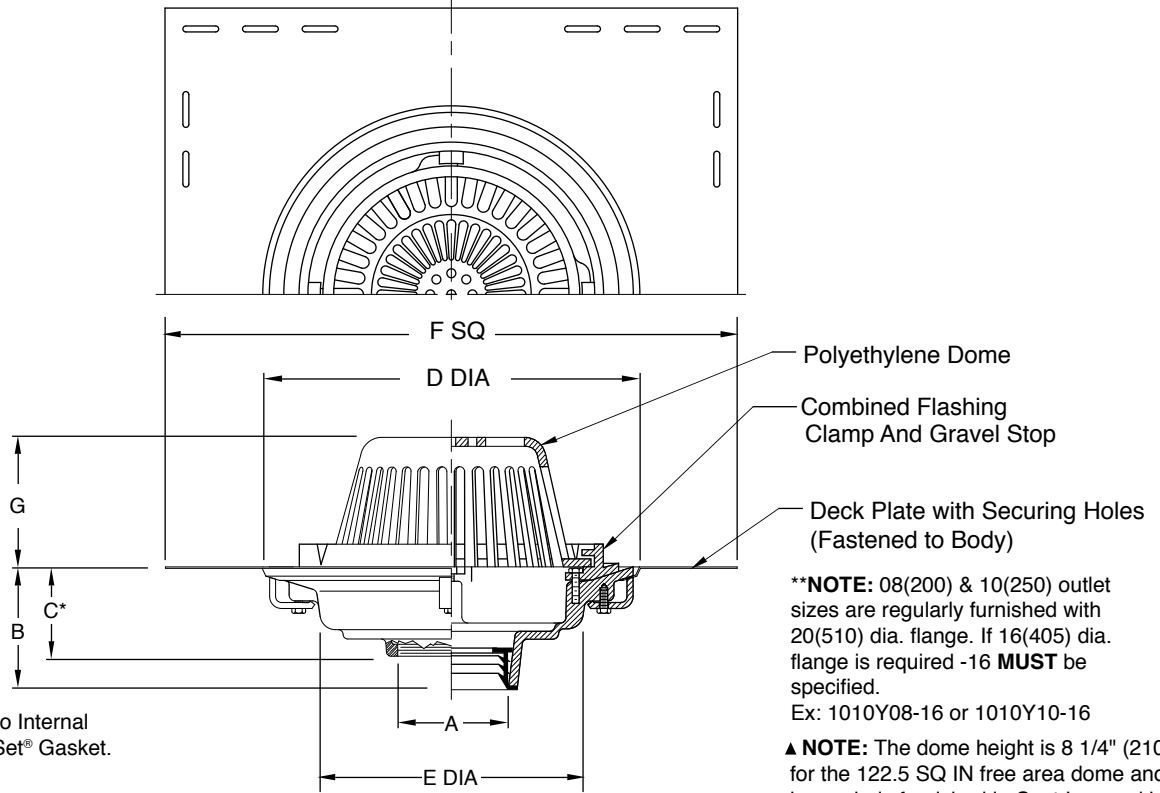
WE CAN ASSUME NO RESPONSIBILITY FOR USE OF SUPERSEDED OR VOID DATA

DIMENSIONS ARE SUBJECT TO MANUFACTURERS TOLERANCE AND CHANGE WITHOUT NOTICE

SPECIAL PURPOSE ROOF DRAIN

LOW PROFILE DOME WITH DECK PLATE

FUNCTION: Used in flat roof of any construction. Large low profile dome provides sufficient free area for quick drainage of rain water and protects the drain sump and connected piping from the intrusion of debris. Attached wide deck plate has securing holes enabling drain to be secured to the roof deck from the top surface of the roof.



*This Dimension to Internal Shop of Speedi-Set® Gasket.

Polyethylene Dome
 Combined Flashing
 Clamp And Gravel Stop
 Deck Plate with Securing Holes
 (Fastened to Body)

****NOTE:** 08(200) & 10(250) outlet sizes are regularly furnished with 20(510) dia. flange. If 16(405) dia. flange is required -16 **MUST** be specified.
 Ex: 1010Y08-16 or 1010Y10-16

▲ NOTE: The dome height is 8 1/4" (210) for the 122.5 SQ IN free area dome and is regularly furnished in Cast Iron and is not available in polyethylene.

Fig. 1010Y-RDP..... NO-HUB OUTLET
 Fig. 1010C-RDP..... CAULK OUTLET

A SIZE	B CAULK, NO-HUB, & SPEEDI-SET®	THREADED	C*	D DIA	E DIA	F	G	FREE AREA SQ IN
02(50), 03(75) or 04(100)	5(125)	3 3/4(95)	3 3/4(95)	15 1/4(390)	11(280)	24(610)	5 1/4(133)	102.5(661)
05(125) or 06(150)	5(125)	3 3/4(95)	--	15 1/4(390)	11(280)	24(610)	5 1/4(133)	102.5(661)
**08(200)-16,	6	5	--	16	12 1/2	24	5 1/4(133)	102.5 (661)
**10(250)-16	(150)	(125)	--	(405)	(320)	(610)	8 1/4(210)	▲122.5 (790)
08(200), 10(250), or 12 (300)	7 3/4(195)	7 3/4(195)	--	20(510)	16(405)	28(711)	7 1/4(185)	228(1471)

REGULARLY FURNISHED:

Duco Cast Iron Body with attached Deck Plate with Securing Holes, combined Flashing Clamp and Gravel Stop with Polyethylene Dome.

VARIATIONS:

- L Speedi-Set® Service Weight Outlet Conn. (02, 03, and 04) Sizes Only
- LXH Speedi-Set® Extra Heavy Duty Outlet Conn. (02, 03, and 04) Sizes Only
- T Threaded Outlet Conn. Extension (Specify Height) -E
- Secondary Flashing Clamp -C2
- Vandal Proof Dome -U

OPTIONAL MATERIALS:

- ▲▲ Aluminum Dome -AD
- ▲▲ Cast Iron Dome -CID
- ▲▲ Galvanized Cast Iron Dome -CIDG
- ▲▲ Galvanized Cast Iron Body & Collar -G
- ▲▲ Rough Bronze Dome -RBD
- Stainless Steel (Specify Fig. 9780)

NOTE: Dimensions shown in parentheses are in millimeters.

▲▲ Optional Domes' free area are as follows:

Dome Mat'l	02-06 Outlets	08 & 10 Outlets
Aluminum	98 (632)	150 (968)
Cast Iron	80 (516)	Reg. Furnished
Bronze	95 (613)	150 (968)

G F E D	2-23-23 1-19-22 9-6-19 7-30-19	Added ® to "Speedi-Set" Added Notes, Revised Table Rev.Opt. Mat., Added Dimensions Removed NOTE	KK KK MW MW	CL CL CL CL	WEIGHT POUNDS	VOLUME CUBIC FEET	FIGURE NUMBER 1010-RDP
REV.	DATE	DESCRIPTION	BY	CKD. BY			