

SIPHONIC ROOF DRAIN

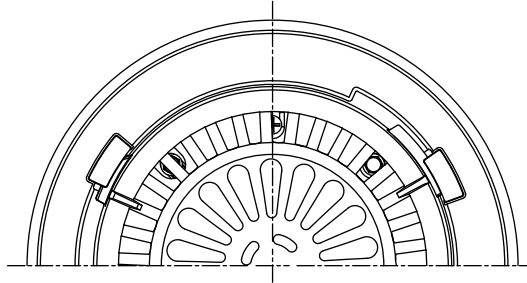
15 1/4"(390) DIAMETER - LOW PROFILE DOME

FUNCTION: For use in engineered siphonic roof drainage system. May be used in flat roof of any construction. Large low profile dome provides sufficient free area for quick drainage of rain water and protects the drain sump, baffle and connected piping from the intrusion of debris. Internal air baffle creates siphonic drainage action producing more efficient drainage than traditional roof drains.

****Performance Data**

A(Pipe Size) in. (mm)	Max. Capacity cfs (lps)	Resistance Value, K
02 (50)	0.50 (41.2)	0.13
0250 (64)	0.60 (17.0)	0.13
03 (75)	1.40 (39.5)	0.16
04 (100)	1.70 (48.1)	0.23

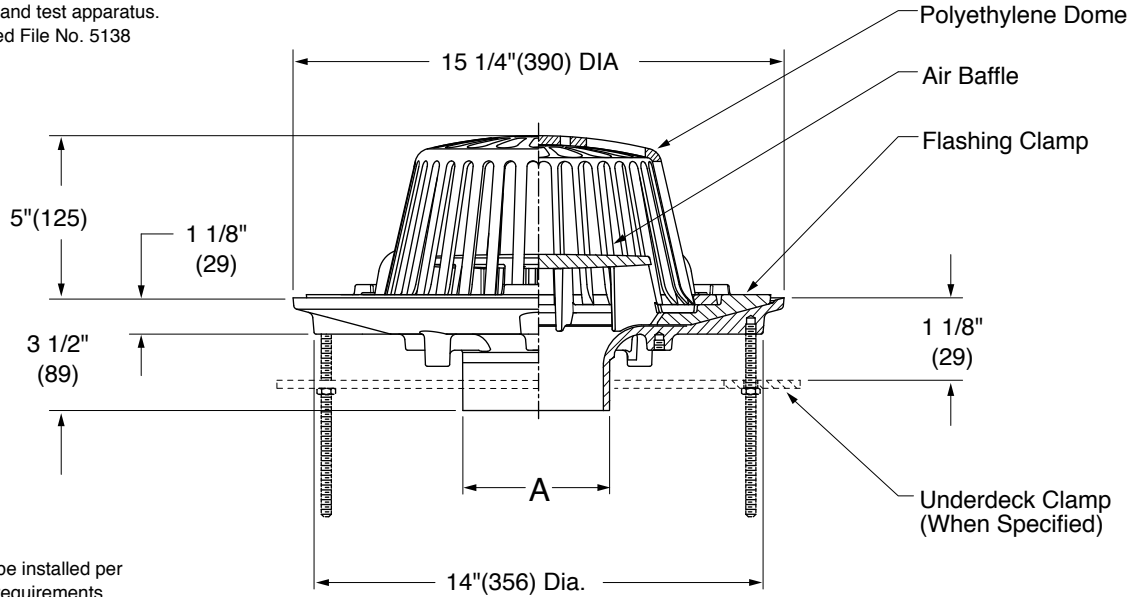
**As tested and certified by ANSI/ASME A112.6.9 "Siphonic Roof Drains" Procedures and test apparatus. IAPMO Listed File No. 5138



Free Area
 102.5 Sq. In.
 (661) Sq. Cm.

▲Optional domes' free area are as follows:
 Aluminum 98 (632)
 Cast Iron 80 (516)
 Bronze 95 (613)

DRAWING NUMBER S1005
 SIZE A
 SCALE: NONE
 DATE: 4-14-06
 APPROVED BY: CR
 CHECKED BY: CR
 DRAWN BY: RN
 DIMENSIONS ARE SUBJECT TO MANUFACTURERS TOLERANCE AND CHANGE WITHOUT NOTICE
 WE CAN ASSUME NO RESPONSIBILITY FOR USE OF SUPERSEDED OR VOID DATA



NOTES:

1. Drain shall be installed per local code requirements
- *2. 2 1/2" pipe size has O.D. of Sch. 40 Pipe.
3. Dimensions shown in parentheses are in millimeters.
4. Only for use in engineered siphonic roof drainage systems.

A(Pipe Size) = 02(50), *0250(64), 03(75) or 04(100)

recommended deck opening

with suffix -R	17 (430) DIA
less suffix -R	14 (355) DIA

Fig. 1005Y NO-HUB OUTLET

REGULARLY FURNISHED:

Duco Cast Iron Body, Flashing Clamp, Air Baffle and Polyethylene Dome.

VARIATIONS:

- Sump Receiver -R
- Underdeck Clamp -C
- Underdeck Clamp for 10" Deck Opening -C10
- "L" Shaped Underdeck Clamp -CL
- Vandal Proof Dome -U

OPTIONAL MATERIALS:

- ▲ Aluminum Dome -AD
- ▲ Cast Iron Dome -CID
- ▲ Galvanized Cast Iron Dome -CIDG
- ▲ Galvanized Cast Iron -G
- ▲ Rough Bronze Dome -RBD

1005

FIGURE NUMBER	E D C B	4-4-23 12-06-22 06/01/09 5-21-07	Removed Threaded Outlet from Fig. Added Note Added Optional Dome Notes Added Notes	KK KK JJ RN	CL CL CL CL	WEIGHT POUNDS	VOLUME CUBIC FEET	FIGURE NUMBER 1005
REV.	DATE	DESCRIPTION	BY	CKD. BY				