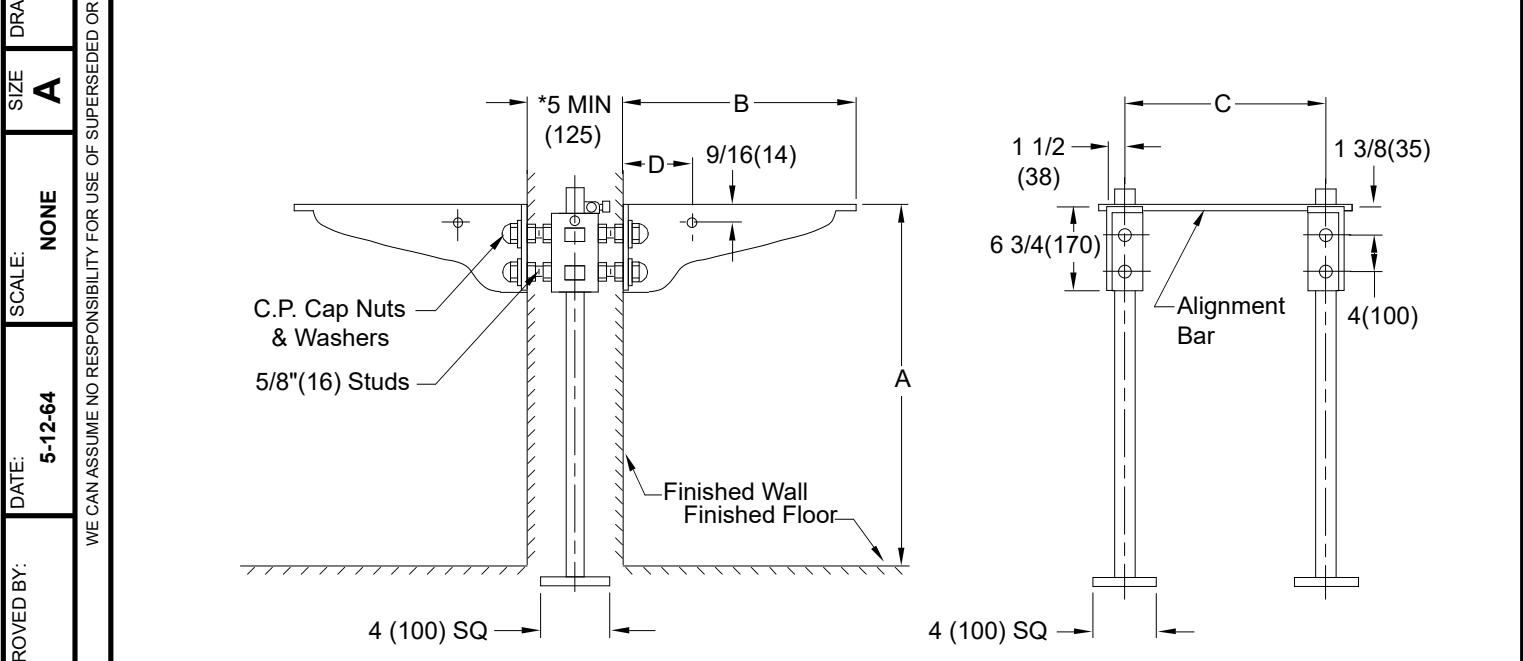


# HEAVY DUTY SINK SUPPORTS

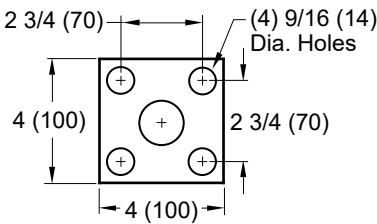
## FLOOR MOUNTED WITH ACID RESISTANT COATED EXPOSED ARMS & "PRO-SET" UPRIGHTS



**Fig. 0871D . . . FOR BACK TO BACK SUPPORT**

\*This dimension can be increased when fixture support is to be installed behind the wall (specify when required and wall thickness).

**NOTE:** For extra heavy duty support with 1 1/2(38) pipe uprights, add Suffix "X" to Fig. No.



**BASE DETAIL**

Conforms to ASME A112.6.1M.

**ROUGHING-IN TABLE**

FIXTURE NAME	NUMBER	SIZE	A	B	C	D

**NOTE:** The rough-in dimensions listed on this drawing are based on current information available to Jay R. Smith by the fixture manufacturers. We recommend that you verify these dimensions with the fixture manufacturer. We will not accept responsibility for rough-in dimension changes by the fixture manufacturer.

**0871D**

FIGURE NUMBER	<b>0871D</b>	<b>M</b> <b>L</b> <b>K</b> <b>J</b>	<b>4-19-24</b> <b>9-23-10</b> <b>01/19/00</b> <b>8-18-93</b>	<b>Added ASME Note</b> <b>Replace Base Detail / added ®</b> <b>Revised Base Plate</b> <b>Submittal Update</b>	<b>HS</b> <b>RN</b> <b>JJ</b> <b>EMB</b>	<b>JT</b> <b>CL</b> <b>BS</b>	WEIGHT POUNDS	VOLUME CUBIC FEET	<b>FIGURE NUMBER</b>
REV.	DATE	DESCRIPTION	BY	CKD. BY					<b>0871D</b>