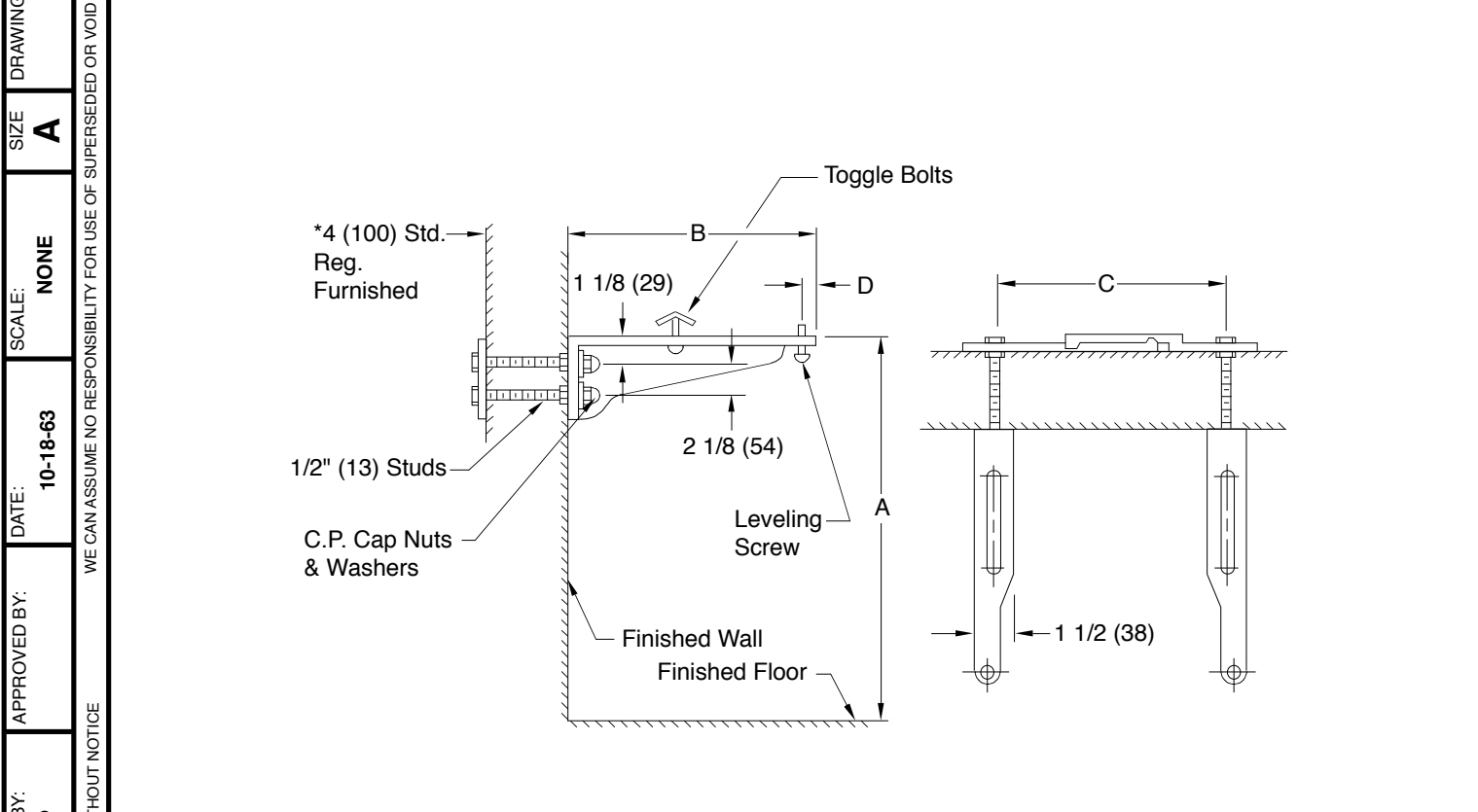


## LAVATORY SUPPORTS WITH EXPOSED ARMS

**WALL MOUNTED WITH ACID RESISTANT COATED EXPOSED ARMS**



**Fig. 0780 . . . FOR FLAT SLAB AND HIGH BACK LAVATORIES SET ON BLOCK WALL**

\*This dimension can be increased when required (specify wall thickness).

**ROUGHING-IN TABLE**

FIXTURE NAME	NUMBER	SIZE	A	B	C	D

**NOTE:** Dimensions shown in parentheses are in millimeters.

**NOTE:** The rough-in dimensions listed on this drawing are based on current information available to Jay R. Smith by the fixture manufacturers. We recommend that you verify these dimensions with the fixture manufacturer. We will not accept responsibility for rough-in dimension changes by the fixture manufacturer.

**0780**

<b>FIGURE NUMBER</b>	<b>B</b>	4-2-97 8-11-93	Added Millimeters Submittal Update	EMB EMB	BS BS	WEIGHT POUNDS	VOLUME CUBIC FEET	<b>FIGURE NUMBER</b>  <b>0780</b>
	REV.	DATE	DESCRIPTION	BY	CKD. BY			

WE CAN ASSUME NO RESPONSIBILITY FOR USE OF SUPERSEDED OR VOID DATA

DIMENSIONS ARE SUBJECT TO MANUFACTURERS TOLERANCE AND CHANGE WITHOUT NOTICE

DRAWING NUMBER  
**S0780 (B)**

SIZE  
**A**

SCALE:  
**NONE**

DATE:  
**10-18-63**

APPROVED BY:

CHECKED BY:  
**RP**

DRAWN BY:  
**SL**