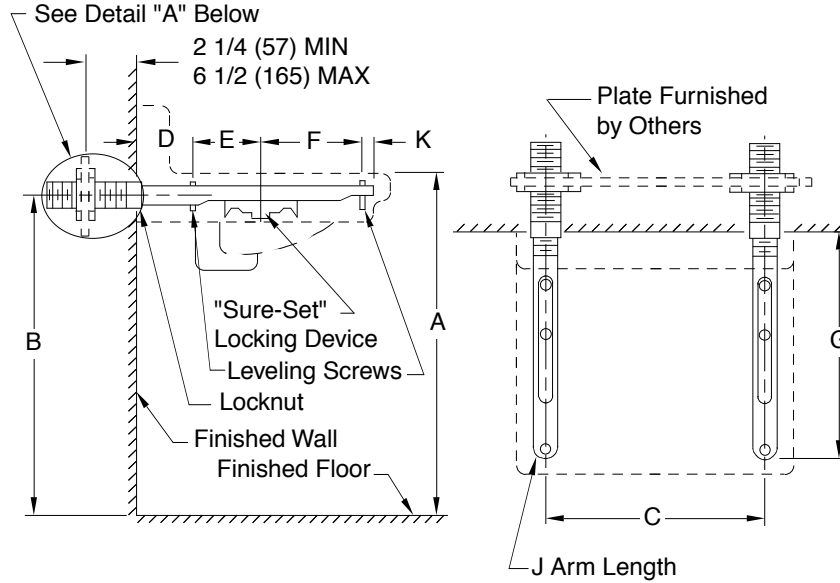




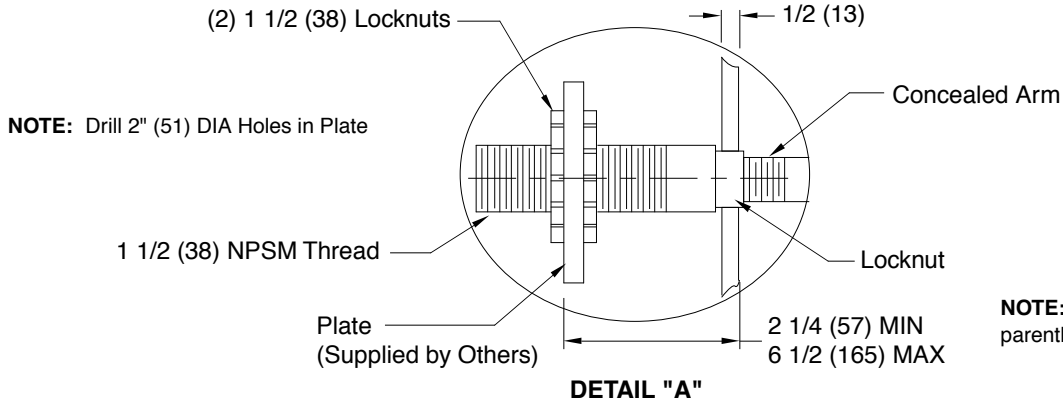
LOCATION

# LAVATORY SUPPORTS WITH CONCEALED ARMS

## WALL MOUNTED



**Fig. 0727 . . . FOR HIGH BACK LAVATORIES USING ADJUSTABLE EXTENSION**



**NOTE:** Drill 2" (51) DIA Holes in Plate

**NOTE:** Dimensions shown in parentheses are in millimeters.

### ROUGHING-IN TABLE

FIXTURE NAME			NUMBER			SIZE		
A	B	C	D	E	F	G	J	K

**NOTE:** The rough-in dimensions listed on this drawing are based on current information available to Jay R. Smith by the fixture manufacturers. We recommend that you verify these dimensions with the fixture manufacturer. We will not accept responsibility for rough-in dimension changes by the fixture manufacturer.

B

DRAWING NUMBER  
S0727 (B)

SIZE  
A

SCALE:  
NONE

DATE:  
4-3-80

APPROVED BY:

CHECKED BY:  
TD

DRAWN BY:  
CR

0727

FIGURE NUMBER

B

4-2-97  
8-10-93

Added Millimeters  
Submittal Update

EMB  
EMB

BS

WEIGHT  
POUNDS

VOLUME  
CUBIC FEET

FIGURE NUMBER

0727

REV.

DATE

DESCRIPTION

BY

CKD. BY



**WARNING:** Cancer and Reproductive Harm - www.P65Warnings.ca.gov

DIMENSIONS ARE SUBJECT TO MANUFACTURERS TOLERANCE AND CHANGE WITHOUT NOTICE

WE CAN ASSUME NO RESPONSIBILITY FOR USE OF SUPERSEDED OR VOID DATA