

LAVATORY SUPPORTS WITH CONCEALED ARMS

WALL MOUNTED

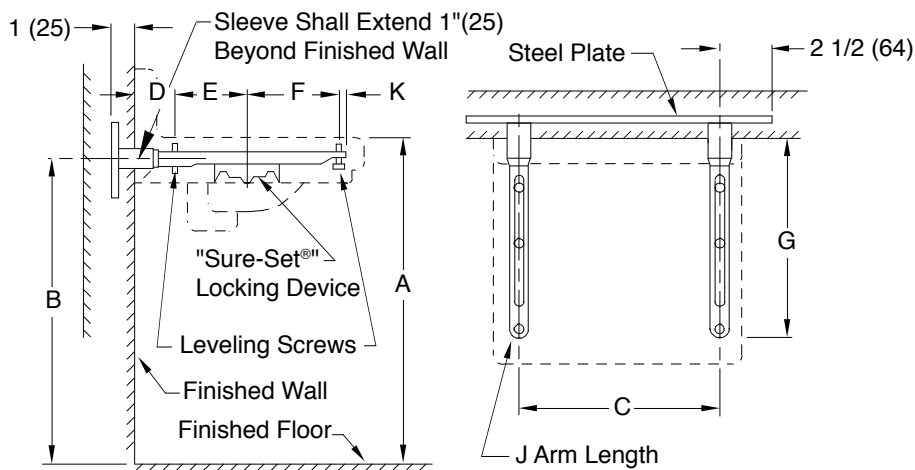


Fig. 0722 . . . FOR HIGH BACK LAVATORIES SET ON STEEL PLATE SECURED IN WALL

ROUGHING-IN TABLE

FIXTURE MFG.	NAME	NUMBER	SIZE	A	B	C	D	E	F	G	J	K
AM. STD.	LUCERNE	0350.132	20 (510) x 18 (455)	31 (785)	29 1/4 (745)	16 3/4 (425)	4 (100)	6 (150)	6 (150)	16 1/2 (420)	19 (485)	1/2 (13)
AM. STD.	LUCERNE	0350.603	24 (610) x 20 (510)	31 (785)	29 1/4 (745)	20 1/4 (515)	4 (100)	7 (180)	7 (180)	18 1/2 (370)	20 (510)	1/2 (13)
AM. STD.	LUCERNE	0351.072	20 (510) x 18 (455)	31 (785)	29 1/4 (745)	16 3/4 (425)	4 (100)	6 (150)	6 (150)	16 1/2 (420)	19 (485)	1/2 (13)
AM. STD.	LUCERNE	0351.247	24 (610) x 20 (510)	31 (785)	29 1/4 (745)	20 1/4 (515)	4 (100)	7 (180)	7 (180)	18 1/2 (420)	20 (510)	1/2 (13)
CRANE	NORWICH	1-194	20 (510) x 18 (455)	31 (785)	29 3/8 (746)	16 1/4 (415)	4 (100)	5 5/8 (143)	4 3/8 (111)	14 1/2 (370)	16 (405)	1/2 (13)
CRANE	NORWICH	1-194	24 (610) x 21 (535)	31 (785)	29 3/8 (746)	19 1/2 (495)	4 (100)	5 5/8 (143)	7 1/8 (181)	17 1/4 (440)	19 (485)	1/2 (13)
ELJER	DELWYN	051-1634, 1838	18 (455) x 15 (380)	31 (785)	29 1/4 (745)	15 1/2 (395)	3 (76)	5 (125)	4 3/4 (120)	13 1/2 (345)	17M (430)	3/4 (19)
ELJER	SIGNATURE	051-2101, 4, 8	20 (510) x 18 (455)	34 (865)	32 (815)	17 (430)	4 (100)	5 5/8 (143)	5 5/8 (143)	15 3/4 (400)	18M (455)	1/2 (13)
KOHLER	GREENWICH	K-2030, 1, 2, 4, 6	20 (510) x 18 (455)	31 (785)	29 (735)	17 1/4 (440)	3 1/4 (83)	5 1/4 (135)	5 1/4 (135)	14 1/4 (440)	16 (405)	1/2 (13)
KOHLER	GREENWICH	K-2030, 1, 2, 4, 6	24 (610) x 20 (510)	31 (785)	29 (735)	19 (485)	3 1/4 (83)	5 3/4 (145)	6 1/4 (160)	16 3/4 (425)	19 (485)	1 1/2 (38)
KOHLER	SOHO	K-2053, 2054, 2084	20 (510) x 18 (455)	31 (785)	29 1/4 (745)	16 1/2 (420)	3 1/4 (83)	5 1/4 (135)	5 1/4 (135)	14 1/4 (440)	17M (430)	1/2 (13)
U. RUNDLE	NEW CAMDEN	4648, 9	20 (510) x 18 (455)	31 (785)	29 3/8 (746)	16 1/4 (415)	4 1/2 (115)	2 1/2 (64)	4 (100)	13 1/2 (345)	16 (405)	2 1/2 (64)

NOTE: The rough-in dimensions listed on this drawing are based on current information available to Jay R. Smith by the fixture manufacturers. We recommend that you verify these dimensions with the fixture manufacturer. We will not accept responsibility for rough-in dimension changes by the fixture manufacturer.

NOTE: Dimensions shown in parentheses are in millimeters.

DRAWING NUMBER **S0722**
 SIZE **A**
 SCALE: **NONE**
 DATE: **1-26-73**
 APPROVED BY:
 CHECKED BY: **RP**
 DRAWN BY: **BDS**
 DIMENSIONS ARE SUBJECT TO MANUFACTURERS TOLERANCE AND CHANGE WITHOUT NOTICE
 WE CAN ASSUME NO RESPONSIBILITY FOR USE OF SUPERSEDED OR VOID DATA
0722
 FIGURE NUMBER

K	04-19-23	Revised Roughing-in Table	KK	JT	WEIGHT	VOLUME	FIGURE NUMBER
J	03-07-02	Revised Roughing-in Table	JJ	CL	POUNDS	CUBIC FEET	0722
H	4-2-97	Added Millimeters	EMB	BS			
REV.	DATE	DESCRIPTION	BY	CKD. BY			

D

SMITH® JAY R. SMITH MFG. CO.®
 MEMBER OF MORRIS GROUP INTERNATIONAL
 POST OFFICE BOX 3237
 MONTGOMERY, ALABAMA 36109-0237 (USA)
 TEL: 334-277-8520 FAX: 334-272-7396 www.jrsmith.com



LOCATION

LAVATORY SUPPORTS WITH CONCEALED ARMS

WALL MOUNTED

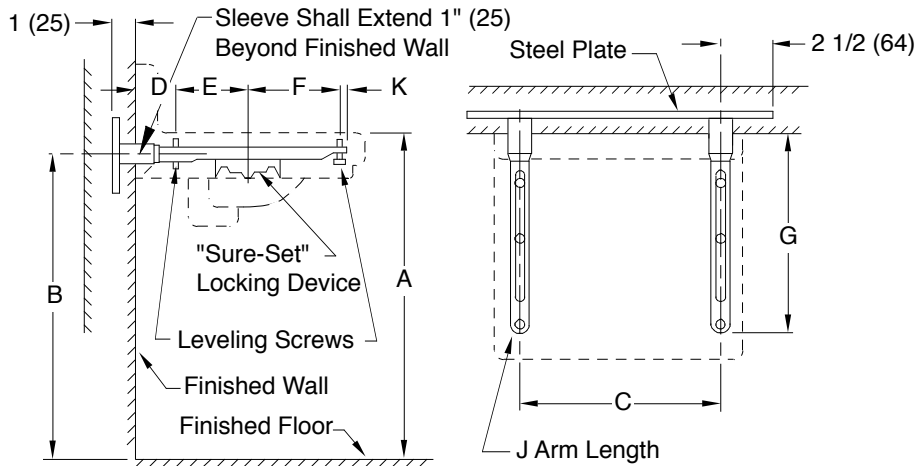


Fig. 0722 . . . FOR HIGH BACK LAVATORIES SET ON STEEL PLATE SECURED IN WALL

ROUGHING-IN TABLE

FIXTURE NAME				NUMBER			SIZE	
A	B	C	D	E	F	G	J	K

NOTE: The rough-in dimensions listed on this drawing are based on current information available to Jay R. Smith by the fixture manufacturers. We recommend that you verify these dimensions with the fixture manufacturer. We will not accept responsibility for rough-in dimension changes by the fixture manufacturer.

NOTE: Dimensions shown in parentheses are in millimeters.

DRAWING NUMBER
S0722 (B)

SIZE
A

SCALE:
NONE

DATE:
10-9-69

APPROVED BY:

CHECKED BY:
BH

DRAWN BY:
RVB

0722

FIGURE NUMBER

WE CAN ASSUME NO RESPONSIBILITY FOR USE OF SUPERSEDED OR VOID DATA

DIMENSIONS ARE SUBJECT TO MANUFACTURERS TOLERANCE AND CHANGE WITHOUT NOTICE

D	4-2-97	Added Millimeters Revised Submittal Update	EMB	BS
C	6-22-94		EMB	BS
B	8-10-93		EMB	BS
REV.	DATE	DESCRIPTION	BY	CKD. BY

WEIGHT POUNDS	VOLUME CUBIC FEET

FIGURE NUMBER
0722