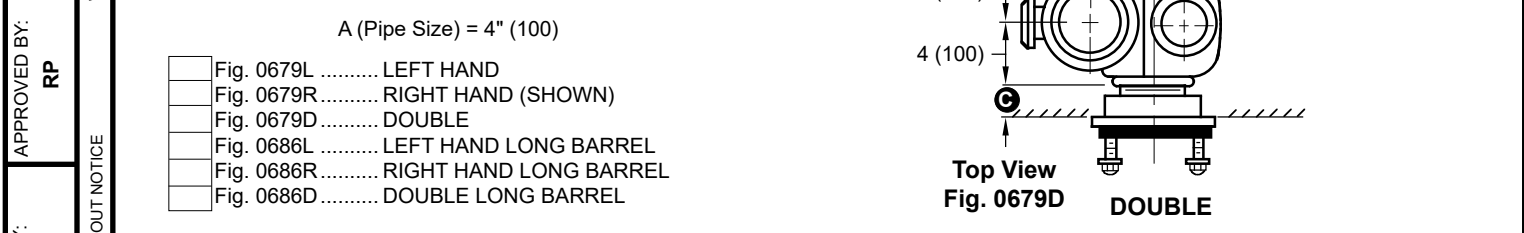
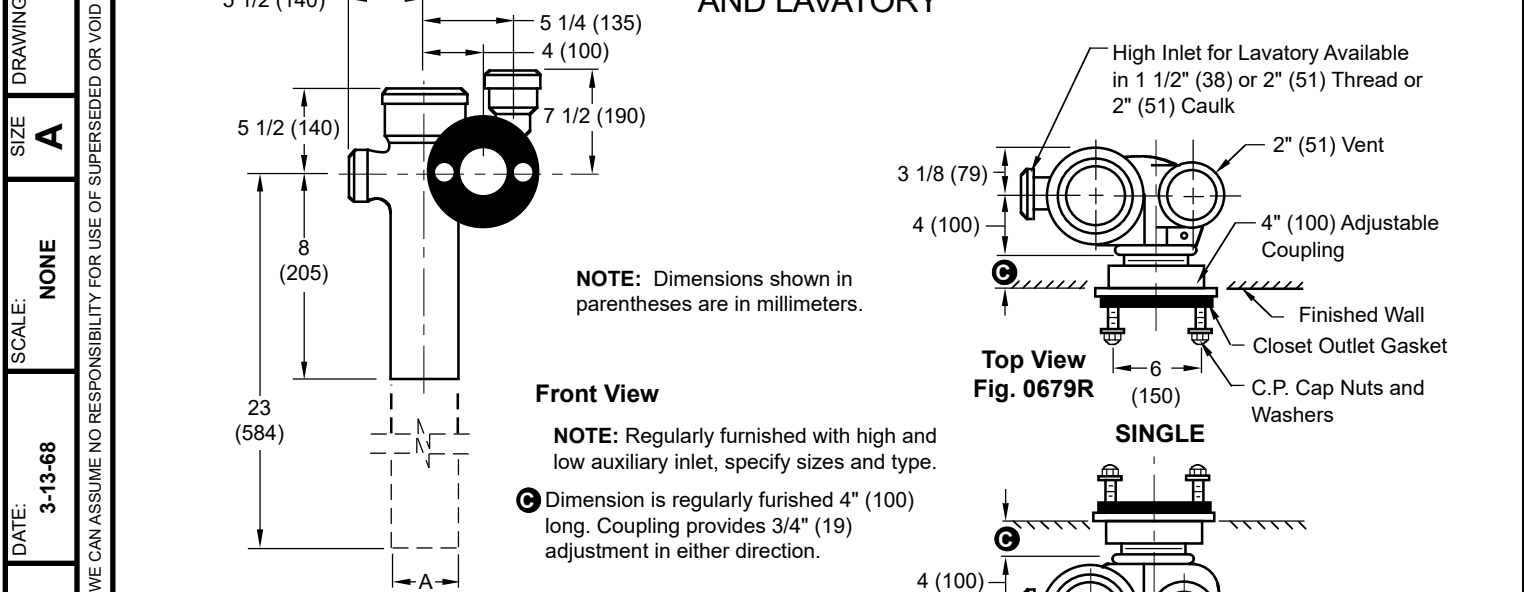


VERTICAL OFFSET WASTE FITTING WITH HIGH SIDE INLET

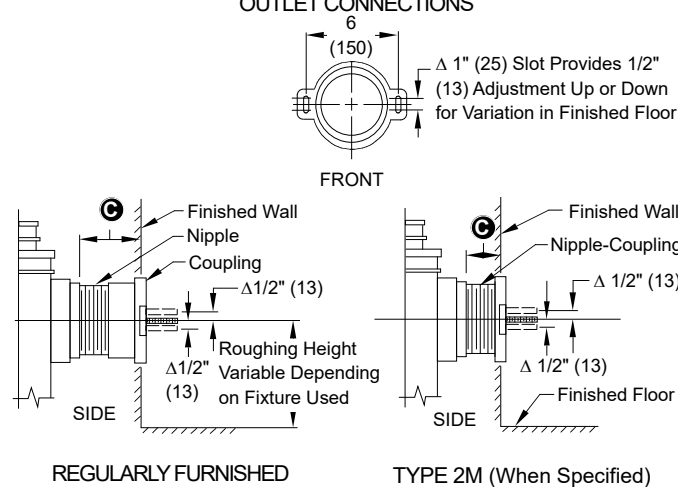
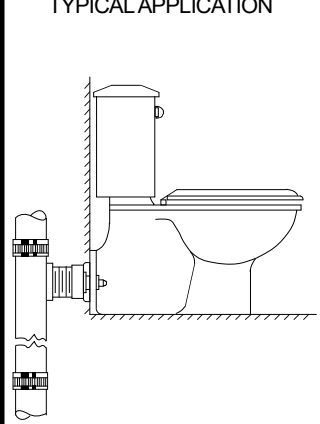
FOR USE WITH FLOOR MOUNTED BACK OUTLET CLOSET AND LAVATORY



- Fig. 0679L LEFT HAND
- Fig. 0679R RIGHT HAND (SHOWN)
- Fig. 0679D DOUBLE
- Fig. 0686L LEFT HAND LONG BARREL
- Fig. 0686R RIGHT HAND LONG BARREL
- Fig. 0686D DOUBLE LONG BARREL

The water closet gasket regularly furnished is designed to fit water closet outlet dimensions and configurations shown in ANSI Standard A112.19.2. If gasket is not found to be compatible to fixture due to nonconformance of said fixture to ANSI A112.19.2, then fixture manufacturer shall be consulted for a suitable gasket recommendation. Jay R. Smith assumes no liability for connections to fixtures which do not conform to these standards.

DIMENSIONS ARE SUBJECT TO MANUFACTURERS TOLERANCE AND CHANGE WITHOUT NOTICE



NIPPLE LENGTHS AVAILABLE		
NIPPLE LENGTH	MIN	MAX
2M	1 (25)	3 (76)
2 1/2 (64)	2 3/4 (70)	3 3/4 (95)
*3 1/4 (83)	3 (76)	4 1/2 (115)
4 1/2 (115)	4 1/4 (110)	5 3/4 (145)
5 1/4 (135)	5 (125)	6 1/2 (165)
6 1/4 (160)	6 (150)	7 1/2 (190)
7 (180)	6 3/4 (170)	8 1/4 (210)
8 1/4 (210)	8 (205)	9 1/2 (240)
10 (255)	9 3/4 (250)	11 1/4 (285)
12 (305)	11 3/4 (300)	13 1/4 (335)
15 (380)	14 3/4 (375)	16 1/4 (415)
18 (455)	17 3/4 (450)	19 1/4 (490)

* Regularly Furnished

FIGURE NUMBER	0679 and 0686 SERIES						
REV.	DATE	DESCRIPTION	BY	CKD. BY	WEIGHT POUNDS	VOLUME CUBIC FEET	FIGURE NUMBER 0679 and 0686 SERIES
F	10-24-24	Revised Lengths	HS	CB			
D	3-13-19	Added Notes	TBW	CL			
C	3-18-14	Revised Dimensions	TBW	CL			
	5-13-13	Revised Text	TBW	CL			