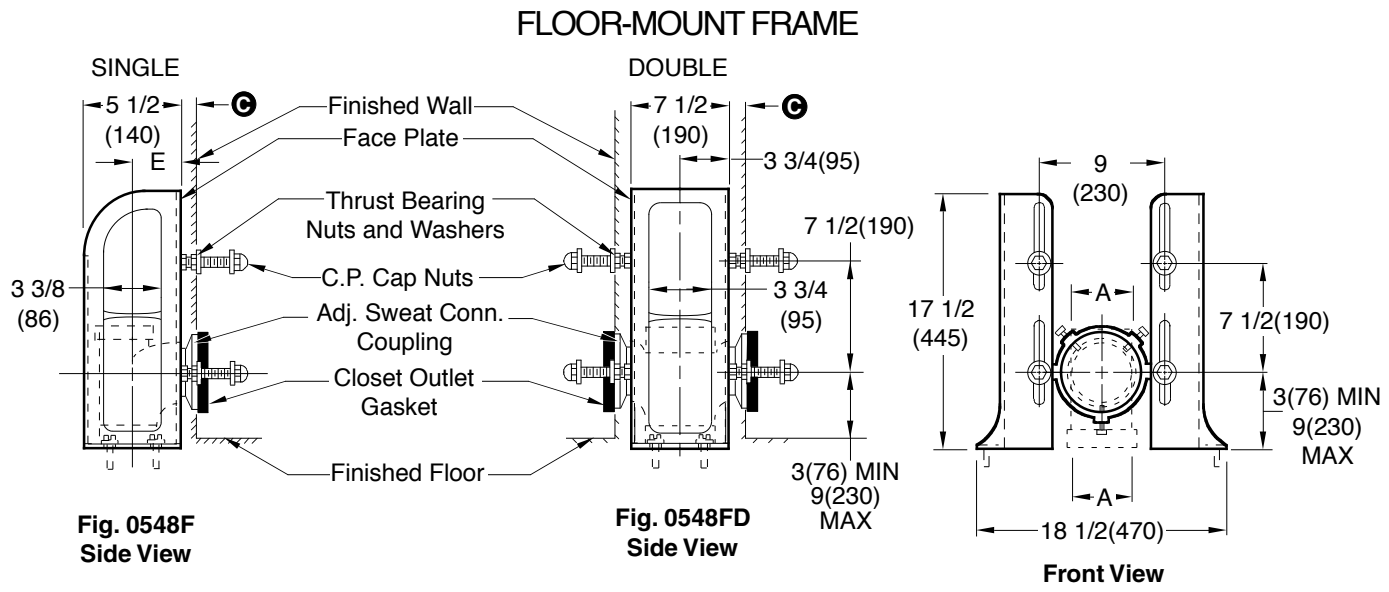


COMPACT FIXTURE SUPPORTS WITHOUT WASTE FITTINGS FOR SIPHON JET WATER CLOSETS

DRAWING NUMBER: S0548F
 SIZE: A
 SCALE: NONE
 DATE: 1-17-86
 APPROVED BY: SB
 CHECKED BY: JD
 DRAWN BY: CM
 FIGURE NUMBER: 0548F
 DIMENSIONS ARE SUBJECT TO MANUFACTURERS TOLERANCE AND CHANGE WITHOUT NOTICE

WE CAN ASSUME NO RESPONSIBILITY FOR USE OF SUPERSEDED OR VOID DATA



- Fig. 0548F-3 3"(75) Copper Sweat
- Fig. 0548F-4 4"(100) Copper Sweat
- Fig. 0548FD-3. . . 3"(75) Copper Sweat

- NOTES:**
1. Coupling should extend 5/16"(8) beyond finished wall.
 2. Double support for use with gravity flush tank type water closets only.
 3. C 1/2"(13) MIN to 1 1/4"(32) MAX as furnished.
 - ▲ 4. Back of fitting extends beyond frame 1/4"(6) for 4"(100) sizes. Recommend use with 2 x 8 studs only.

FIG.	A SIZE	E
0548F-3	3(75)	4(100)
0548F-4	4(100)	5(125)

INSTALLATION INSTRUCTIONS

- A. The center of the stack should be located by the "E" dimension shown on the table. "E" dimension for 0548FD is 3 3/4"(95).
- B. To determine the height of the stack in relation to the finished floor, find closet outlet c/L dimension to be used, then measure down from centerline of closet outlet 2 15/16"(75) for 3"(75) size, and 3 15/16"(100) for 4"(100) size. Fig. 0548FD 3"(75) size only.
- C. Make up stack connection.
- D. Attach copper fitting adaptor to the fitting and lock in place.
- E. Assemble the face plates temporarily to the fitting, mark the location of the bolt holes in the slab, and then secure face plates to the floor.
- F. Face plates are fastened to the arms of the adaptor by means of the fixture studs, nuts and washers provided.
- G. Insert the coupling into the fitting and adjust it to extend 5/16"(8) beyond finished wall, then solder in place.
- H. Assemble the bearing nuts and washers to the fixture supporting studs. The fixture studs should extend 2 1/4"(57) beyond finished wall.
- I. Adjust bearing nuts so that washers extend 1/16"(2) beyond finished wall.
- J. After wall is erected, remove any plaster grout touching the fixture studs, bearing nuts, washers and coupling.
- K. Place gasket in closet recess and set closet on studs protruding from wall making sure that closet outlet is centered on coupling.
- L. Place fiber washers on studs. Apply the two bottom and top left cap nuts, tighten securely. Apply the top right cap nut hand tight and snug up 1/4 turn with wrench.

NOTE: Dimensions shown in parentheses are in millimeters.

REV.	DATE	DESCRIPTION	BY	CKD. BY	WEIGHT POUNDS	VOLUME CUBIC FEET	FIGURE NUMBER
J	11-19-13	Revised Dimensions, Notes	TBW	CL			0548F
G	4-10-13	Remove Notes	TBW	CL			
F	1-27-06	Revised Note & Removed Note	RN	CL			
	8-26-05	Revised Note	TBW	CL			