

COMPACT FIXTURE SUPPORTS

FOR SIPHON JET WATER CLOSETS WITH VERTICAL CENTER LINE FITTINGS

FLOOR MOUNT FRAME FOR NO-HUB SYSTEMS

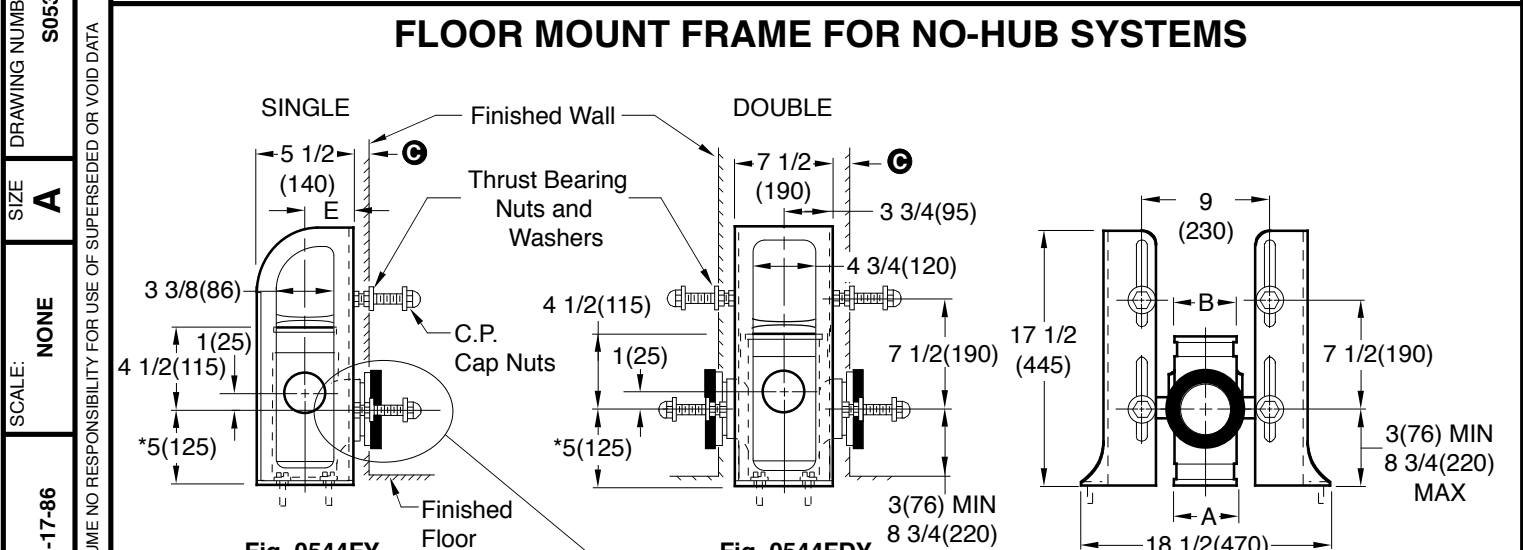


Fig. 0544FY Side View
Fig. 0544FDY Side View
Fig. 0532FY 3"(75) NO-HUB w/2"(51) Vent
Fig. 0533FY 3"(75) NO-HUB w/3"(76) Vent
Fig. 0542FY 4"(100) NO-HUB w/2"(51) Vent
Fig. 0544FY 4"(100) NO-HUB w/4"(100) Vent
Fig. 0544FDY 4"(100) NO-HUB Double w/4"(100) Vent

A SIZE	B SIZE	E
3(75)	2(51)	3(76)
3(75)	3(76)	3(76)
4(100)	2(51)	3 1/2(89)
4(100)	4(100)	3 1/2(89)

Conforms with the requirements of ASME A112.6.1M up to a 500 lbs (227kg) static load rating.

INSTALLATION INSTRUCTIONS

- A. The center of the stack should be located by the "E" dimension shown on the table. "E" dimension for 0544FDY is 3 3/4(95).
- B. To determine the height of the stack in relation to the finished floor, subtract the closet outlet c/L dimension from the 5"(125) dimension.
- C. The fitting should now be coupled into the stack.
- D. Assemble the faceplates temporarily to the fitting, mark the location of the bolt holes in the slab, and then secure faceplates to the floor.
- E. Faceplates are fastened to the arms of the adaptor by means of the fixture studs, nuts and washers provided.
- F. Thread locknut on male thread of adjustable coupling approximately 1"(25) and push "O"-Ring against locknut.
- G. Apply No. 90 Smith Seal to male threads on coupling. Install coupling and adjust it to extend 5/16"(8) beyond finished wall. Thread locknut snugly.
- H. Assemble the bearing nuts and washers to the fixture supporting studs. The fixture studs should extend 2 1/4"(51) beyond finished wall.
 - I. Adjust bearing nuts so that washers extend 1/16"(2) beyond finished wall.
- J. After wall is erected, remove any plaster grout touching the fixture studs, bearing nuts washers and coupling.
- K. Place gasket in closet recess and set closet on studs protruding from wall making sure that closet outlet is centered on coupling.
- L. Place fiber washers on studs. Apply the two bottom and top left cap nuts, tighten securely. Apply the top right cap nut hand tight and snug up 1/4 turn with wrench.

NOTE: Dimensions shown in parentheses are in millimeters.

REV.	DATE	DESCRIPTION	BY	CKD. BY	WEIGHT POUNDS	VOLUME CUBIC FEET	FIGURE NUMBER
							0532FY, 0533FY, 0542FY, 0544FY

DRAWN BY: CM
 CHECKED BY: JD
 APPROVED BY: SB
 DATE: 1-17-86
 SCALE: NONE
 SIZE: A
 DRAWING NUMBER: S0532FY