

DRAWING NUMBER
S0430-0437

SIZE
A

SCALE:
NONE

DATE:
10-27-69

APPROVED BY:

CHECKED BY:
RP

DRAWN BY:
RVB

0430-0437

FIGURE NUMBER

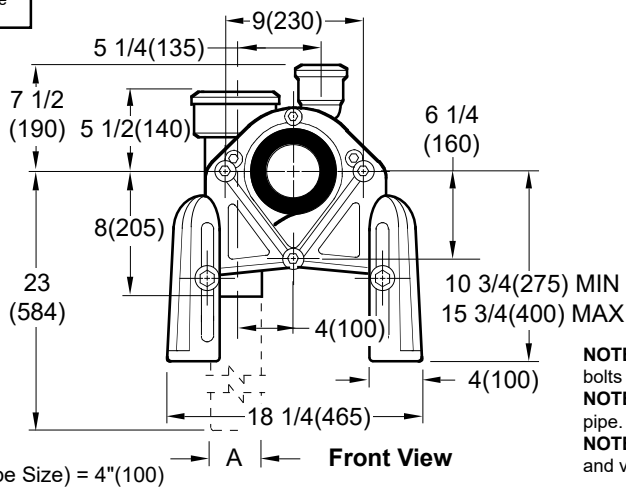
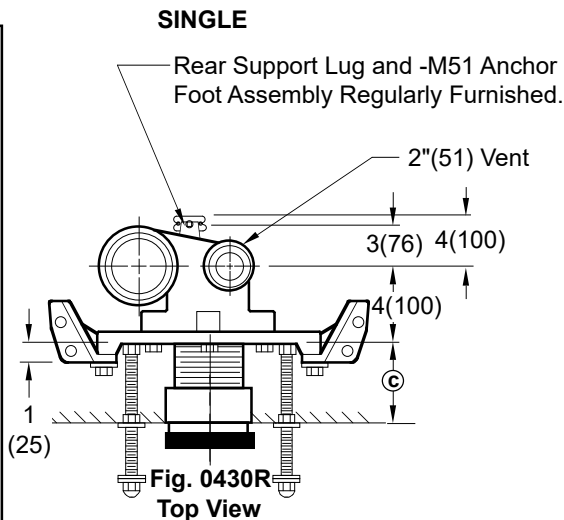
WE CAN ASSUME NO RESPONSIBILITY FOR USE OF SUPERSEDED OR VOID DATA

DIMENSIONS ARE SUBJECT TO MANUFACTURERS TOLERANCE AND CHANGE WITHOUT NOTICE

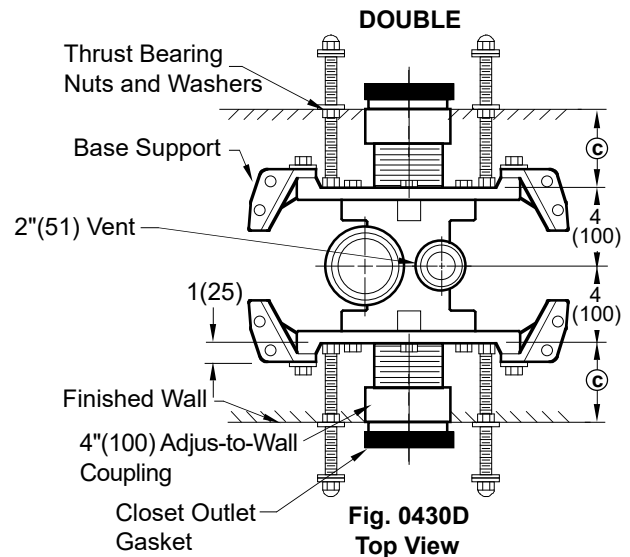
COMPACT FIXTURE SUPPORTS

WITH VERTICAL OFFSET FITTINGS FOR BLOWOUT WATER CLOSETS

The water closet gasket regularly furnished is made of molded neoprene and designed to fit water closet outlet dimensions and configurations shown in ANSI Standard A112.19.2M-1995, Figure 13B. If gasket is not found to be compatible to fixture due to nonconformance of said fixture to ANSI A112.19.2M, then fixture manufacturer shall be consulted for a suitable gasket recommendation. Jay R. Smith assumes no liability for connections to fixtures which do not conform to these standards.



A(Pipe Size) = 4"(100)



- Fig. 0430L..... CAULK Left Hand
- Fig. 0430R..... CAULK Right Hand
- Fig. 0430D..... CAULK Double
- Fig. 0437L..... CAULK L.H. Long Barrel
- Fig. 0437R..... CAULK R.H. Long Barrel
- Fig. 0437D..... CAULK Double Long Barrel

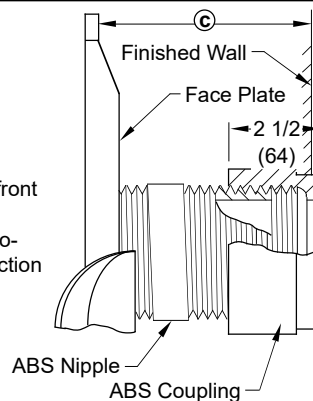
Conforms to ASME A112.6.1M.

- NOTE:** Base support must be securely anchored to floor with four 1/2"(13) bolts provided by contractor.
- NOTE:** When used with concealed flush valve, locate face plate behind supply pipe.
- NOTE:** See reverse side for recommended setting of closet outlet connection and various modifications.

© DIMENSION - ADJUS-TO-WALL TYPE OUTLET CONNECTION

The Smith Adjus-to-Wall outlet connection provides adjustment at the face of the wall at the time the fixture is set; thus, compensating for wall construction variations. The © dimension is measured from the front of the face plate to the finished wall. To properly determine the length of nipple required, deduct 1" (25) from the © dimension. The Adjus-to-Wall coupling will provide 1/2" (13) horizontal adjustment in either direction with the coupling extended 5/16" (8) past face of the finished wall.

© dimension = 4" (100) (regularly furnished) consisting of nipple and Adjus-to-Wall coupling permitting adjustment from 3" (76) min. to 4" (100) max.



NOTE: Dimensions shown in parentheses are in millimeters.

NIPPLE LENGTHS AVAILABLE

LENGTH	MIN	©	MAX
2 1/2 (64)	2 1/4 (57)	3 1/4 (83)	
*3 1/4 (83)	3 (76)	4 (100)	
*8 1/4 (210)	8 (205)	9 (230)	
10 (255)	9 3/4 (250)	10 3/4 (275)	
12 (305)	11 3/4 (300)	12 3/4 (325)	
15 (380)	14 3/4 (375)	15 3/4 (400)	
18 (455)	17 3/4 (450)	18 3/4 (475)	

NOTE: When nipple lengths between 3 1/4" (83) and 8 1/4" (210) are specified, the 8 1/4" (210) nipple will be supplied. Nipple must be cut to specified length by others.

*ABS (Regularly Furnished) other lengths PVC.

REV.	DATE	DESCRIPTION	BY	CKD. BY	WEIGHT POUNDS	VOLUME CUBIC FEET	FIGURE NUMBER
							0430-0437