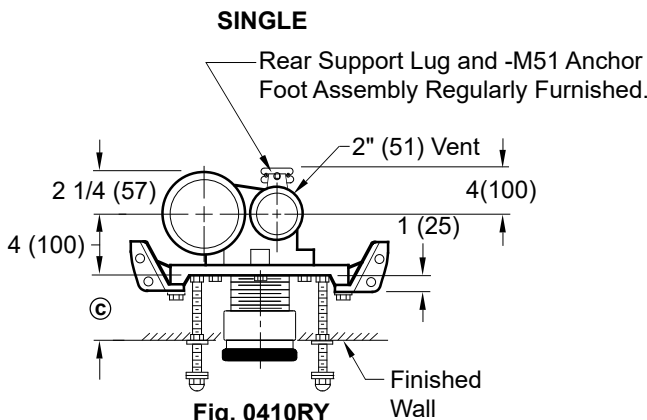
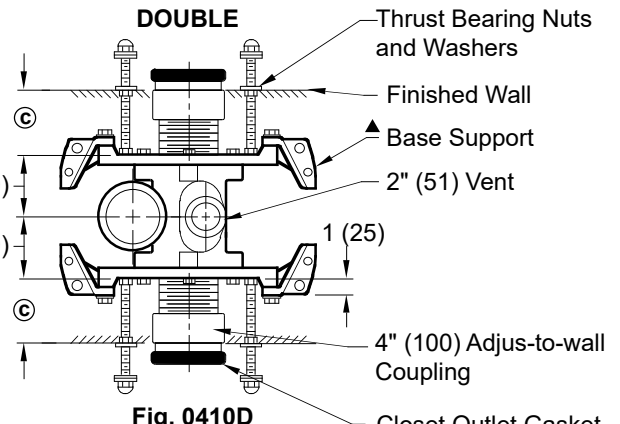


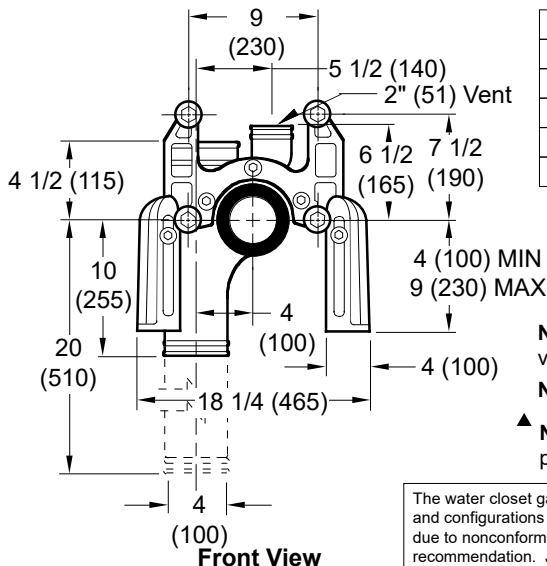
## COMPACT FIXTURE SUPPORTS WITH VERTICAL OFFSET FITTINGS FOR SIPHON JET WATER CLOSETS



**Fig. 0410RY  
Top View**



**Fig. 0410D  
Top View**



**Front View**

- Fig. 0410LY . . . . NO-HUB Left Hand
- Fig. 0410RY . . . . NO-HUB Right Hand
- Fig. 0417LY . . . . NO-HUB L.H. Long Barrel
- Fig. 0417RY . . . . NO-HUB R.H. Long Barrel
- Fig. 0410DY . . . . NO-HUB Double
- Fig. 0417DY . . . . NO-HUB Double Long Barrel

**NOTE:** Dimensions shown in parentheses are in millimeters.

Conforms with the requirements of the ASME A112.6.1M up to 500lbs (227 kg) static live load.

**NOTE:** See reverse side for recommended setting of closet outlet connection and various modifications.

**NOTE:** When used with concealed flush valve locate face plate behind supply pipe.

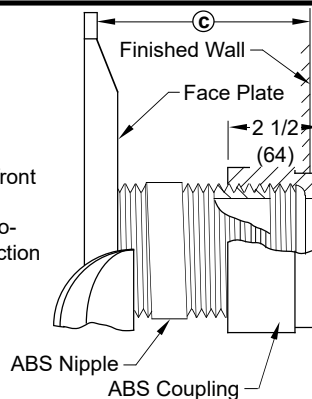
**NOTE:** Base support must be securely anchored to floor (with four 1/2" (13) bolts provided by contractor).

The water closet gasket regularly furnished is made of molded neoprene and designed to fit water closet outlet dimensions and configurations shown in ANSI Standard A112.19.2M-1995, Figure 13B. If gasket is not found to be compatible to fixture due to nonconformance of said fixture to ANSI A112.19.2M, then fixture manufacturer shall be consulted for a suitable gasket recommendation. Jay R. Smith assumes no liability for connections to fixtures which do not conform to these standards.

**© DIMENSION - ADJUS-TO-WALL TYPE OUTLET CONNECTION**

The Smith Adjus-to-Wall outlet connection provides adjustment at the face of the wall at the time the fixture is set; thus, compensating for wall construction variations. The © dimension is measured from the front of the face plate to the finished wall. To properly determine the length of nipple required, deduct 1" (25) from the © dimension. The Adjus-to-Wall coupling will provide 1/2" (13) horizontal adjustment in either direction with the coupling extended 5/16" (8) past face of the finished wall.

© dimension = 4" (100) (regularly furnished) consisting of nipple and Adjus-to-Wall coupling permitting adjustment from 3" (76) min. to 4" (100) max.



**NIPPLE LENGTHS AVAILABLE**

LENGTH	MIN	©	MAX
2 1/2 (64)	2 1/4 (57)	3 1/4 (83)	
*3 1/4 (83)	3 (76)	4 (100)	
*8 1/4 (210)	8 (205)	9 (230)	
10 (255)	9 3/4 (250)	10 3/4 (275)	
12 (305)	11 3/4 (300)	12 3/4 (325)	
15 (380)	14 3/4 (375)	15 3/4 (400)	
18 (455)	17 3/4 (450)	18 3/4 (475)	

**NOTE:** When nipple lengths between 3 1/4" (83) and 8 1/4" (210) are specified, the 8 1/4" (210) nipple will be supplied. Nipple must be cut to specified length by others.

\*ABS (Regularly Furnished) other lengths PVC.

DRAWING NUMBER **S0410Y**  
 SIZE **A**  
 SCALE: **NONE**  
 DATE: **9-15-76**  
 APPROVED BY:  
 CHECKED BY: **RS**  
 DRAWN BY: **JMA**  
**0410Y,0417Y**  
 FIGURE NUMBER

WE CAN ASSUME NO RESPONSIBILITY FOR USE OF SUPERSEDED OR VOID DATA  
 DIMENSIONS ARE SUBJECT TO MANUFACTURERS TOLERANCE AND CHANGE WITHOUT NOTICE

REV.	DATE	DESCRIPTION	BY	CKD. BY	WEIGHT POUNDS	VOLUME CUBIC FEET	<b>FIGURE NUMBER</b> <b>0410Y,0417Y</b>