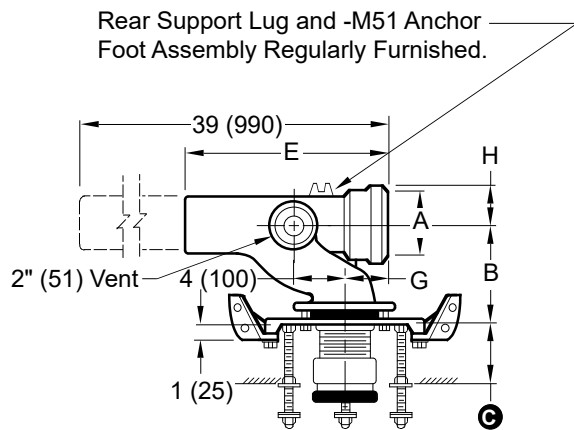


# ADJUSTABLE FIXTURE SUPPORTS

## SHALLOW ROUGH-IN TYPE FOR BLOWOUT WATER CLOSETS

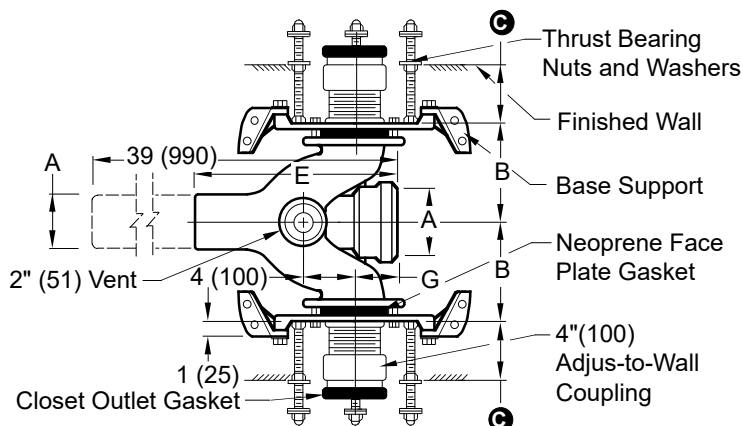
### HORIZONTAL FITTINGS

#### SINGLE



**Fig. 0310R**  
Top View

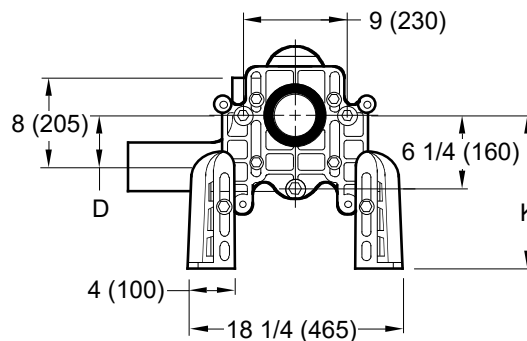
#### DOUBLE



**Fig. 0310D**  
Top View

- Fig. 0310L . . . . CAULK LEFT HAND
- Fig. 0310R . . . . CAULK RIGHT HAND
- Fig. 0310D . . . . CAULK DOUBLE
- Fig. 0320L . . . . CAULK L.H. LONG BARREL
- Fig. 0320R . . . . CAULK R.H. LONG BARREL
- Fig. 0320D . . . . CAULK DOUBLE LONG BARREL

**NOTE:** When used with concealed flush valve locate face plate behind supply pipe.  
**NOTE:** Base support must be securely anchored to floor with four 1/2" (13) bolts provided by contractor.  
**NOTE:** See opposite side for  $\odot$  dimension and optional outlet connections.



**BLOWOUT**  
Front View

A SIZE	B	D BLOWOUT		E	G	H	K BLOWOUT	
		MIN	MAX				MIN	MAX
4 (100)	7 (180)	1 7/8 (48)	4 3/4 (120)	16 (405)	3 3/8 (89)	3 (76)	10 3/4 (275)	15 3/4 (400)
5 (125)	9 (230)	1 7/8 (48)	4 3/4 (120)	16 (405)	3 3/8 (86)	3 1/2 (89)	10 3/4 (275)	15 3/4 (400)

**NOTE:** Dimensions shown in parentheses are in millimeters.

The water closet gasket regularly furnished is made of molded neoprene and designed to fit water closet outlet dimensions and configurations shown in ANSI Standard A112.19.2M-1982, Figure 13B. If gasket is not found to be compatible to fixture due to nonconformance of said fixture to ANSI A112.19.2M, then fixture manufacturer shall be consulted for a suitable gasket recommendation. Jay R. Smith assumes no liability for connections to fixtures which do not conform to these standards.

Conforms to ASME A112.6.1M.

DRAWING NUMBER S0310  
 SIZE A  
 SCALE: NONE  
 DATE: 12-18-89  
 APPROVED BY: JD  
 CHECKED BY: CR  
 DRAWN BY: EMB  
 DIMENSIONS ARE SUBJECT TO MANUFACTURERS TOLERANCE AND CHANGE WITHOUT NOTICE  
 WE CAN ASSUME NO RESPONSIBILITY FOR USE OF SUPERSEDED OR VOID DATA

**0310, 0320**

FIGURE NUMBER	C B A	4-16-24 1-30-98 4-20-94	Added ASME Note Added Millimeters Submittal Update	HS EMB	CL BS BS	WEIGHT POUNDS	VOLUME CUBIC FEET	FIGURE NUMBER <b>0310, 0320</b>
REV.	DATE	DESCRIPTION		BY	CKD. BY			