

ADJUSTABLE FIXTURE SUPPORTS SHALLOW ROUGH-IN

NO-HUB VERTICAL FITTINGS WITH SIDE INLET BARIATRIC DUTY - 1000 LBS.

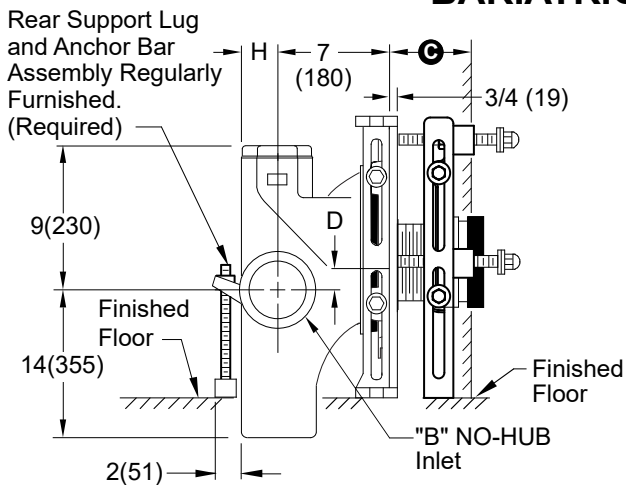


Fig. 0240LY-M54-XK
Side View
SINGLE

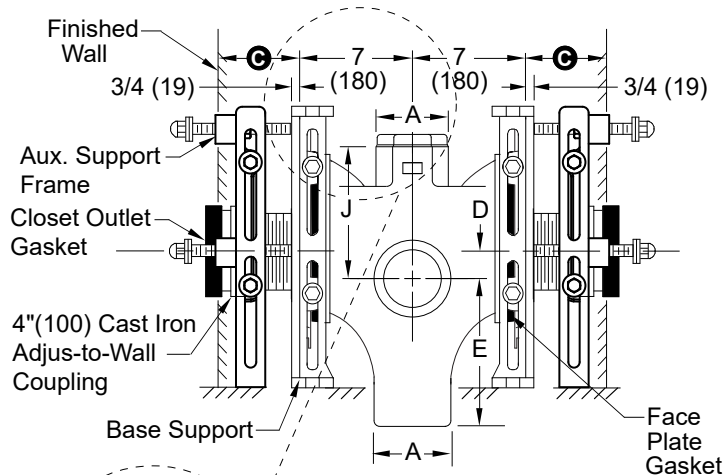
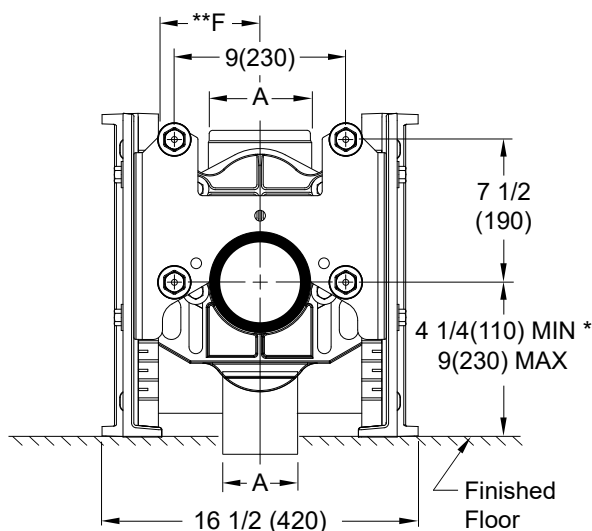
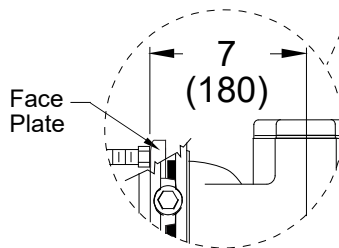


Fig. 0240DY-M54-XK
Side View



Front View
SINGLE

- Fig. 0240LY-M54-XK ... NO-HUB L.H. Inlet
- Fig. 0240RY-M54-XK ... NO-HUB R.H. Inlet
- Fig. 0240DY-M54-XK ... NO-HUB Double

Jay R. Smith 0240Y-M54-XK complies with and/or exceeds all requirements of ASME A112.6.1M up to 1000 lbs.

A x B SIZE	MIN	D MAX	E	**F	H	J
4(100) x 4(100)	1 1/2(38)	4 1/4(110)	14(355)	5 1/4(135)	2 1/4(57)	9(230)
5(125) x 4(100)	1 1/2(38)	4 1/4(110)	11 1/2(290)	6 1/2(165)	2 3/4(70)	11 1/2(290)
6(150) x 4(100)	1 1/2(38)	4 1/4(110)	11 1/2(290)	6 1/4(160)	3 1/4(83)	11 1/2(290)

NOTE: Base support must be securely anchored to floor with 1/2" (13) anchors able to withstand a pull-out force of 500 lbs (227 kg). The rear anchor bar must be securely anchored to floor with 1/2" (13) anchors able to withstand a pull-out force of 1000 lbs (454 kg). Pull-out forces are calculated values, no safety factor has been applied.

NOTE: Shallower minimum rough-in dimension to accommodate lower rough bowls available. Specify dimension required.

NOTE: 1 1/2"(38) or 2"(51) tapped inlet available. Add suffix -N.

NOTE: *9"(230) core drilled hole is required for rough-in 4 1/4(110) thru 6 1/2(165).

⊙ dimension = 4 1/4" (110) to 5 1/4" (135) with regularly furnished 4 1/2" (115) cast iron nipple and Adjus-to-Wall coupling.

NOTE: Dimensions shown in parentheses are in millimeters.

** dimension is from centerline of vent to centerline of stack.

DRAWING NUMBER
S0240Y-M54-XK

SIZE
A

SCALE:
NONE

DATE:
10/08/07

APPROVED BY:
CL

CHECKED BY:
CL

DRAWN BY:
JJ

FIGURE NUMBER
0240Y-M54-XK

WE CAN ASSUME NO RESPONSIBILITY FOR USE OF SUPERSEDED OR VOID DATA

DIMENSIONS ARE SUBJECT TO MANUFACTURERS TOLERANCE AND CHANGE WITHOUT NOTICE

REV.	DATE	DESCRIPTION	BY	CKD. BY	WEIGHT POUNDS	VOLUME CUBIC FEET	FIGURE NUMBER
F	6-19-24	Revised Chart Revised Figure Options 3/4 (19) was 1/2 (13) Corrected Support Views	HS	CL			0240Y-M54-XK
D	6-10-22		KK	CL			
J	11/20/09		JJ	CL			
C	10/08/08		JJ	CL			