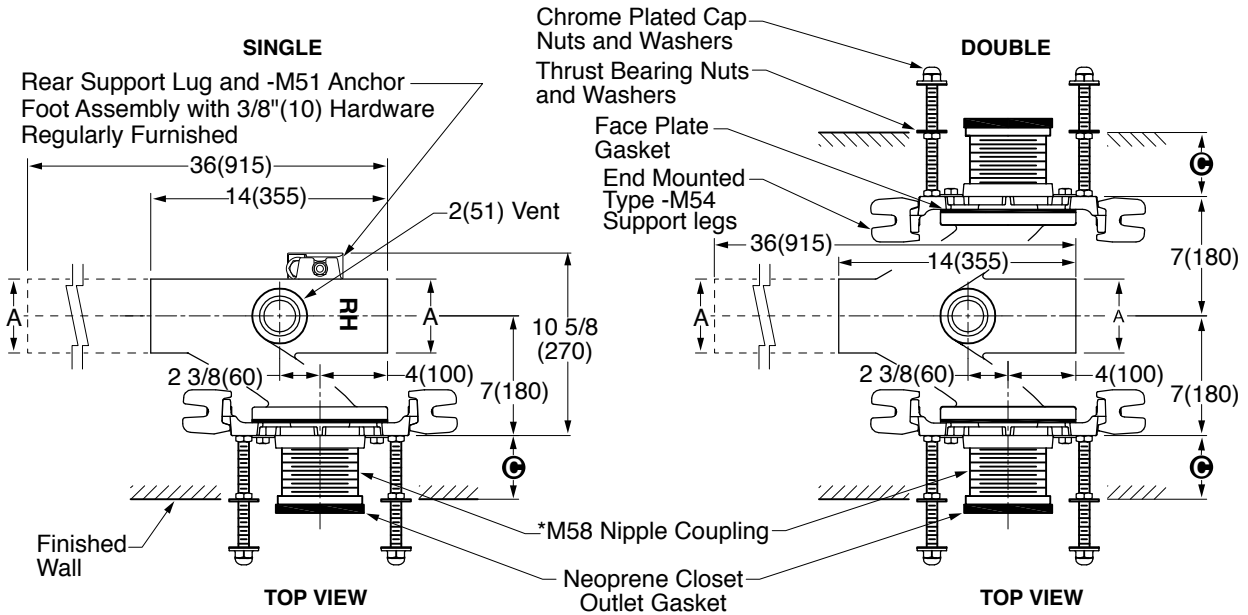
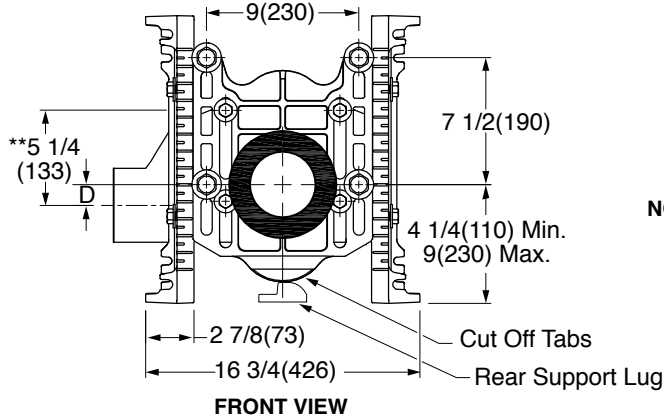


ADJUSTABLE FIXTURE SUPPORTS FOR SIPHON JET WATER CLOSETS



NOTES:

1. Base Support must be securely anchored to the floor (with one 1/2" (13) bolt per base support provided by installer.)
2. All single supports shall have the rear support lug anchored with 1/2" (13) bolt by contractor to assure a rigid installation. The rear support completes the 3 point anchoring system for ultimate stability of the installation.
3. Dimensions shown in parentheses are in millimeters.
4. **Dimension to top of vent.



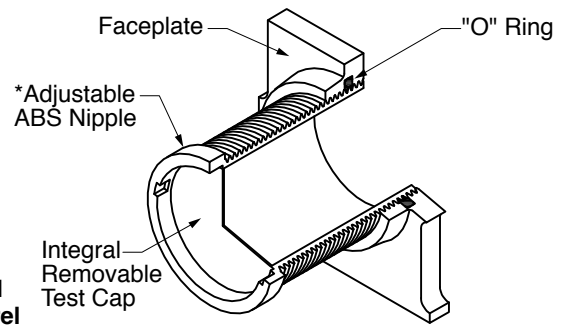
A	D	
SIZE	MIN	MAX
4(100)	5/8(16)	3 3/8(87)

NOTE: Cast Iron Components are Duco Coated.

*LENGTH	MIN	MAX
10(255)	8 3/4"(222)	9 3/4"(247)

*NOTE: When nipple lengths between 3 1/4"(83) and 9 3/4"(247) are specified, the 10"(255) nipple will be supplied. The threaded end of nipple must be cut to specified length by others.

- Fig. 0211LY (-M58-M54) NO-HUB Left Hand
- Fig. 0211RY (-M58-M54) NO-HUB Right Hand
- Fig. 0211DY (-M58-M54) NO-HUB Double
- Fig. 0221LY (-M58-M54) NO-HUB Left Hand Long Barrel
- Fig. 0221RY (-M58-M54) NO-HUB Right Hand Long Barrel
- Fig. 0221DY (-M58-M54) NO-HUB Double Long Barrel



*ABS (Regularly Furnished)

DRAWING NUMBER: s0211Y, 0221Y (-M58-M54)
 SIZE: A
 SCALE: NONE
 DATE: 4-4-12
 APPROVED BY: JM
 CHECKED BY: AM
 DRAWN BY: CR
 DIMENSIONS ARE SUBJECT TO MANUFACTURERS TOLERANCE AND CHANGE WITHOUT NOTICE
 WE CAN ASSUME NO RESPONSIBILITY FOR USE OF SUPERSEDED OR VOID DATA

REV.	DATE	DESCRIPTION	BY	CKD. BY	WEIGHT POUNDS	VOLUME CUBIC FEET	FIGURE NUMBER
G	7-6-17	Added Note	TBW	JM			0211Y (-M58-M54) 0221Y (-M58-M54)
F	9-21-15	Rev. Callout, Note	TBW	CL			
E	10-27-14	Added 0221Y (-M58-M54)	TBW	CL			
D	8-5-13	Rev. Note, Callouts	TBW	JM			