

ADJUSTABLE FIXTURE SUPPORTS FOR SIPHON JET WATER CLOSETS

DRAWING NUMBER
s0211Y, 0221Y (-M54)

SIZE
A

SCALE:
NONE

DATE:
4-3-12

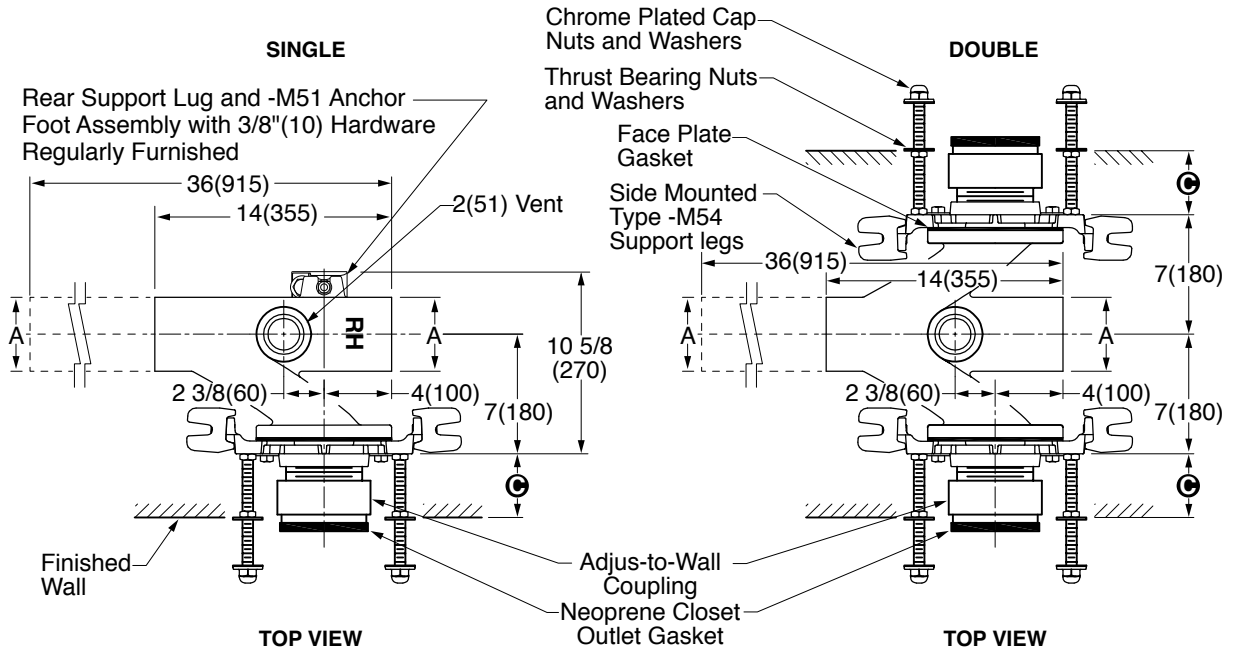
APPROVED BY:
JM

CHECKED BY:
AM

DRAWN BY:
CR

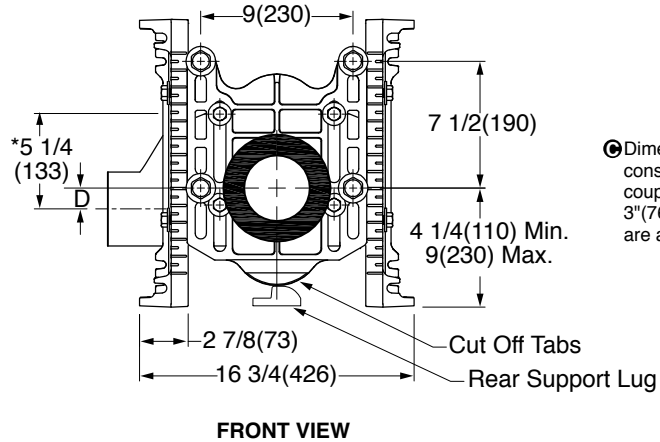
0211Y (-M54)
0221Y (-M54)

WE CAN ASSUME NO RESPONSIBILITY FOR USE OF SUPERSEDED OR VOID DATA



NOTES:

1. Base Support must be securely anchored to the floor (with one 1/2"(13) bolt per base support provided by installer.)
2. All single supports shall have the rear support lug anchored by contractor to assure a rigid installation. The rear support completes the 3 point anchoring system for ultimate stability of the installation.
3. Dimensions shown in parentheses are in millimeters.
4. *Dimension to top of vent.



A SIZE	D	
	MIN	MAX
4(100)	5/8(16)	3 3/8(87)

⊕ Dimension = 4"(100) (Regularly Furnished) consisting of nipple and Adjust-to-Wall coupling permitting adjustment from 3"(76) min. to 4"(100) max. Longer nipples are available, specify ⊕ dimension.

NOTE: Cast Iron Components are Duco Coated.

- Fig. 0211LY (-M54) NO-HUB Left Hand
- Fig. 0211RY (-M54) NO-HUB Right Hand
- Fig. 0211DY (-M54) NO-HUB Double
- Fig. 0221LY (-M54) NO-HUB Left Hand Long Barrel
- Fig. 0221RY (-M54) NO-HUB Right Hand Long Barrel
- Fig. 0221DY (-M54) NO-HUB Double Long Barrel

REV.	DATE	DESCRIPTION	BY	CKD. BY	WEIGHT POUNDS	VOLUME CUBIC FEET	FIGURE NUMBER 0211Y (-M54) 0221Y (-M54)
E	7-6-17	Added Note	TBW	JM			
D	9-21-15	Revised Callout	TBW	CL			
C	10-27-14	Added 0221Y (-M54)	TBW	CL			
B	8-5-13	Rev. Notes	TBW	JM			