

ADJUSTABLE FIXTURE SUPPORTS

FOR SIPHON JET WATER CLOSETS SHALLOW ROUGH-IN TYPE

DRAWING NUMBER
s0208Y

SIZE
A

SCALE:
NONE

DATE:
3-24-99

APPROVED BY:
WAS

CHECKED BY:
WAS

DRAWN BY:
CMD

FIGURE NUMBER
0208Y

WE CAN ASSUME NO RESPONSIBILITY FOR USE OF SUPERSEDED OR VOID DATA

DIMENSIONS ARE SUBJECT TO MANUFACTURERS TOLERANCE AND CHANGE WITHOUT NOTICE

NO-HUB HORIZONTAL FITTINGS

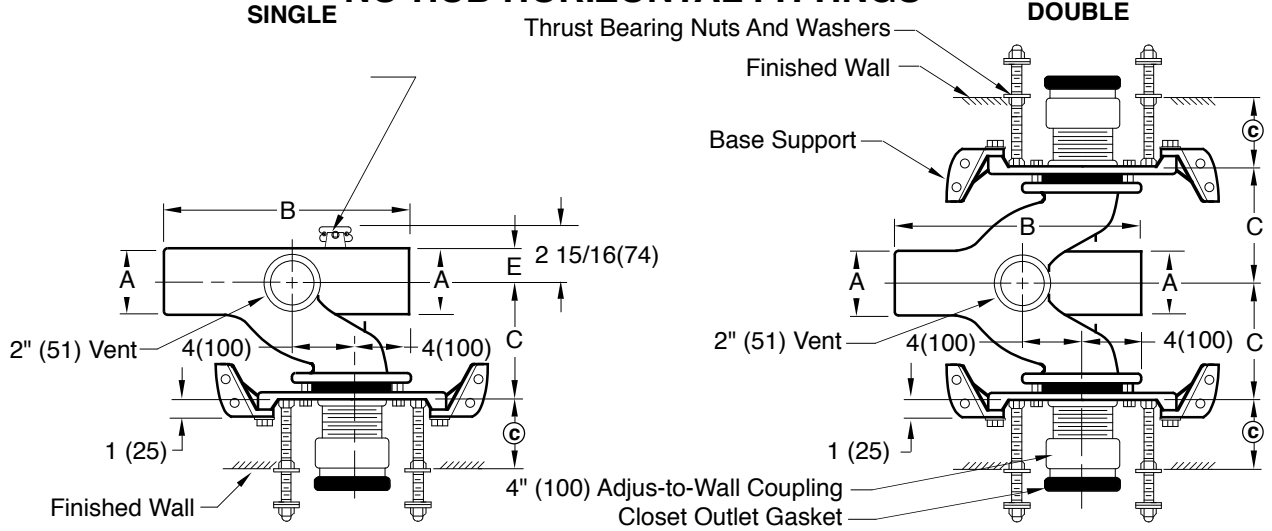
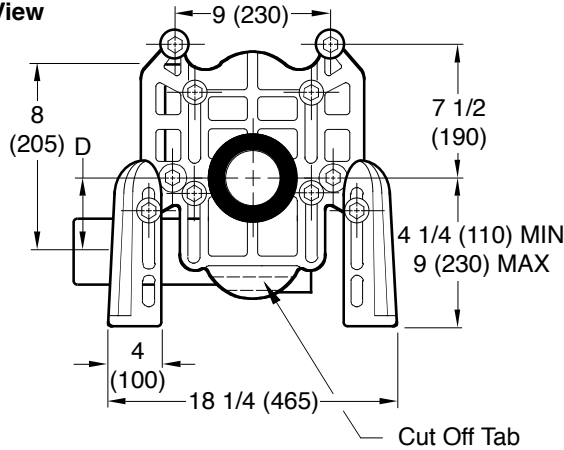


Fig. 0208RY
Top View

Fig. 0208DY
Top View



Front View

- Fig. 0208LY. . . NO-HUB Left Hand
- Fig. 0208RY. . . NO-HUB Right Hand
- Fig. 0208DY. . . NO-HUB Double

A SIZE	B	C	D		E
			MIN	MAX	
3 (75)	14 (355)	5 5/16 (136)	5/8 (16)	3 3/8 (86)	1 11/16 (43)

Conforms with the requirements of ASME A112.6.1M up to a 500 lbs (227kg) static load rating.

©

REV.	DATE	DESCRIPTION	BY	CKD. BY	WEIGHT POUNDS	VOLUME CUBIC FEET	FIGURE NUMBER 0208Y
	12-7-22	Added Note	KK	CL			
	7-17-00	Revised Dim.	TBW	BS			
	5-6-99	Revised Fig. No.	CMD	JM			

C

SMITH® JAY R. SMITH MFG. CO.®
 MEMBER OF MORRIS GROUP INTERNATIONAL
 POST OFFICE BOX 3237
 MONTGOMERY, ALABAMA 36109-0237 (USA)
 TEL: 334-277-8520 FAX: 334-272-7396 www.jrsmith.com



LOCATION

DRAWING NUMBER
S0200BS

SIZE
A

SCALE:
NONE

DATE:
2-28-86

APPROVED BY:
JD

CHECKED BY:
CR

DRAWN BY:
VGD

0200/0300 Series
Back Sheet

FIGURE
NUMBER

WE CAN ASSUME NO RESPONSIBILITY FOR USE OF SUPERSEDED OR VOID DATA

DIMENSIONS ARE SUBJECT TO MANUFACTURERS TOLERANCE AND CHANGE WITHOUT NOTICE

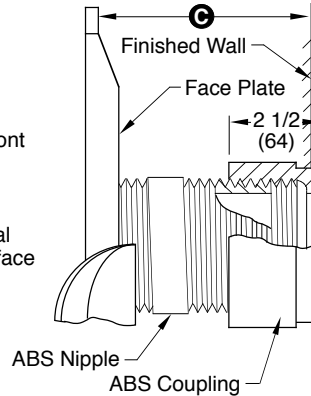
MODIFICATIONS & VARIATIONS

⊙ DIMENSION - ADJUS-TO-WALL TYPE OUTLET CONNECTION

The Smith Adjus-to-Wall outlet connection provides adjustment at the face of the wall at the time the fixture is set; thus, compensating for wall construction variations. The ⊙ dimension is measured from the front of the face plate to the finished wall. To properly determine the length of nipple required, deduct 1" (25) from the ⊙ dimension. When the ⊙ dimension exceeds 7" (180), the -M40 Wide Pipe Chase Support is recommended. The Adjus-to-Wall coupling will provide 1/2" (13) horizontal adjustment in either direction with the coupling extended 5/16" (8) past face of the finished wall.

⊙ dimension = 4" (100) (regularly furnished) consisting of nipple and adjus-to-wall coupling permitting adjustment from 3" (76) min. to 4" (100) max.

*ABS (Regularly Furnished) other length PVC.



NIPPLE LENGTHS AVAILABLE

LENGTH	MIN	⊙ MAX
2 1/2 (64)	2 1/4 (57)	3 1/4 (83)
*3 1/4 (83)	3 (76)	4 (100)
*8 1/4 (210)	8 (205)	9 (230)
10 (255)	9 3/4 (250)	10 3/4 (275)
12 (305)	11 3/4 (300)	12 3/4 (325)
15 (380)	14 3/4 (376)	15 3/4 (400)
18 (455)	17 3/4 (450)	18 3/4 (475)

NOTE: When nipple lengths between 3 1/4" (83) and 8 1/4" (210) are specified, the 8 1/4" (210) nipple will be supplied. Nipple must be cut to specified length by others.

RECOMMENDED SETTING OF CLOSET OUTLET CONNECTION AND FIXTURE STUDS

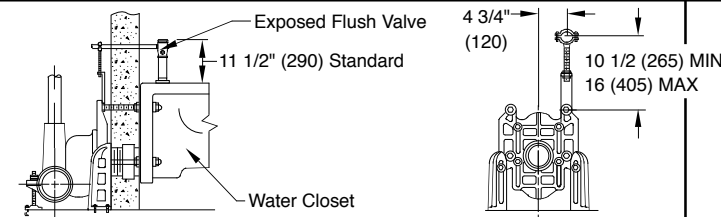
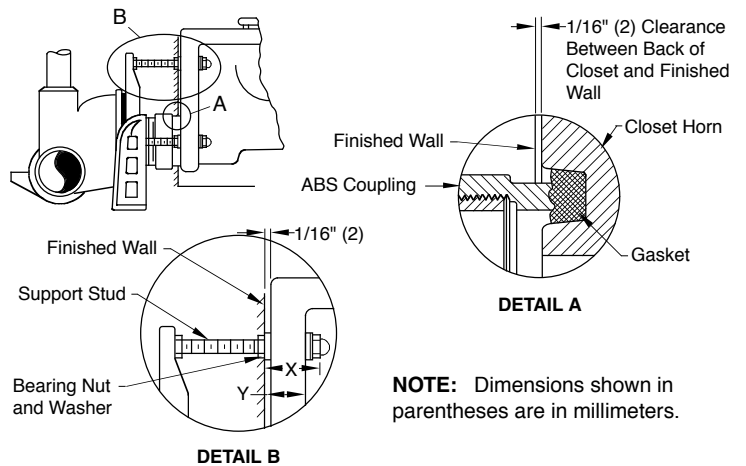
Manufacturers have slight differences in the depth of the closet horn and flange thickness of their closets. Usually the fixture support closet connection should extend 5/16" (8) beyond face of finished wall (Dimension "R") and the fixture studs 2 1/4" (57) (Dimension "X"). For exact dimensions please use the formulas below.

DETAIL A Formula for "R" is: S + 1/16" (2) - D = R.

S = Depth of closet horn
 1/16" (2) = Distance closet is to set away from finished wall.
 D = 1/2" (13) for felt gasket and 3/8" (10) for neoprene gasket.
 R = Distance coupling should extend beyond finished wall.
 NOTE: When the fixture is installed, closet gasket must be compressed sufficiently to assure a gas and water-tight seal.

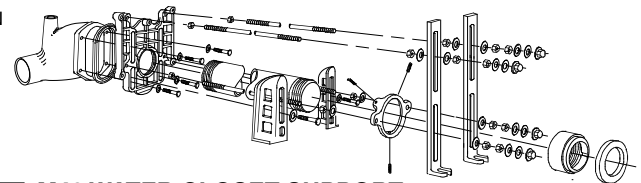
DETAIL B Formula for "X" is: Y + 1/16" (2) + 9/16" (14) = X.

Y = Thickness of closet wall flange.
 1/16" (2) = Distance closet is to set away from finished wall.
 X = Distance supporting stud should extend beyond finished wall.
 NOTE: Bearing nuts and washers must be set to take full loading from the fixture allowing 1/16" (2) clearance between fixture and wall.

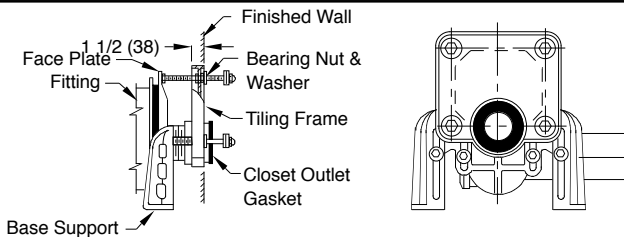


Provides support and alignment for the supply pipe to an exposed flush valve; must be specified for either 1" (25) copper tube or 1" (25) iron pipe.

SUFFIX -M12 EXPOSED FLUSH VALVE SUPPLY SUPPORT



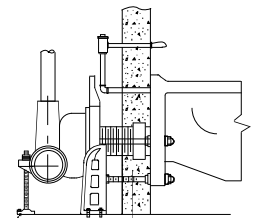
-M40 WATER CLOSET SUPPORT FOR WIDE PIPE CHASE (USE WHEN ⊙ DIMENSION EXCEEDS 7" (180))



SUFFIX -M13 TILING FRAME - POLYSTYRENE

CONCEALED FLUSH VALVES

A concealed flush valve when used with a blowout water closet support will not clear the face plate. Therefore 4 1/2" (115) to 6 1/2" (165) is required from back of wall to face plate to permit the installation of the concealed flush valve piping.



REV.	DATE	DESCRIPTION	BY	CKD. BY
C	12-10-03	Revised Notes	RN	CL
B	6-1-95	Added Millimeters	EMB	BS
A	7-1-93	Submittal Update	EMB	BS

WEIGHT POUNDS	VOLUME CUBIC FEET

FIGURE NUMBER
0200/0300 Series Back Sheet