

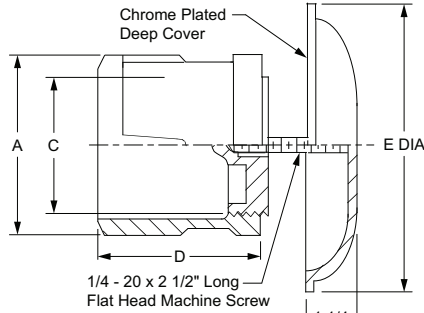
# CLEANOUTS

## FIG. 4420-4422 SERIES CAULK FERRULE CLEANOUT TAPER THREAD PLUG W/ROUND ACCESS COVER

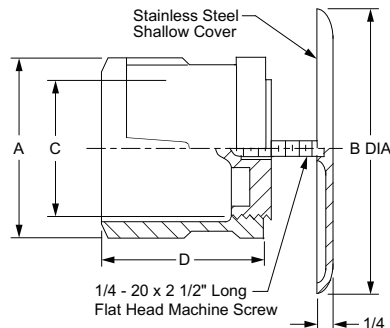


CUSTOMER DRIVEN SINCE 1926

**FUNCTION:** Used in hub openings in drainage piping where a cleanout is required. Ribbing on outside of ferrule prevents turning of ferrule in the caulking lead. Face-of-wall cover is desirable on finished walls.



**Fig. 4421**



**Fig. 4422**

**OPTIONS:**

-LS	6" Long Center Screw.....	<b>ADD</b>	<b>45.00</b>
-TP	"T" Handle for Plug.....		<b>77.00</b>
-U	Vandal Proof Screw.....		<b>96.00</b>

LESS COVER	PLUG MATERIAL		A - PIPE SIZE:	Δ02"	Δ03"	Δ04"	05"	06"	08"
4420CI	CI Ferrule and Brz Plug			96.00	149.00	205.00	307.00	420.00	778.00
4420BRZ	All Bronze			POA	POA	POA	POA	POA	POA
WITH DEEP COVER	PLUG MATERIAL	COVER MATERIAL	A - PIPE SIZE: B - COVER SIZE DIA:	Δ02"	Δ03"	Δ04"	05"	06"	08"
4421	CI Ferrule and Brz Plug	†Chrome Plated (CP)		431.00	487.00	540.00	644.00	1,007.00	1,594.00
		Stainless Steel (-SS)		773.00	829.00	882.00	986.00	1,349.00	1,936.00
WITH SHALLOW COVER	PLUG MATERIAL	A - PIPE SIZE: COVER MATERIAL	B - COVER SIZE DIA:	Δ02"	Δ03"	Δ04"	05"	06"	08"
4422	CI Ferrule and Brz Plug	†Stainless Steel (-SS)		231.00	286.00	343.00	479.00	726.00	1,256.00
		Prime Coated Steel (-PC)		310.00	365.00	422.00	558.00	805.00	1,335.00
		Polished Bronze (-PB)		188.00	243.00	300.00	436.00	683.00	1,213.00
			C - SIZE	1 1/2"	2 1/2"	3 1/2"	4"	5"	6"
			D	3 1/2"	3 3/4"	4 1/4"	4 1/4"	4 1/4"	4 1/2"
			E DIA	*7 1/4"	*7 1/4"	*7 1/4"	*7 1/4"	9 1/4"	11 1/4"
			APPROX WT. LBS.	5	8	13	16	21	26

\*Die Formed SS Cover Only

ΔSized for Service Weight and/or NO-HUB

**REGULARLY FURNISHED:** Duco Cast Iron Caulk Ferrule with Cast Bronze Taper Thread Plug with SS Round Cover and Screws. Type of Cover as Indicated by Figure Number Selected.