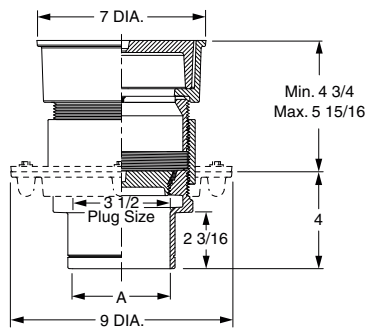


CLEANOUTS

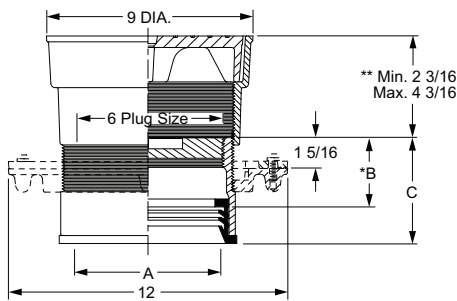
FIG. 4240 SERIES UNFINISHED FLOOR CLEANOUTS W/ADJUSTABLE ROUND CAST IRON TOP W/TRACTOR COVER



FUNCTION: Used in unfinished areas where a loose set, non-tilt tractor cover is desired. Will withstand heavy load traffic.



4240 Series
2" - 5" Sizes



4239 Series
6" & 8" Sizes

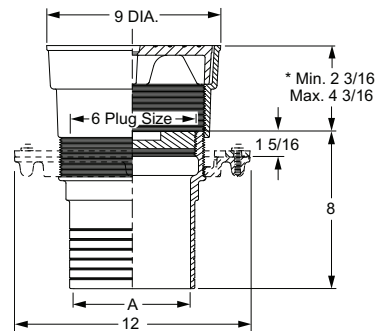
A SIZE	B	C
06	*3	4 9/16
08	*3 1/4	4 13/16

OPTIONS:

-CSS	Center Securing Screw	ADD	96.00
-DX	Wide Flange		471.00
-F	Flange		N/C
-FC	Flange w/Flashing Clamp		107.00
-G	Galvanized CI		219.00
-IP	Iron Plug (In lieu of ABS)		96.00
-M	Ductile Iron Cover		304.00
-U	VP Center Securing Screw		96.00

REPLACEMENT COVERS:

4240-4-NS	338.00
4240-6-NS	641.00
4240-4M-NS	641.00
4240-6M-NS	944.00
4240-4NBT-NS	634.00
4240-6NBT-NS	952.00
4240-4PBT-NS	574.00
4240-6PBT-NS	887.00



4243 Series
6" & 8" Sizes

NOTE: When Flange -F is specified, Min. 2 3/16" becomes 2 11/16"

WITH ABS PLUG	SPIGOT• OUTLET	INSIDE CAULK OUTLET	SPEEDI- SET* OUTLET	A - OUTLET SIZE						
				COVER MATERIAL	02"	03"	04"	•05"	**06"	**08"
Gasket Seal Plug	4240S	4245C	4237L	†Duco Cast Iron (-CI)	420.00	487.00	596.00	1,009.00	-	-
				Nickel Bronze (-NB)	695.00	762.00	907.00	1,618.00	-	-
				Polished Bronze (-PB)	637.00	704.00	846.00	1,558.00	-	-
Taper Thread Plug	4244S	4249C	4236L	†Duco Cast Iron (-CI)	420.00	487.00	596.00	1,009.00	-	-
				Nickel Bronze (-NB)	695.00	762.00	907.00	1,618.00	-	-
				Polished Bronze (-PB)	637.00	704.00	846.00	1,558.00	-	-
WITH BRZ PLUG	SPIGOT• OUTLET	INSIDE CAULK OUTLET	SPEEDI- SET* OUTLET	A - OUTLET SIZE						
				COVER MATERIAL	02"	03"	04"	•05"	**06"	**08"
Gasket Seal Plug	4241S	4246C	4238L	†Duco Cast Iron (-CI)	613.00	682.00	793.00	1,197.00	-	-
				Nickel Bronze (-NB)	888.00	957.00	1,104.00	1,806.00	-	-
				Polished Bronze (-PB)	830.00	899.00	1,043.00	1,746.00	-	-
Taper Thread Plug	**4243S		**4239L	†Duco Cast Iron (-CI)	613.00	682.00	793.00	1,197.00	1,756.00	2,023.00
				Nickel Bronze (-NB)	888.00	957.00	1,104.00	1,806.00	2,370.00	2,821.00
				Polished Bronze (-PB)	830.00	899.00	1,043.00	1,746.00	2,312.00	2,759.00
Taper Thread Plug		4248C		†Duco Cast Iron (-CI)	613.00	682.00	793.00	-	-	-
				Nickel Bronze (-NB)	888.00	957.00	1,104.00	-	-	-
				Polished Bronze (-PB)	830.00	899.00	1,043.00	-	-	-
APPROX WT. LBS.				15	18	20	29	32	36	

REGULARLY FURNISHED: Duco Cast Iron Cleanout with Round Adjustable Scoriated Cast Iron Top with Non-Tilt Tractor Cover. Closure Plug Type as Indicated by Figure Number Selected.

**6 & 8" Available w/Bronze Taper Plug Only.

5, 6 & 8" Not Available w/Inside Caulk Outlet.

* Speedi-Set Outlet Available with 2, 3, 4, 6 or 8" Connection Only. Specify Service Weight (L), Extra Heavy (LXH) or PVC (LPVC). LPVC applies to 6" pipe size only.

• Spigot Ferrules are Suitable for use with No-Hub Connections.

♦ 5" Available w/Spigot Outlet Only.