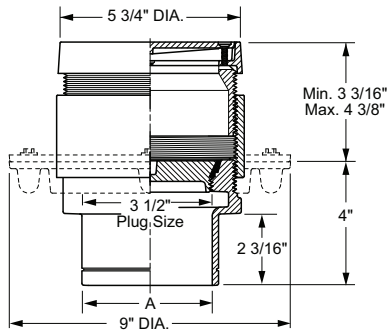


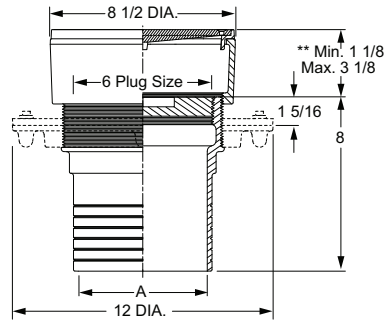
CLEANOUTS

FIG. 4020-4033 SERIES FINISHED FLOOR CLEANOUTS W/ADJUSTABLE ROUND MEDIUM DUTY TOPS

FUNCTION: For use in finished floors bearing foot and medium load wheeled traffic. Allows for easy floor level adjustment.



4020 SERIES



4023 SERIES

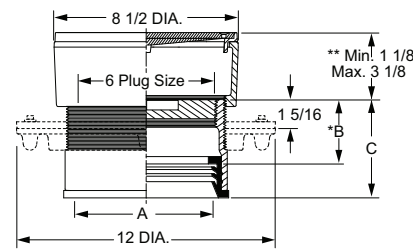


OPTIONS:

-DX	Wide Flange	471.00	ADD
-F	Flange	N/C	
-FC	Flange w/Flashing Clamp	107.00	
-G	Galvanized Cl	219.00	
-IP	Iron Plug (In lieu of ABS).....	96.00	
-NBSS	Stainless Steel Top (2", 3" & 4" sizes)	540.00	
-U	Vandal Proof Screws	96.00	
-X	Carpet Clamping Type	285.00	
-Y	Carpet Marker Type	77.00	

REPLACEMENT COVERS:

4020NBTP4-NS	634.00	LIST
4020NBTP6-NS	801.00	
4020NBTP4-NS-SS.....	1,233.00	
4020PBTP4-NS	574.00	
4020PBTP6-NS	741.00	



4033 SERIES

A SIZE	B	C
06	*3	4 9/16
08	*3 1/4	4 13/16

NOTE: When Flange -F is specified, Min. 1 1/8" becomes 1 5/8"

WITH ABS PLUG	SPIGOT• OUTLET	INSIDE CAULK OUTLET	SPEEDI- SET* OUTLET	A - OUTLET SIZE						
				COVER MATERIAL	02"	03"	04"	±05"	**06"	**08"
Gasket Seal Plug	4020S	4025C	4031L	†Nickel Bronze (-NB)	625.00	660.00	880.00	1,436.00	-	-
				Polished Bronze (-PB)	566.00	601.00	821.00	1,377.00	-	-
Taper Thread Plug	❖4024S	4029C	4034L	†Nickel Bronze (-NB)	625.00	660.00	880.00	1,436.00	-	-
				Polished Bronze (-PB)	566.00	601.00	821.00	1,377.00	-	-
WITH BRZ PLUG	SPIGOT• OUTLET	INSIDE CAULK OUTLET	SPEEDI- SET* OUTLET	A - OUTLET SIZE						
				COVER MATERIAL	02"	03"	04"	±05"	**06"	**08"
Gasket Seal Plug	4021S	4026C	4032L	†Nickel Bronze (-NB)	817.00	850.00	1,070.00	1,627.00	-	-
				Polished Bronze (-PB)	758.00	791.00	1,011.00	1,568.00	-	-
Taper Thread Plug	■4023S**		4033L**	†Nickel Bronze (-NB)	817.00	850.00	1,070.00	1,627.00	2,049.00	2,255.00
				Polished Bronze (-PB)	758.00	791.00	1,011.00	1,568.00	1,990.00	2,196.00
Taper Thread Plug		4028C		†Nickel Bronze (-NB)	817.00	850.00	1,070.00	-	-	-
				Polished Bronze (-PB)	758.00	791.00	1,011.00	-	-	-
APPROX WT. LBS.					14	15	19	25	28	32

REGULARLY FURNISHED: Duco Cast Iron Cleanout with Round Adjustable Scoriated Secured Nickel Bronze Top. Closure Plug Type as Indicated by Figure Number Selected.

- ** 6 & 8" Available w/Bronze Taper Plug Only.
- 5, 6 & 8" Not Available w/Inside Caulk Outlet.
- ❖ 5" Available w/Spigot Outlet Only.
- Same as 4024 W/Taper Thread Bronze Plug
- ❖ Same as 4023 W/Taper Thread ABS Plug
- * Speedi-Set Outlet Available with 2, 3, 4, 6 or 8" Connection Only. Specify Service Weight (LXH) or PVC (LPVC). LPVC applies to 6" pipe size only.
- Spigot Ferrules are Suitable for use with No-Hub Connections.

CLEANOUTS