

ENGINEERING COMMUNIQUÉ

JAY R. SMITH MFG. CO.® ♦ September, 2012 ♦ VOLUME 2- ISSUE 8



From:

THE SMITH ENGINEERING GROUP

PRODUCT ALERT: SQ-2-4614

This is an example where an engineer or architect details a special application. We review the detail and provide a product that will fit the application. This drain required a lower and upper body along with a perforated bronze standpipe and bronze dome.

This SQ drain was installed in a planter box. (The actual detail and submittal drawing are attached). The structural concrete slab has a fluid applied (liquid) waterproofing with a sheet of drainage composite above and a basic 2005 body installed in the structural slab. The planter box concrete slab is sloped towards the upper drain which requires a clamping collar for securing the neoprene waterproofing. A sheet of drainage composite is installed on top of the neoprene waterproofing. The perforated bronze standpipe is surrounded by gravel fill and the height corresponds with the depth of the planter box. The perforated standpipe can be wrapped in stainless steel mesh in the event gravel fill is not used to prevent the holes from becoming clogged with soil and other debris.

MEMBER OF



MORRIS GROUP
INTERNATIONAL



QUAD SEAL (Fig. No. 2692):

As earlier published, Smith has successfully obtained the IAPMO and ASSE Listings for the Quad Close Seal Trap Device. We are still receiving calls stating that Pro-Set's Trap Guard states they are ASSE certified. This is not correct as there are only two manufacturers listed with ASSE. Please see the attached Product Listing for the ASSE Standard 1072 from ASSE's website. Pro-Set states under approvals; ASSE - Report. However, there are items in their report listed as 'Not-Evaluated' which means this is not a complete report. The Quad Seal was tested to and passed all parts of the ASSE 1072 Standard.

The 2692 Quad Seal submittal is attached.

Another item to be aware of is the use of certain words/terms. IAPMO and ASSE list products as having been tested by a certified third party testing laboratory with successful passing all related requirements whether it is performance test and/or material related. Manufacturers should not use words such as approved, endorsed and so forth when it comes to groups such as IAPMO and ASSE. They do not approve or endorse products but rather list products that meet certain criteria such as a product standard.

DRAWING NUMBER
 SIZE
 SCALE
 DATE
 APPROVED BY
 CHECKED BY
 DRAWN BY
 FIGURE NUMBER

DRG. NO.
 A
 NONE
 07-13-2012
 CR
 CL
 CL
 SQ-2-4614

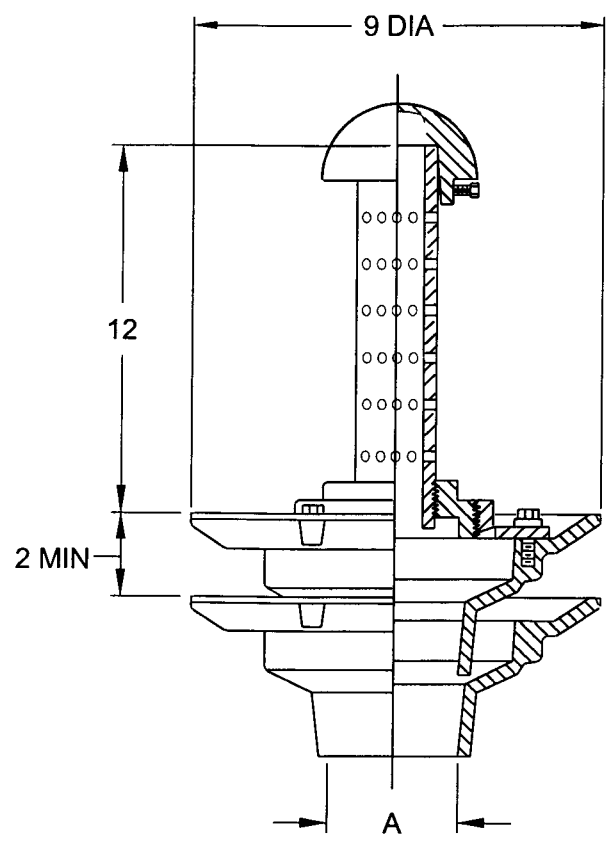
REV
 CUSTOMER DRIVEN
 WE CAN ASSUME NO RESPONSIBILITY FOR USE OF SUPERSEDED OR VOID DATA
 DIMENSIONS ARE SUBJECT TO MANUFACTURERS TOLERANCE AND CHANGE WITHOUT NOTICE

SMITH
JAY R. SMITH MFG. CO.
 DIVISION OF SMITH INDUSTRIES, INC.
 POST OFFICE BOX 3237
 MONTGOMERY, ALABAMA 36109-0237 (USA)
 TEL: 334-277-8520 TELEX: 782306 FAX: 334-272-7396



LOCATION

SPECIAL PLANTER DRAIN



A (PIPE SIZE) = 02, 03 or 04

Fig. SQ-2-4614Y . . . NO-HUB OUTLET

REGULARLY FURNISHED:

Duco Coated Cast Iron Lower Body and Duco Coated Cast Iron Upper Body with Flashng Clamp with Perforated Bronze Standpipe and Polished Bronze Dome.

VARIATIONS:

Longer Standpipe -LS

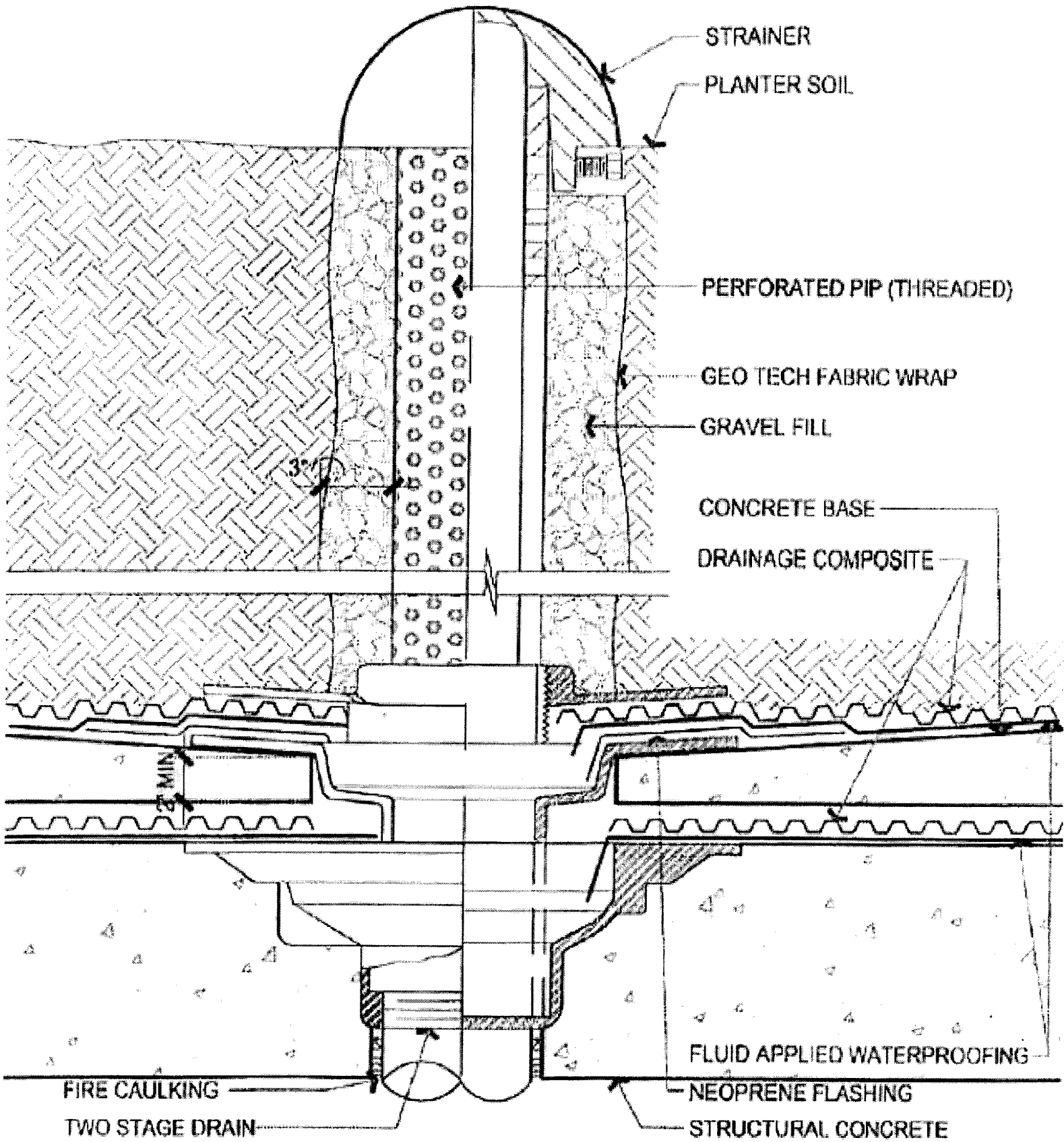
OPTIONAL MATERIALS:

Galvanize Coated Cast Iron -G

REV.	DATE	DESCRIPTION	BY	CKD. BY

WEIGHT POUNDS	VOLUME CUBIC FEET

FIGURE NUMBER
SQ-2-4614



PLANTER DRAIN

SCALE: 3"=1'-0"

z

[Home](#) | [About](#) | [Membership](#) | [Listings](#) | [Standards](#) | [Certifications](#) | [Magazine](#) | [Contact](#) | [Links](#) | [Download](#)

PRODUCT LISTINGS

ENTER ALL OR PART OF A STANDARD, MANUFACTURER, OR MODEL:

1072

Standard Listee/Company Model

SEARCH RESULTS:

1072-2007: Barrier Type Floor Drain Trap Seal Protection Devices							
Listee / Company	Model	Size	Orientation	Type	Description	Issue Date	Amended Date(s)
Jay R. Smith Mfg. Co.	2692-02	2"				6/20/2012	
Jay R. Smith Mfg. Co.	2692-03	3"				6/20/2012	6/27/2012
Jay R. Smith Mfg. Co.	2692-04	4"				6/20/2012	6/27/2012
Sure Seal, LLC	SS2009	2"				4/12/2011	
Sure Seal, LLC	SS3000	3"				4/12/2011	
Sure Seal, LLC	SS3509	3 1/2"				4/12/2011	
Sure Seal, LLC	SS4009	4"				4/12/2011	

[Download the Seal Authorizations Booklet](#)



ANSI Accredited Program
 PRODUCT CERTIFICATION
 #0432

| [Home](#) | [About](#) | [Membership](#) | [Listings](#) | [Standards](#) | [Certifications](#) | [Magazine](#) | [Contact](#) | [Links](#) | [Download](#)

[Sign up for our Email list](#) • Privacy by SafeSubscribeSM

Last Updated: January 7, 2011 10:26 AM • American Society of Sanitary Engineering © 2009 • [Copyright](#)

D



JAY R. SMITH MFG. CO.®
 MEMBER OF MORRIS GROUP INTERNATIONAL
 POST OFFICE BOX 3237
 MONTGOMERY, ALABAMA 36109-0237 (USA)
 TEL: 334-277-8520 FAX: 334-272-7396 www.jrsmith.com



MEMBER OF:

LOCATION

QUAD CLOSE TRAP SEAL

FUNCTION: The Quad Close Trap Seal forms a barrier to minimize the evaporation of the trap seal of a floor drain. The Quad Close Trap Seal will open to allow drainage and close when there is no flow. It is for use in floor drain outlets or the adjustable strainer throats.

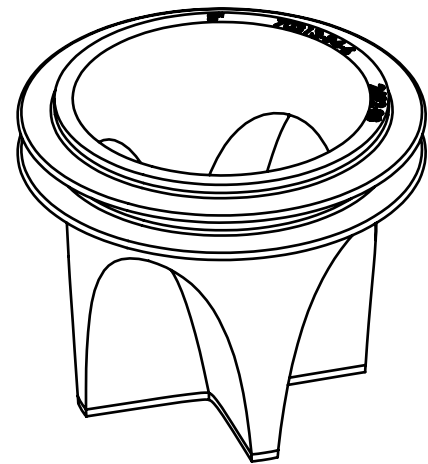
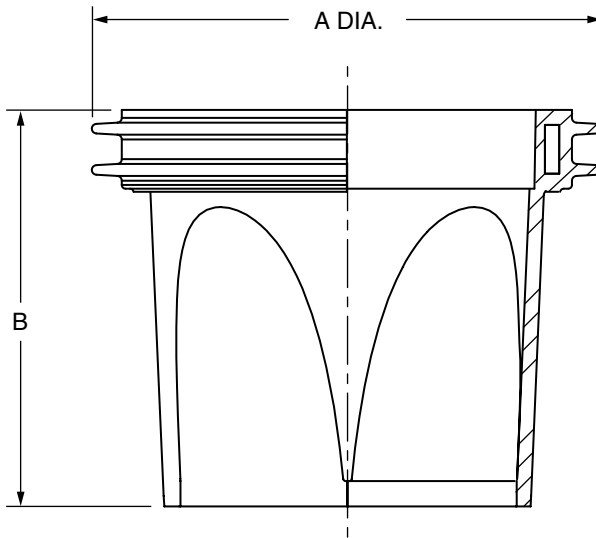


Fig. No.	A (Pipe Size)	B
2692-02 ▲	02(50)	2 3/4(70)
2692-03 ▲	03(75)	2 3/4(70)
*2692-0350	0350(89)	2 3/4(70)
2692-04 ▲	04(100)	2 3/4(70)

- ▲ IAPMO Listed - File No. 7479
- ▲ ASSE Listed - Record No. 1435 - AF - GW
Floor Designation/rated for all floor types.

INSTALLATION: The 02(50), 03(75) & 04(100) Quad Close Trap Seal sizes install in the drain outlet. To install, simply insert the Quad Close Trap Seal in the drain outlet or throat of strainer until the top of it is flush with top of drain outlet or strainer throat. See reverse side of submittal for illustration.

*The 0350(89) Quad Close Trap Seal size installs in the throat of Smith Adjustable Strainers. See reverse side of submittal for illustration.

NOTE: Dimensions shown in parentheses are in millimeters.

Patent Pending

DRAWING NUMBER
s2692

SIZE
A

SCALE:
NONE

DATE:
5-20-08

APPROVED BY:
JM

CHECKED BY:
CL

DRAWN BY:
RN

WE CAN ASSUME NO RESPONSIBILITY FOR USE OF SUPERSEDED OR VOID DATA

DIMENSIONS ARE SUBJECT TO MANUFACTURERS TOLERANCE AND CHANGE WITHOUT NOTICE

2692

FIGURE NUMBER

D	6-27-12	Added ASSE Listing	TBW	JM
C	4-24-12	Rev. Title, Function, Installation	TBW	CL
B	4-23-12	Rev. Reg. Furn., Added IAPMO Listing	TBW	CL
A	2-9-10	Revised Drawing	RN	BW
REV.	DATE	DESCRIPTION	BY	CKD. BY

WEIGHT POUNDS	VOLUME CUBIC FEET	FIGURE NUMBER 2692
------------------	----------------------	------------------------------

C



JAY R. SMITH MFG. CO.®
 MEMBER OF MORRIS GROUP INTERNATIONAL
 POST OFFICE BOX 3237
 MONTGOMERY, ALABAMA 36109-0237 (USA)
 TEL: 334-277-8520 FAX: 334-272-7396 www.jrsmith.com



MEMBER OF:

LOCATION

DRAWING NUMBER
s2692 BS

SIZE
A

SCALE:
NONE

DATE:
5-20-08

APPROVED BY:
JM

CHECKED BY:
CL

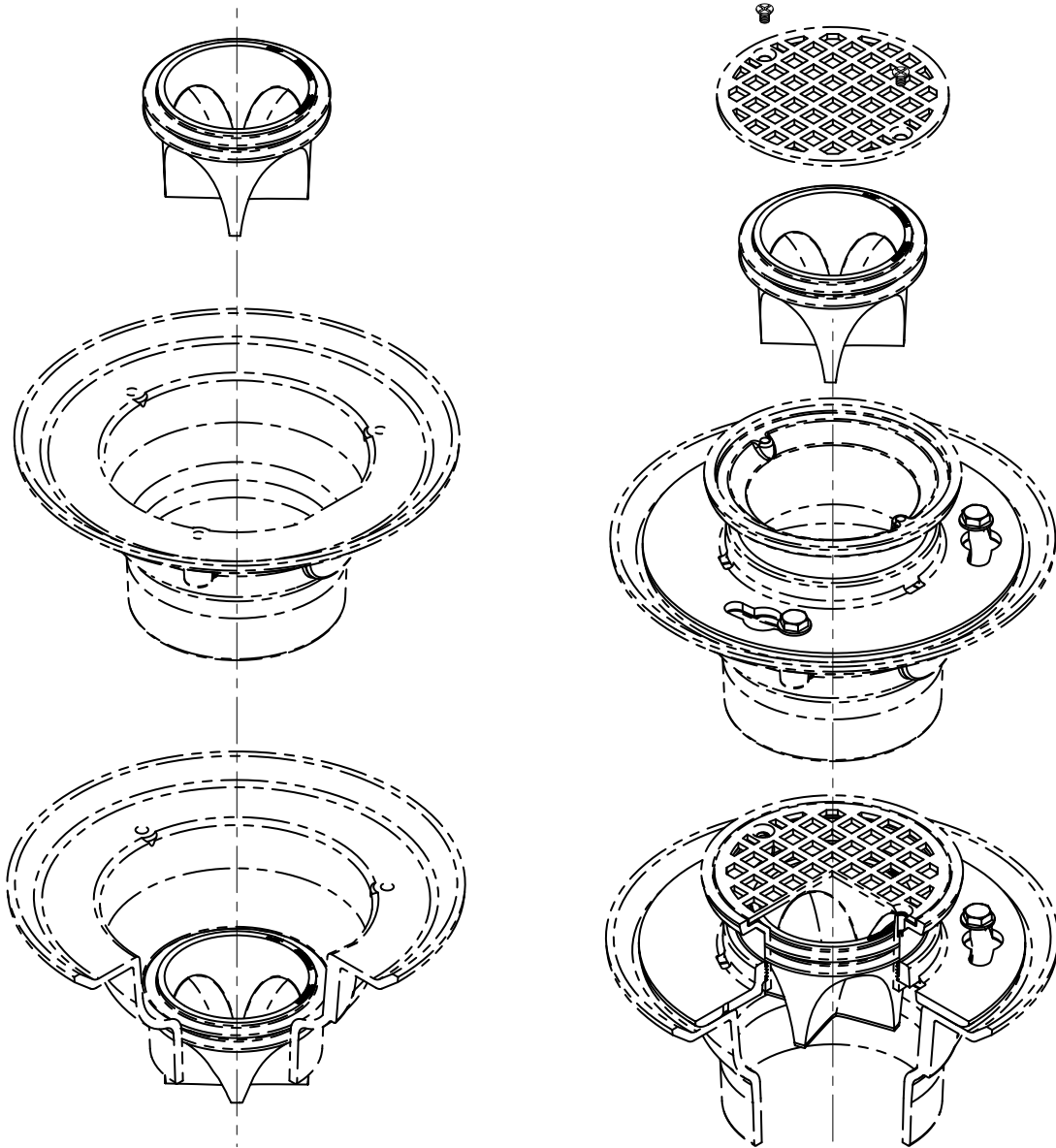
DRAWN BY:
RN

WE CAN ASSUME NO RESPONSIBILITY FOR USE OF SUPERSEDED OR VOID DATA

DIMENSIONS ARE SUBJECT TO MANUFACTURERS TOLERANCE AND CHANGE WITHOUT NOTICE

QUAD CLOSE TRAP SEAL

Installation Illustrations



Installation in Drain
 Body Outlet
 02(50), 03(75) & 04(100) Sizes

Installation in Strainer
 Throat
 0350(89) Size

INSTALLATION: The 02(50), 03(75) & 04(100) Quad Close Trap Seal sizes install in the drain outlet. The 0350(89) Quad Close Trap Seal size installs in the throat of adjustable strainers. To install simply insert the Quad Close Trap Seal in the drain outlet or throat of strainer until the top of it is flush with top of drain outlet or strainer throat.

2692 BS

FIGURE NUMBER

C
B
A

4-24-12
4-2-12
2-10-10

Rev. Title, Installation
Added Note
Revised Drawing

TBW
TBW
RN

CL
DP
BW

WEIGHT
POUNDS

VOLUME
CUBIC FEET

FIGURE NUMBER

2692 BS

REV.

DATE

DESCRIPTION

BY

CKD. BY