

D

SMITH® JAY R. SMITH MFG. CO.®
 MEMBER OF MORRIS GROUP INTERNATIONAL
 POST OFFICE BOX 3237
 MONTGOMERY, ALABAMA 36109-0237 (USA)
 TEL: 334-277-8520 FAX: 334-272-7396 www.jrsmith.com

ASPE **PD** **ASSE**
 MEMBER OF:

LOCATION

DRAWING NUMBER
SQ-2-1667

SIZE
A

SCALE:
NONE

DATE:
7-29-94

APPROVED BY:
CS

CHECKED BY:
JCS

DRAWN BY:
EMB

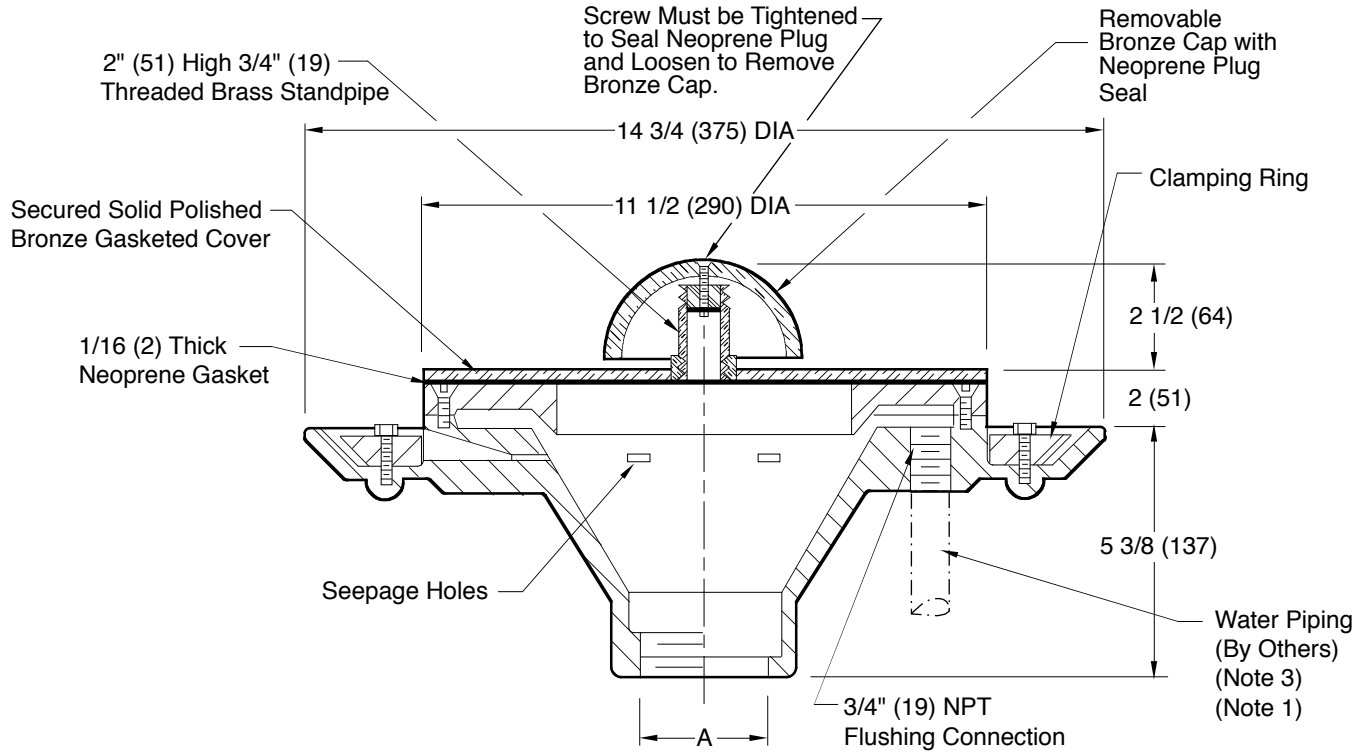
SQ-2-1667

FIGURE NUMBER

WE CAN ASSUME NO RESPONSIBILITY FOR USE OF SUPERSEDED OR VOID DATA

DIMENSIONS ARE SUBJECT TO MANUFACTURERS TOLERANCE AND CHANGE WITHOUT NOTICE

INSTITUTIONAL TYPE FLUSHING RIM FLOOR DRAIN

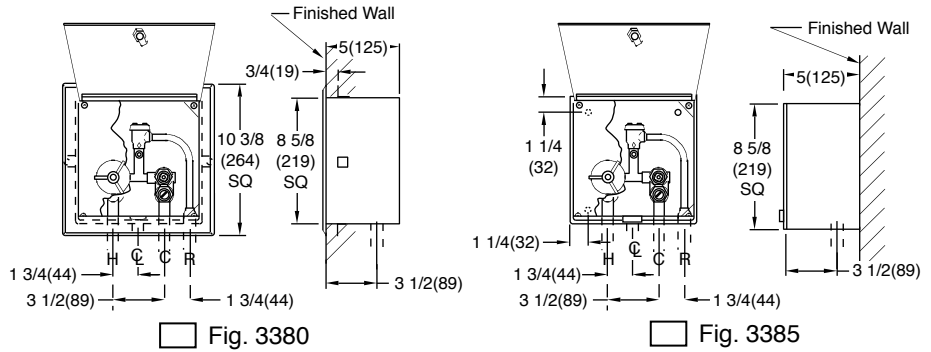


A(Size Pipe) = 02 (50), 03 (75) or 04 (100) (Note 2)

NOTE: Dimensions shown in parentheses are in millimeters.

SQ-2-1667C INSIDE CAULK OUTLET
 SQ-2-1667T (THREADED WHEN SPECIFIED)

- NOTE:**
- ① The Potable Water Supply to Which a Flushing Type of Drain is Connected Must be Protected by a Suitable Vacuum Breaker.
 - ② Deep Seal P-Trap (By Others) Recommended for use with this Drain.
 - ③ 3/4" (19) NPT Tapping Provided for Connection to an Appropriate Flush Valve (By Others)



REGULARLY FURNISHED:
 Duco Cast Iron Body with Flashing Flange and Clamping Ring with Acid Resistant Coated Interior, Polished Bronze Secured Solid Cover, Gasketed Cover with 2" (51) High 3/4" (19) Threaded Brass Standpipe with Bronze Cap and Neoprene Plug for Standpipe.

- OPTIONAL MATERIALS:**
- Nickel Bronze Top -NB
 - Fig. 3380 Recessed Water Supply Control Box.
 - Fig. 3385 Wall Mounted Water Supply Control Box.

D	9-11-02	Added 3380 & 3385	RN	JMc	WEIGHT POUNDS	VOLUME CUBIC FEET	FIGURE NUMBER SQ-2-1667
C	6-19-02	Added and Revised Notes	RN	BW			
B	6-4-02	Revised Millimeters	RN	BW			
A	6-9-95	Chg'd Dwg & Added Millimeters	EMB	BS			
REV.	DATE	DESCRIPTION	BY	CKD. BY			