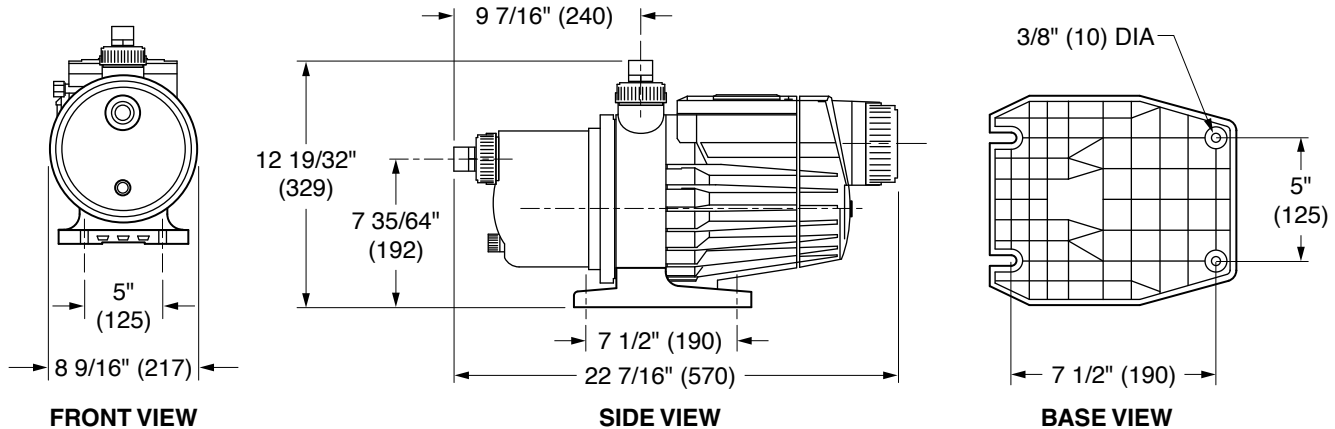


# SUCTION PUMP



### Suitable Liquids

Potable water, rain water or other clean, thin, non-aggressive liquids not containing solid particles or fibers.

### Operating Conditions

Max system pressure: 110 psi (7.5 bar)  
 Max inlet pressure: 45 psi (3 bar)  
 Max suction lift: 26 ft. (8 m)  
 Liquid temperature: 32° F to + 95° F  
 Ambient temperature: 32° F to + 115° F

### Technical Data

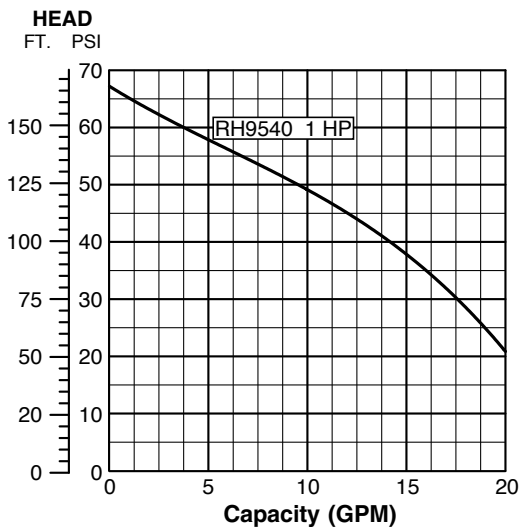
Voltage: Varies with model  
 Enclosure class: IP54  
 Insulation class: B  
 Noise level: ≤ 55 db (A)



### Pump Data and Weights

	Pump Type	HP	Input Voltage	Inlet NPT	Discharge NPT	Max. Amps	Ship Weight
<input type="checkbox"/>	RH9540-1BP115	1	110 - 120	1"	1"	9.2	30 lbs.
<input type="checkbox"/>	RH9540-1BP220	1	220 - 240	1"	1"	4.5	30 lbs.

Component	Material
Suction Port	POM + 25% Glass Fiber
Discharge Port	POM + 25% Glass Fiber
Pressure Tank	NR-Rubber (diaphragm)
Impeller	PPO + 20% Glass Fiber
Chamber	PPO + 20% Glass Fiber
Base Plate	POM + 25% Glass Fiber
Clamp	Stainless Steel, DIN W. - Nr 1.4301, AISI 304
Motor Cooling Sleeve	Stainless Steel, DIN W. - Nr 1.4301, AISI 304
Shaft Seal	Carbon/Ceramics/NBR Rubber
Non-Return Valve	POM + 25% Glass Fiber
Shaft	Stainless Steel, DIN W.-Nr. 1.4005, AISI 416
Self Priming Valve	PP + 30% Glass Fiber
Self Priming Part	PPE/PS + 20% Glass Fiber
Drain Plug	POM + 25% Glass Fiber
Priming Plug	POM + 25% Glass Fiber
Pump Sleeve	Stainless Steel, W.-Nr. 14301, AISI 304
O-rings	NBR-Rubber



NOTE: Dimensions shown in Parentheses are in millimeters.

DRAWING NUMBER  
SRH9540-1BP115

SIZE  
A

SCALE:  
NONE

DATE:  
04/08/10

APPROVED BY:  
TK

CHECKED BY:  
TK

DRAWN BY:  
JJ

FIGURE NUMBER  
RH9540-1BP115  
RH9540-1BP220

REV.	DATE	DESCRIPTION	BY	CKD. BY

WEIGHT  
POUNDS

VOLUME  
CUBIC FEET

FIGURE NUMBER

**RH9540-1BP115**  
**RH9540-1BP220**