

SMOOTHING INLET

FUNCTION: The Smoothing Inlet is an all stainless steel device that fits on the 8" inlet pipe in the storage tank. It is used to prevent the agitation of sediment at the rainwater inlet into the storage tank. The smoothing inlet also helps aerate the water as it enters the tank.

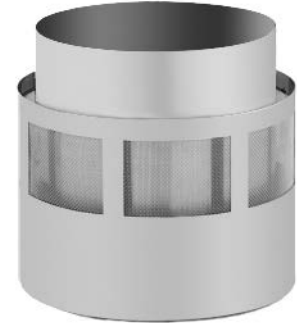
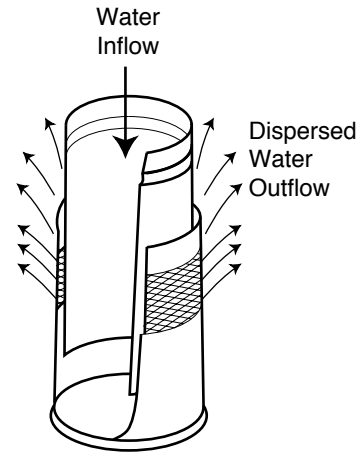
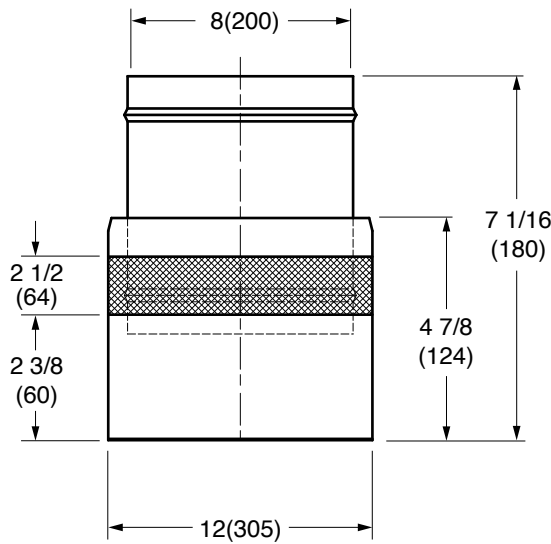


Fig. RH9530SI-08 Smoothing Inlet



WE CAN ASSUME NO RESPONSIBILITY FOR USE OF SUPERSEDED OR VOID DATA

DIMENSIONS ARE SUBJECT TO MANUFACTURERS TOLERANCE AND CHANGE WITHOUT NOTICE

DRAWING NUMBER
SRH9530SI-08

SIZE
A

SCALE:
NONE

DATE:
3-5-2010

APPROVED BY:
TWK

CHECKED BY:
TWK

DRAWN BY:
RN

RH9530SI-08

FIGURE NUMBER



A product of WISY AG in cooperation with RMS.

NOTE: Dimensions shown in parentheses are in millimeters.

REV.	DATE	DESCRIPTION	BY	CKD. BY	WEIGHT POUNDS	VOLUME CUBIC FEET	FIGURE NUMBER
							RH9530SI-08