

H

DRAWING NUMBER  
SDX3027

SIZE  
A

SCALE:  
NONE

DATE:  
11-1-90

APPROVED BY:  
CS

CHECKED BY:  
JCS

DRAWN BY:  
EMB

**DX3027**

FIGURE NUMBER

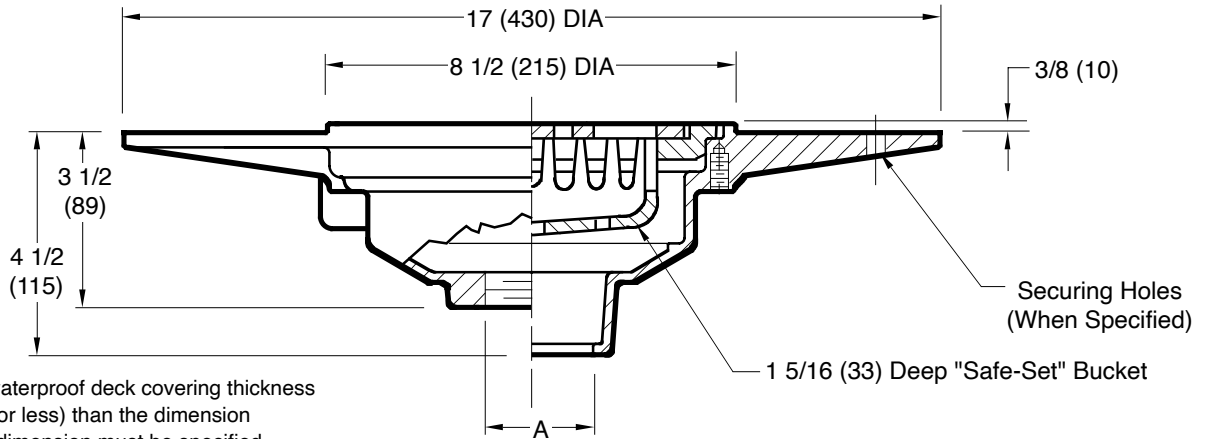
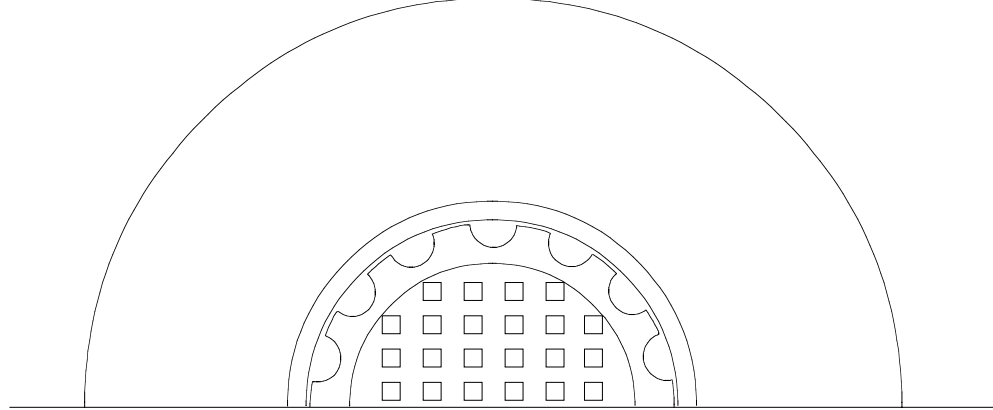
WE CAN ASSUME NO RESPONSIBILITY FOR USE OF SUPERSEDED OR VOID DATA

DIMENSIONS ARE SUBJECT TO MANUFACTURERS TOLERANCE AND CHANGE WITHOUT NOTICE

# SANI-CEPTOR® ACID RESISTANT COATED FLOOR & INDIRECT WASTE DRAIN

## ROUND NICKEL BRONZE TOP WIDE FLANGE SANITARY FLOOR DRAIN

Free Area  
14.1 SQ IN  
(91) SQ CM



**NOTE:** If waterproof deck covering thickness is greater (or less) than the dimension shown, lip dimension must be specified. Roughing dimensions of the body must be adjusted accordingly. Drain body should be set low enough to permit "dimpling" of area surrounding drain.

A (Pipe Size) = 02(50), 03(80) or 04(100)

Fig. DX3027C . . . CAULK OUTLET  
 Fig. DX3027T . . . THREADED OUTLET

**REGULARLY FURNISHED:**  
 Cast Iron Body with Acid Resistant Coated Interior and Nickel Bronze Top with Sediment Bucket and ADA Grate.

**VARIATIONS:**

- Less Bucket and Grate -LBG
- Securing Holes -SH
- Vandal Proof Grate -U
- NO-HUB Adaptor (Specify Fig. 2646Y)

**OPTIONAL MATERIALS:**  
 Polished Bronze Top -PB

**NOTE:** Dimensions shown in parentheses are in millimeters.

REV.	DATE	DESCRIPTION	BY	CKD. BY	WEIGHT POUNDS	VOLUME CUBIC FEET	FIGURE NUMBER
	H G F E	7-27-23 1-20-23 9-4-96 7-12-94	Removed Function Updated Regularly Furnished Added Millimeters Revised	HS KK EMB EMB	CL CL BS BS		<b>DX3027</b>