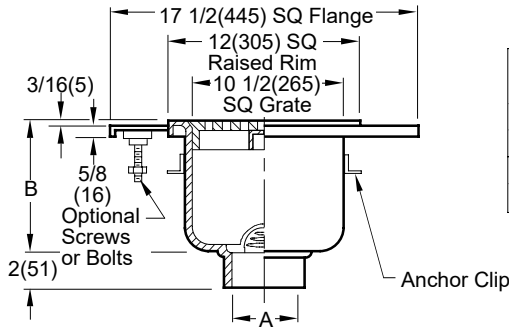


**SANI-CEPTOR® STAINLESS STEEL FLOOR, AREA & INDIRECT WASTE DRAINS WITH 12"(304) STAINLESS STEEL SQUARE TOPS WITH WIDE FLANGES**

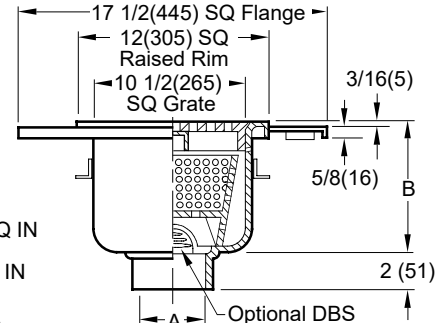


**WITH DOME BOTTOM STRAINER**

**FIGURE NUMBERS**

W/Dome Strainer	"B" DIM	Approx Wt. Lbs.	W/Sediment Bucket
DX3001	4(100)	29	DX3006
DX3002	6(150)	32	DX3007
DX3003	8(205)	35	DX3008
DX3004	10(255)	38	DX3009

Grates w/1/2"(13) holes - Free Area 34 SQ IN (219) SQ CM  
 Optional Grates w/1/4"(6) holes - 18 SQ IN (116) SQ CM  
 A (Pipe Size) = 02(50), 03(75) or 04(100)  
 Y NO-HUB Outlet



**WITH SEDIMENT BUCKET**

**FEATURES, OPTIONS AND ORDERING INFORMATION**

**REGULARLY FURNISHED:** 14 Gauge Type 304 SS Receptor Body with Reinforced Stainless Steel Square Flange set 3/16"(5) Below Rim and Cast Type 316 SS Ribbed Non-Tilt Loose Set ADA Grate with 1/2"(13) Square Holes. Flange has Glass Blast Finish for Bond Coat Adhesion and Countersunk Anchoring Holes. Body is Provided with Anchor Clips. Perforated SS Dome Bottom Strainer or Sediment Bucket is Indicated by Figure Number. Body Rim and Grate are polished to No. 4 finish.

- VARIATIONS:**
- BW Butt Weld Outlet (Specify Schedule -S05, -S10 or -S40)
  - T Male Threaded Connection
  - Trap Primer Connection -P050 1/2"(13) & -P075 3/4"(19)
  - With Flange Top Set 3/8"(10) or 1/2"(13) Below Top of Rim and Grate -FT
  - With Screed Guides -SG
  - With 1/4(6) x 2 1/2(64) Stainless Steel F.H. Anchor Bolts each with Two Washers and Two Nuts (set of 8) -AB
  - With 1/4(6) x 2 1/2(64) Stainless Steel F.H. Anchor Screws (set of 8) -AS

- Bucket Models Only:**
- With SS Dome Bottom Strainer -DBS
  - With SS Solid Bottom Ported Bucket -SBP
  - With Mesh Lined Bucket -BS

- OPTIONAL MATERIALS:**
- Drains: Fabricated from Type 316 Stainless Steel
  - Funnel: Type 304 Stainless Steel
  - Funnel: Type 316 Stainless Steel

**NOTE:** When determining location of this drain, consideration must be given to traffic loading factors. When used in areas where the drain is subjected to any traffic loading heavier than pedestrian foot traffic, the location, load and description of load shall be submitted to Jay R. Smith Sales Engineering Department for evaluation and selection of proper grate.

**OPTIONAL TOP GRATES AND COVERS**

SUFFIX	DESCRIPTION
<input type="checkbox"/> -10	Less SS Grate
<input type="checkbox"/> -12	With SS 1/2 Grate
<input type="checkbox"/> -13	With SS 3/4 Grate
<input type="checkbox"/> -14	With SS 2 1/2(64) SQ Center Hole Grate
<input type="checkbox"/> -15	With SS Recessed Grate with Handle
<input type="checkbox"/> -21	With SS Grate with 4"(100) DIA NB Funnel
<input type="checkbox"/> -22	With SS Grate with 6"(150) DIA NB Funnel
<input type="checkbox"/> -25	With SS Grate with 8 1/4(210) x 3 1/4(83) x 4 1/2"(115) High Oval NB Funnel
<input type="checkbox"/> -26	With SS Grate with 6(150) x 2 1/2(64) x 1"(25) High Oval NB Funnel
<input type="checkbox"/> -41	With SS Solid Cover
<input type="checkbox"/> -42	With SS 1/2 Solid Cover
<input type="checkbox"/> -43	With SS 3/4 Solid Cover
<input type="checkbox"/> -44	With SS 2 1/2(64) SQ Center Hole Solid Cover

SUFFIX	DESCRIPTION
<input type="checkbox"/> -61	With SS Heel-Proof Ribbed Non-Tilt Loose Set Grate with 1/4"(6) SQ Holes.
<input type="checkbox"/> -63	With SS Medium Duty Heel-Proof Ribbed Non-Tilt Loose Set Grate with 1/4"(6) SQ Holes.
<input type="checkbox"/> -64	With SS Heavy Duty Ribbed Non-Tilt Loose Set ADA Grate with 1/2"(13) SQ Holes
<input type="checkbox"/> -66	With SS Extra Heavy Duty Ribbed Non-Tilt Loose Set ADA Grate with 1/2"(13) SQ Holes
<input type="checkbox"/> -68	With SS Extra Heavy Duty Ribbed Non-Tilt Loose Set 3/4 Grate with 1/2"(13) SQ Holes.

**NOTE:** Dimensions shown in parentheses are in millimeters.

REV.	DATE	DESCRIPTION	BY	CKD. BY	WEIGHT POUNDS	VOLUME CUBIC FEET	FIGURE NUMBER
	5-24-24	Revised Bucket Models Only	HS	CL			<b>DX3001, DX3004 DX3006, DX3009</b>
	7-27-23	Removed Function	HS	CL			
	1-20-23	Added "ADA"	KK	CL			
	11-4-16	Revised Optional Grates & Covers	TBW	BW			

DRAWING NUMBER: SDX3001  
 SIZE: A  
 SCALE: NONE  
 DATE: 8-19-85  
 APPROVED BY: SJM  
 CHECKED BY: JD  
 DRAWN BY: CM  
 DIMENSIONS ARE SUBJECT TO MANUFACTURERS TOLERANCE AND CHANGE WITHOUT NOTICE  
 WE CAN ASSUME NO RESPONSIBILITY FOR USE OF SUPERSEDED OR VOID DATA