



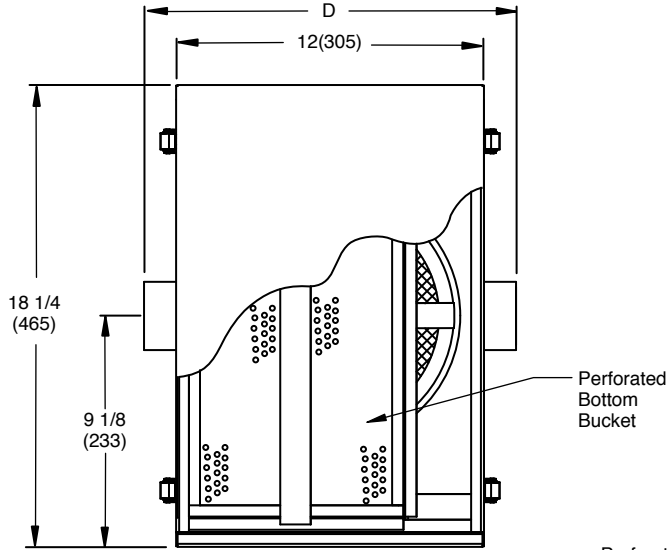
**JAY R. SMITH MFG. CO.**  
 MEMBER OF MORRIS GROUP INTERNATIONAL  
 POST OFFICE BOX 3237  
 MONTGOMERY, ALABAMA 36109-0237 (USA)  
 TEL: 334-277-8520 FAX: 334-272-7396 www.jrsmith.com



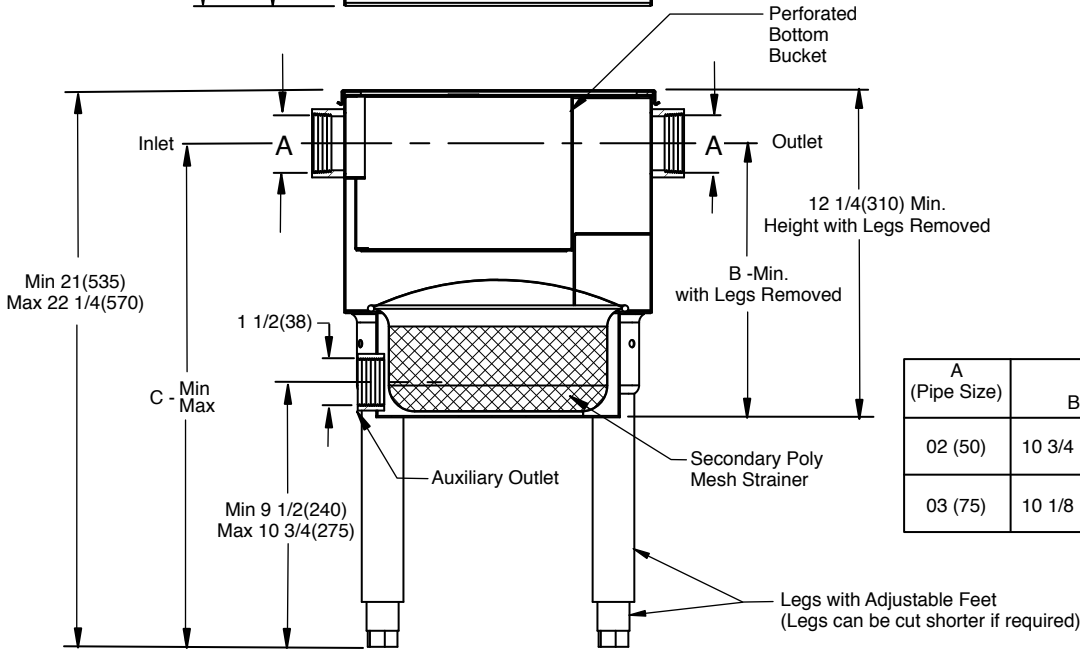
LOCATION

# INLINE SOLIDS INTERCEPTOR

**FUNCTION:** Provides a means of collecting food solids before entering the drain line going to a grease interceptor.



**NOTE:** Allow 8(205) of clearance above interceptor for bucket removal.



A (Pipe Size)	B	C Min Max	D
02 (50)	10 3/4 (275)	18 3/4 (475) 20 1/8 (513)	14 1/2 (370)
03 (75)	10 1/8 (258)	18 1/8 (460) 19 1/2 (495)	15 1/4 (390)

A (PIPE SIZE) = 02(50) or 03(75)  
 FIG. 8980T.....THREADED CONNECTIONS

**NOTE:** Dimensions shown in parentheses are in millimeters.

**REGULARLY FURNISHED:**

Fabricated Type 304 Stainless Steel Body with Adjustable Legs, Perforated Bottom Bucket, Secondary Poly Mesh Strainer and Secured Cover.

**VARIATIONS:**

"Y" No-Hub Connections

See reverse side for illustration of interceptor components.

DRAWING NUMBER  
s8980

SIZE  
A

SCALE:  
NONE

DATE:  
6-1-06

APPROVED BY:  
CEL

CHECKED BY:  
CL

DRAWN BY:  
RN

8980

WE CAN ASSUME NO RESPONSIBILITY FOR USE OF SUPERSEDED OR VOID DATA

DIMENSIONS ARE SUBJECT TO MANUFACTURERS TOLERANCE AND CHANGE WITHOUT NOTICE

FIGURE NUMBER

REV.	DATE	DESCRIPTION	BY	CKD. BY

WEIGHT POUNDS

VOLUME CUBIC FEET

FIGURE NUMBER

**8980**



**WARNING:** Cancer and Reproductive Harm - www.P65Warnings.ca.gov

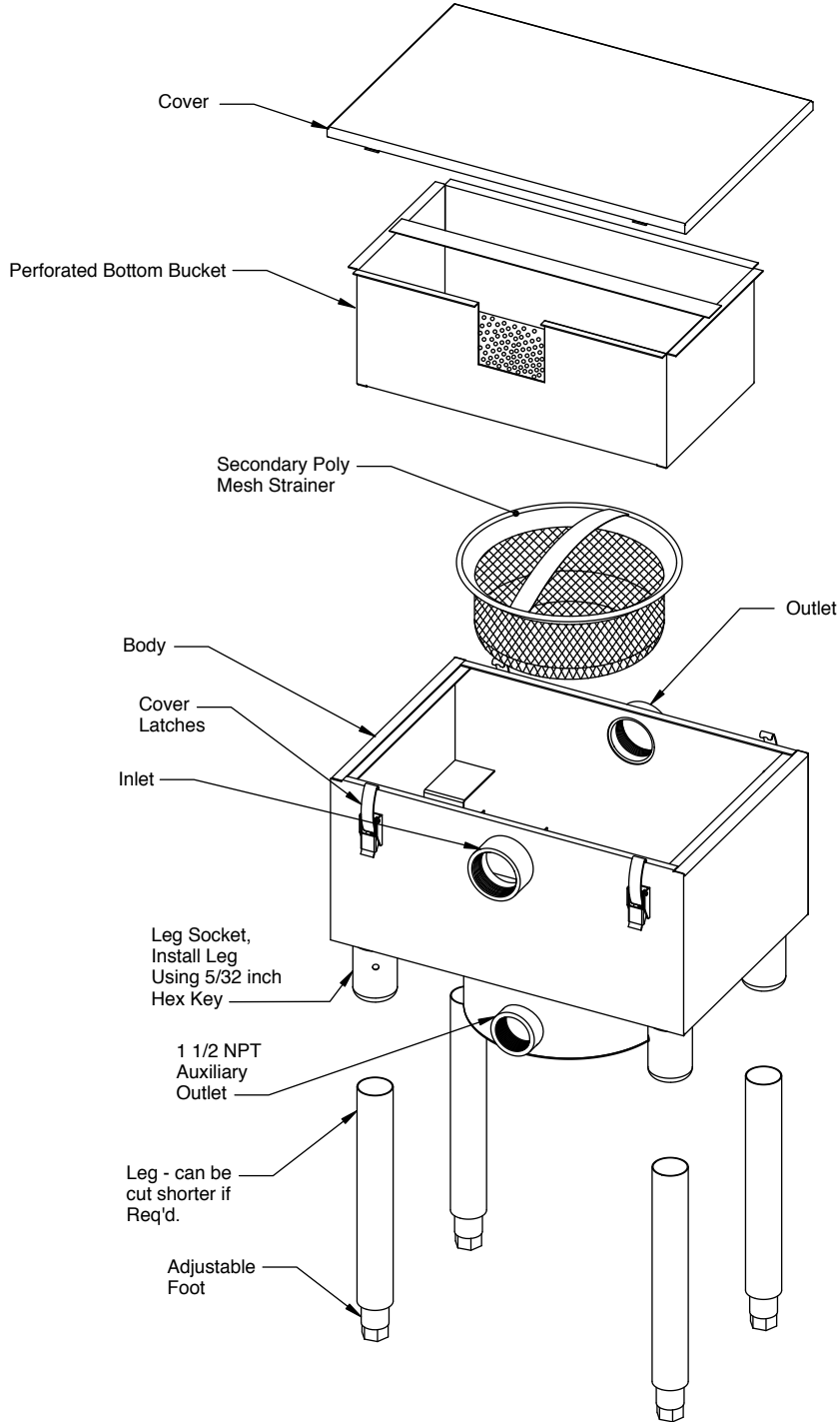


**JAY R. SMITH MFG. CO.**  
 MEMBER OF MORRIS GROUP INTERNATIONAL  
 POST OFFICE BOX 3237  
 MONTGOMERY, ALABAMA 36109-0237 (USA)  
 TEL: 334-277-8520 FAX: 334-272-7396 www.jrsmith.com



LOCATION

# INLINE SOLIDS INTERCEPTOR



DRAWING NUMBER  
s8980BS

SIZE  
A

SCALE:  
NONE

DATE:  
4-11-06

APPROVED BY:  
CEL

CHECKED BY:  
CL

DRAWN BY:  
RN

8980

WE CAN ASSUME NO RESPONSIBILITY FOR USE OF SUPERSEDED OR VOID DATA

DIMENSIONS ARE SUBJECT TO MANUFACTURERS TOLERANCE AND CHANGE WITHOUT NOTICE

FIGURE NUMBER

REV.	DATE	DESCRIPTION	BY	CKD. BY

WEIGHT POUNDS

VOLUME CUBIC FEET

FIGURE NUMBER

**8980**



**WARNING:** Cancer and Reproductive Harm - www.P65Warnings.ca.gov