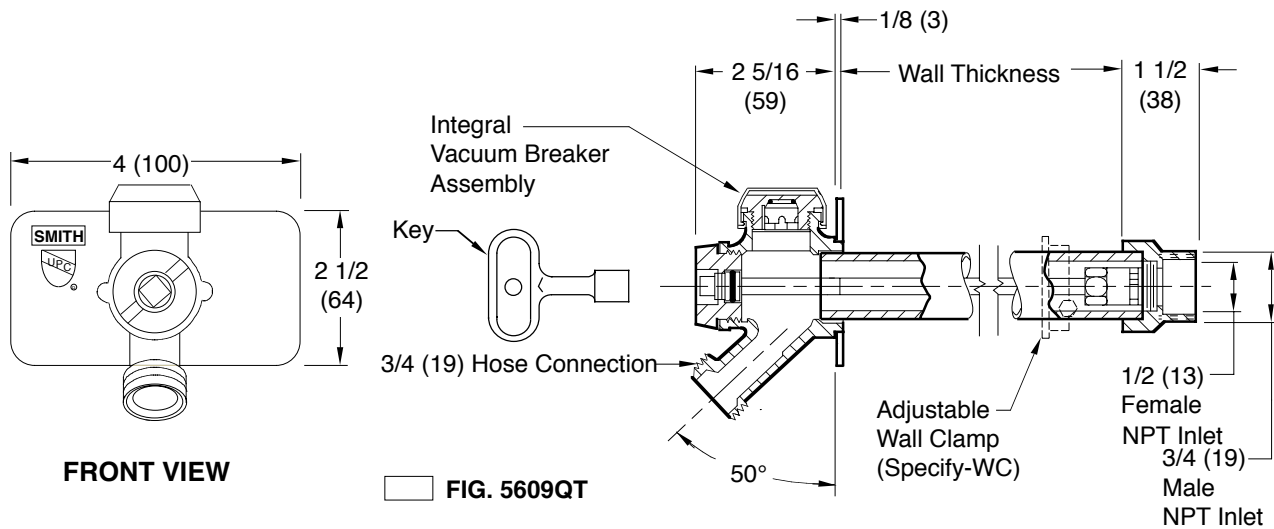


## QUARTERHORSE 1/4 TURN NON FREEZE WALL HYDRANT WITH INTEGRAL VACUUM BREAKER

### EXPOSED HOSE CONNECTION

**FUNCTION:** For installation in interior or exterior building walls where an exposed hose connection is acceptable. Provides positive non-freeze protection and features an integral vacuum breaker. Adaptable to all types of wall construction.

**1/4 Turn of the Key Allows Full Flow to be Obtained**



Installer is responsible for providing a 100% watertight positive seal at the hydrant to wall interface. Seal all the flange with an appropriate sealant recommended by a sealant manufacturer.  
**NOTE:** Jay R. Smith does not warrant the performance or life expectancy of the sealant material.

Seepage of a small amount of water may occur from the vacuum breaker upon the initial opening of this hydrant. This is normal operation.

**REGULARLY FURNISHED:**

Bronze Nickel Plated Quarter Turn Non-Freeze Hydrant with 3/4"(19) Hose Connection, Backer Plate, Integral Vacuum Breaker with Vandal Resistant Cap and "T" Handle Key.

**VARIATIONS:**

- Adjustable Wall Clamp -WC
- 1" (25) Hose Connection -HC1
- 1" (25) Male NPT Inlet Connection -IC1
- Wheel Handle -WH

**OPTIONAL MATERIALS:**

- Chrome Plated -CP
- Chrome Plated Backer Plate -BPCP
- Polished Bronze -PB
- Polished Bronze Backer Plate -BPPB

● Add 3/4" (19) to Overall Length when Specified

- NOTES:**
- Recommended wall opening 2(51) x 2(51). Hydrant shall be in the vertical position only, the hose connection must be on the bottom.
  - When ordering, specify wall thickness in 02"(51) increment as follows: 04(100), 06(150), 08(205), 10(255), 12(305), 14(355), 16(405), 18(455), 20(510), 22(560) or 24"(610). When wall clamp -WC is desired, increase wall thickness dimension by 2"(51).
  - All Jay R. Smith hydrants are manufactured with "NO-LEAD" brazing rings and USDA approved lubricants.
  - The AB1953, California Lead Law, and NSF/ANSI Standard 61-2008 - Drinking Water System Components are not applicable to Jay R. Smith hydrants as they do not convey/dispense water for human consumption through drinking or cooking.
  - Dimensions shown in parentheses are in millimeters.
  - FOR IRRIGATION PURPOSES ONLY.**

**PATENTED**

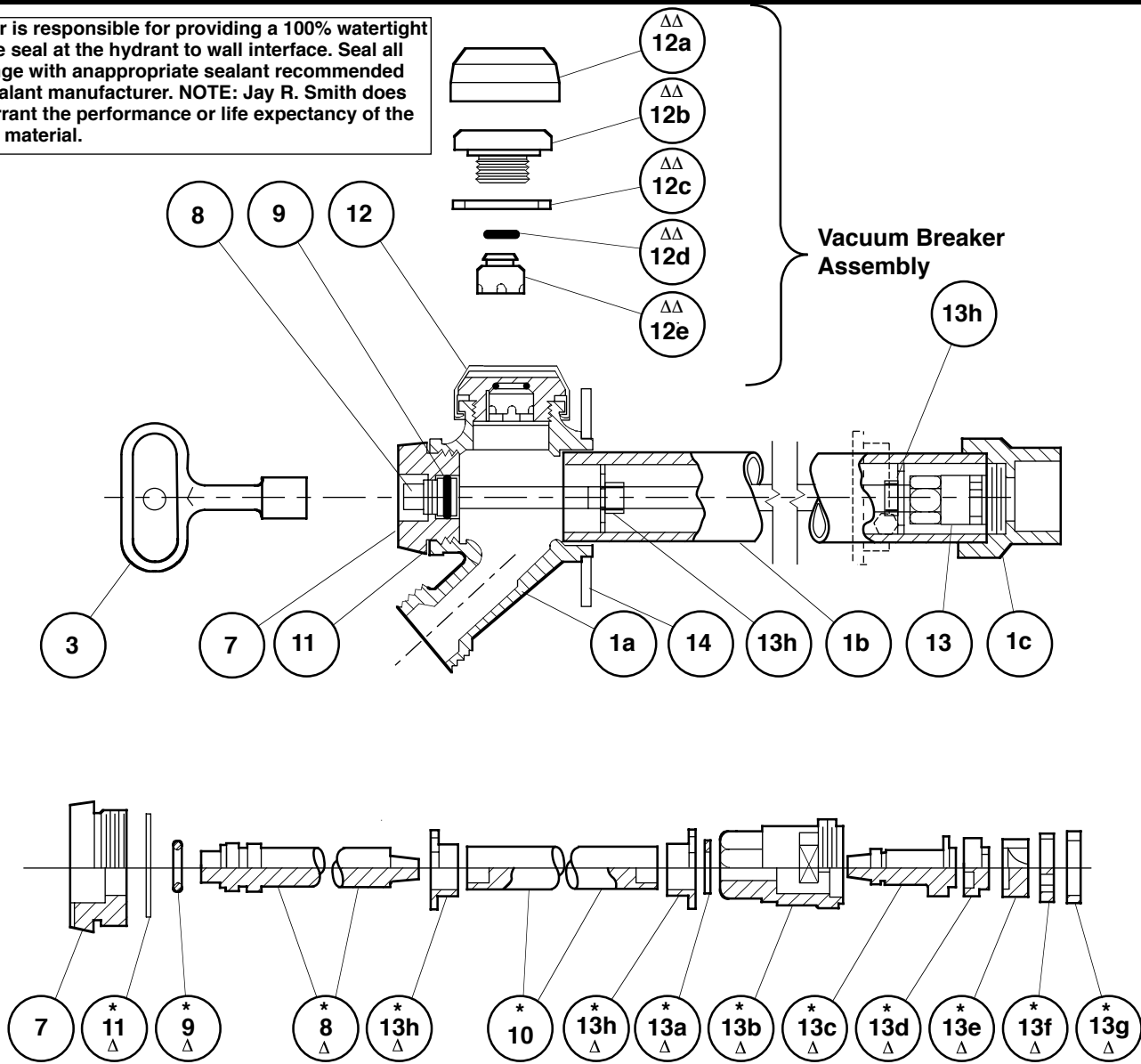
DRAWING NUMBER: 5609QT  
 SIZE: A  
 SCALE: NONE  
 DATE: 1-2-90  
 APPROVED BY: SJM  
 CHECKED BY: SB  
 DRAWN BY: EMB  
 FIGURE NUMBER: 5609QT  
 DIMENSIONS ARE SUBJECT TO MANUFACTURERS TOLERANCE AND CHANGE WITHOUT NOTICE  
 WE CAN ASSUME NO RESPONSIBILITY FOR USE OF SUPERSEDED OR VOID DATA

T S R	1-25-17 2-1-13 6-13-11	Added Note Revised Notes Revised Note	TBW TBW TBW	BW CL CL	WEIGHT POUNDS	VOLUME CUBIC FEET	FIGURE NUMBER  <b>5609QT</b>
REV.	DATE	DESCRIPTION	BY	CKD. BY			

SEE REVERSE SIDE

# HYDRANT PARTS LIST

Installer is responsible for providing a 100% watertight positive seal at the hydrant to wall interface. Seal all the flange with an appropriate sealant recommended by a sealant manufacturer. NOTE: Jay R. Smith does not warrant the performance or life expectancy of the sealant material.



DRAWING NUMBER: S5609QTBS  
 SIZE: A  
 SCALE: NONE  
 DATE: 1-3-90  
 APPROVED BY: TD  
 CHECKED BY: BS  
 DRAWN BY: EMB  
 DIMENSIONS ARE SUBJECT TO MANUFACTURERS TOLERANCE AND CHANGE WITHOUT NOTICE  
 WE CAN ASSUME NO RESPONSIBILITY FOR USE OF SUPERSEDED OR VOID DATA

Δ These Replacement Parts Available in HPRK-7  
 ΔΔ These Replacement Parts Available in HPRK-7VB  
 \*These Parts Accessible from Face of Hydrant by Removing Face Nut.

HYDRANT PARTS LIST					
NO.	DESCRIPTION	NO.	DESCRIPTION	NO.	DESCRIPTION
1	Head/Casing Assembly	10	Operator Rod	13a	Retaining Ring
1a	Head	11	Face Nut Washer	13b	Valve Body
1b	Casing	12	Vacuum Breaker Assembly	13c	Valve Actuator
1c	Valve Housing	12a	VB Cap	13d	Nylon Thrust Washer
3	Key	12b	VB Body	13e	Rotating Ceramic Disc
7	Face Nut	12c	VB Washer	13f	Fixed Ceramic Disc
8	Actuator Shaft	12d	VB "O" Ring	13g	Silicon Rubber Seal
9	Actuator "O" Ring	12e	VB Piston	13h	Retainer Guide (2)
		13	Valve Body Assembly	14	Backer Plate w/Screws

J	1-25-17	Added Note	TBW	BW	WEIGHT POUNDS	VOLUME CUBIC FEET	FIGURE NUMBER <b>5609QT</b>
H	9-22-94	Added HPRK-7VB Note	EMB	CL			
G	9-21-93	Chg'd note	EMB	JCS			
REV.	DATE	DESCRIPTION	BY	CKD. BY			