

# EXTERIOR DOOR FOR WALLS AND CEILINGS

DRAWING NUMBER  
**S4779**

SIZE  
**A**

SCALE:  
**NONE**

DATE:  
**3-17-15**

APPROVED BY:  
**SJM**

CHECKED BY:

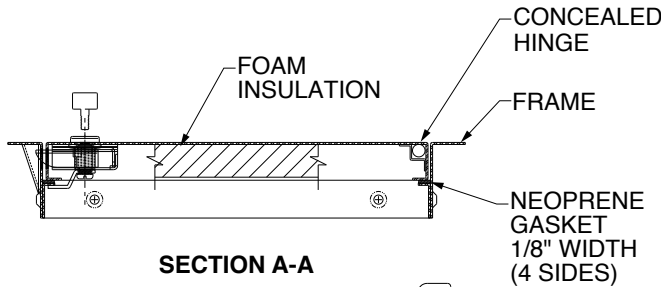
DRAWN BY:  
**TBW**

**4779**

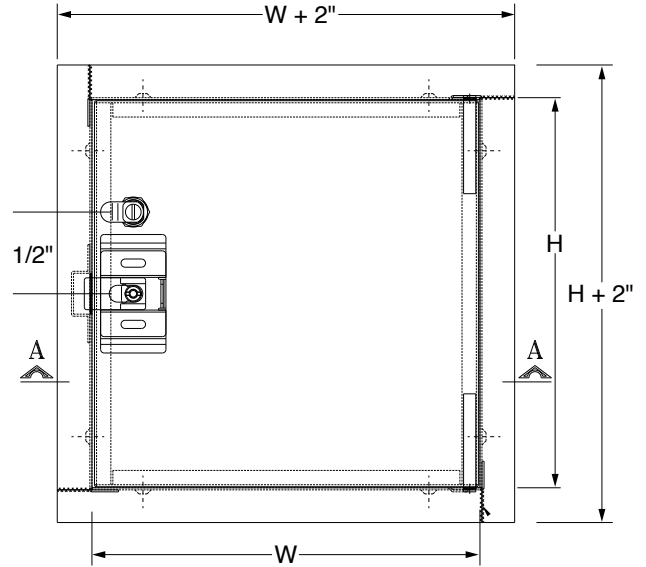
FIGURE NUMBER

WE CAN ASSUME NO RESPONSIBILITY FOR USE OF SUPERSEDED OR VOID DATA

DIMENSIONS ARE SUBJECT TO MANUFACTURERS TOLERANCE AND CHANGE WITHOUT NOTICE



**Key shipped loose**  
Tape to back of door.



**FRONT VIEW**

**REGULARLY FURNISHED:**

Exterior Access Doors are manufactured and engineered to provide access to exterior applications ensuring years of protection against outdoor elements. Our new technology helps to manifest resistance to water and vapor. Our exterior door includes foam insulation and neoprene gaskets on four sides. Door is fabricated from 16 gage, galvanized steel with a prime coat finish and 1" thick rigid foam insulation. Frame is fabricated from 16 gage, galvanized steel with a prime coat finish and provided with bolt holes. Hinge is concealed and operates completely out of sight, so that only the door and frame are visible. Exterior latch is a cylinder lock that features a knurled knob or key operation. Finish is a prime coat suitable for painting.

**GUIDE SPECIFICATION:**

Provide 4779 Series, Exterior Access Doors (specify options). Access door frame shall be fabricated from 16 gage galvanized steel with a prime coat finish and provided with bolt holes. Access door panel shall be fabricated from 16 gage galvanized steel with a prime coat finish. Door shall be filled with 1" thick, rigid foam insulation and neoprene gasket on four sides. Access door shall have a concealed hinge with exterior latching cylinder lock that features a knurled knob or key operation. Finish shall be prime coat suitable for painting

**STANDARD AVAILABLE SIZES**

Special sizes available upon request

	NOMINAL DOOR SIZE (W X H)	WALL OPENING	LOCK QUANTITY	WEIGHT
4779	12" x 12"	12-3/8" x 12-3/8"	1	15 lbs.
4779	14" x 14"	14-3/8" x 14-3/8"	1	17 lbs.
4779	18" x 18"	18-3/8" x 18-3/8"	1	20 lbs.
4779	24" x 24"	24-3/8" x 24-3/8"	1	28 lbs.
4779	22" x 30"	22-3/8" x 30-3/8"	2	32 lbs.
4779	30" x 30"	30-3/8" x 30-3/8"	2	38 lbs.
4779	24" x 36"	24-3/8" x 36-3/8"	2	40 lbs.
4779	36" x 36"	36-3/8" x 36-3/8"	2	50 lbs.
4779	36" x 48"	36-3/8" x 48-3/8"	2	81 lbs.

**VARIATIONS:**

- Galvanized Drywall Bead -GB
- Stainless Steel Construction -SS  
Type 304 No. 4 Satin Finish

WEIGHT POUNDS	VOLUME CUBIC FEET	<b>FIGURE NUMBER</b> <b>4779</b>
---------------	-------------------	-------------------------------------

REV.	DATE	DESCRIPTION	BY	CKD. BY