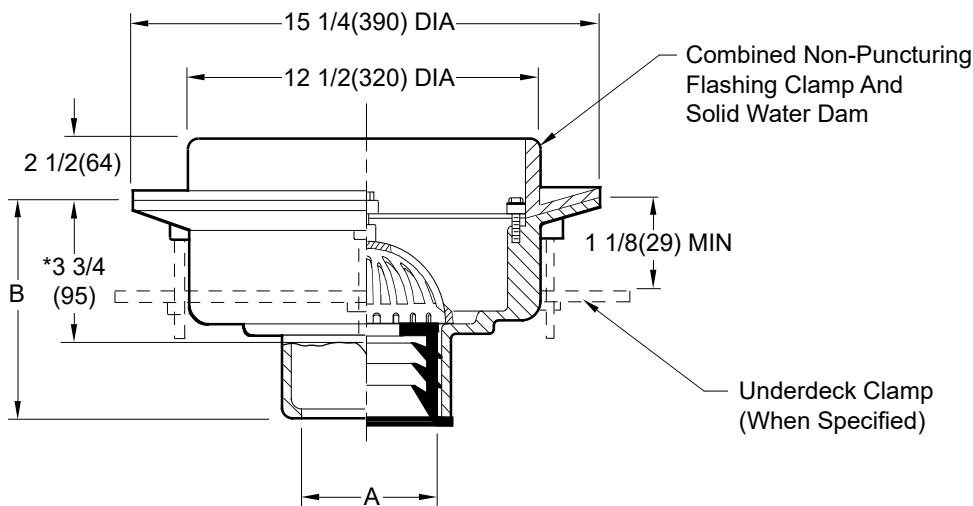


# ROOF-CEPTOR® INDIRECT WASTE DRAINS

## 12 1/2"(320) TOP - MEDIUM DEPTH RECEPTORS

Conforms to ASME A112.6.7/CSA B79.7



- Fig. 3980C . . . CAULK OUTLET
- Fig. 3980Y . . . NO-HUB OUTLET
- Fig. 3980T . . . THREADED OUTLET

\*This Dimension to Internal Stop of Speedi-Set® Gasket

recommended deck openings:

with suffix -R	17"(430) Dia
less suffix -R	14"(355) Dia

A SIZE	02 (50)	03 (75)	04 (100)	05 (125)	06 (150)
<b>B</b>	5(125) for Caulk, NO-HUB and Speedi-Set®. 3 3/4(95) for Threaded				

**REGULARLY FURNISHED:**

Duco Cast Iron Receptor with Solid Water Dam and Cast Iron Dome Bottom Strainer

**VARIATIONS:**

- Extension -E
- L Speedi-Set® Service Weight  
02(50), 03(75) & 04"(100) sizes only
- LXH Speedi-Set® Extra Heavy  
02(50), 03(75) & 04"(100) sizes only
- Roof Sump Receiver -R
- Underdeck Clamp -UDC
- Flat Grate -FG
- Vandal Proof -U

**OPTIONAL MATERIALS:**

- All Galvanized -G

**NOTE:** Dimensions shown in parentheses are in millimeters.

DRAWING NUMBER **S3980**  
 SIZE **A**  
 SCALE: **NONE**  
 DATE: **9-19-85**  
 APPROVED BY: **SJM**  
 CHECKED BY: **JD**  
 DRAWN BY: **PJ**  
**3980**  
 DIMENSIONS ARE SUBJECT TO MANUFACTURERS TOLERANCE AND CHANGE WITHOUT NOTICE

REV.	DATE	DESCRIPTION	BY	CKD. BY	WEIGHT POUNDS	VOLUME CUBIC FEET	FIGURE NUMBER <b>3980</b>