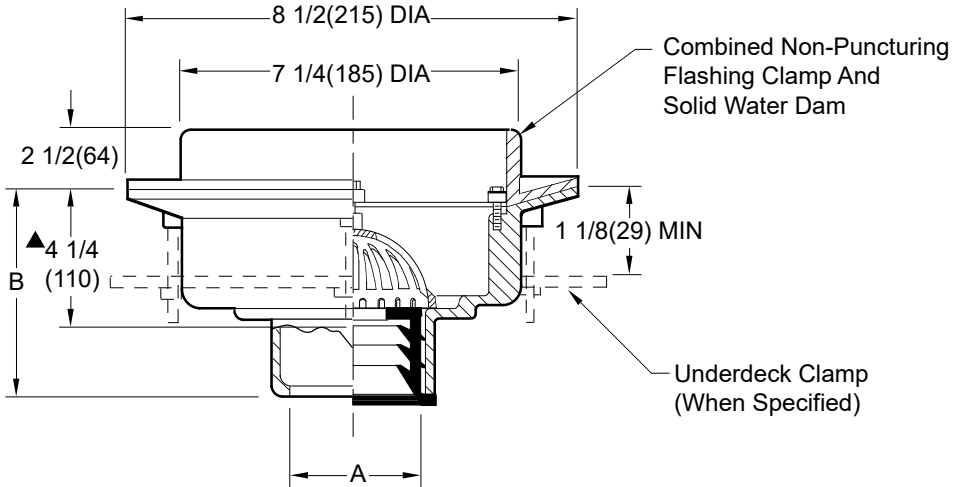


# ROOF-CEPTOR® INDIRECT WASTE DRAIN

## 7 1/4"(185) TOP - MEDIUM DEPTH RECEPTORS

Conforms to ASME A112.6.7/CSA B79.7



- Fig. 3960C ..... CAULK OUTLET
- Fig. 3960Y ..... NO-HUB OUTLET
- Fig. 3960T ..... THREADED OUTLET

▲ This Dimension to Internal Stop of Speedi-Set® Gasket

recommended deck openings:  
with suffix -R - 9"(230)  
less suffix -R - 7 3/4"(195)

A SIZE	02 (50)	03 (75)	04 (100)
<b>B</b>	5 1/2(140) for Caulk, NO-HUB and Speedi-Set®. 4 1/4(110) for Threaded		

**REGULARLY FURNISHED:**  
Duco Cast Iron Receptor with Solid Water Dam and Secured Cast Iron Dome Bottom Strainer.

- VARIATIONS:**
- Extension -E
  - L Speedi-Set® Service Weight
  - LXH Speedi-Set® Extra Heavy
  - Roof Sump Receiver -R
  - Underdeck Clamp -UDC

**OPTIONAL MATERIALS:**  
 All Galvanized -G

**NOTE:** Dimensions shown in parentheses are in millimeters.

DRAWING NUMBER **S3960**  
SIZE **A**  
SCALE: **NONE**  
DATE: **9-19-85**  
APPROVED BY: **JD**  
CHECKED BY: **JD**  
DRAWN BY: **PJ**  
**3960**

WE CAN ASSUME NO RESPONSIBILITY FOR USE OF SUPERSEDED OR VOID DATA  
DIMENSIONS ARE SUBJECT TO MANUFACTURERS TOLERANCE AND CHANGE WITHOUT NOTICE

FIGURE NUMBER	H G F E	4-19-24 7-26-23 3-13-23 8-12-21	Added ASME Note Removed Function Added ® to Speedi-Set Removed "vandal proof"	HS HS KK KK	BW CL CL CL	WEIGHT POUNDS	VOLUME CUBIC FEET	FIGURE NUMBER <b>3960</b>
REV.	DATE	DESCRIPTION	BY	CKD. BY				