

FLOOR DRAINS AND ACCESSORIES

200 Series

TAG _____

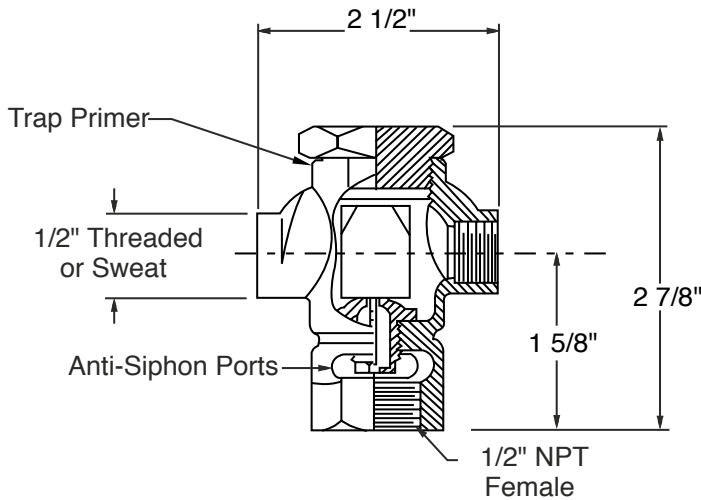
Automatic Trap Primer, Series 261

Product Description:

Used where trapped drains are installed in locations used infrequently or other conditions might permit water seal to evaporate, allowing sewer gas or objectionable and contaminating odors to escape through the drain. A trap primer is recommended to compensate for evaporation while providing a water seal in the trap at all times.

Features and Benefits:

- Replenishes evaporated water in the floor drain P-trap to prevent escape of sewer gases
- Cast bronze with 1/2" sweat or threaded connection available
- Anti-Siphon ports in trap primer body prevent siphonage of trap water and backflow into the potable water supply line



Series 261

| Series Number | Pipe Size | Inlet and Outlet |
|---------------|-----------|----------------------------------------|
| 261-T | 1/2" | NPT female inlet and outlet connection |
| 261-SC | 1/2" | Copper sweat connection |

NOTE: Dimensional data is subject to manufacturing tolerances and change without notice.