

DRAWING NUMBER
s2051

SIZE
A

SCALE:
NONE

DATE:
4-7-08

APPROVED BY:
CEL

CHECKED BY:
CL

DRAWN BY:
TBW

2051

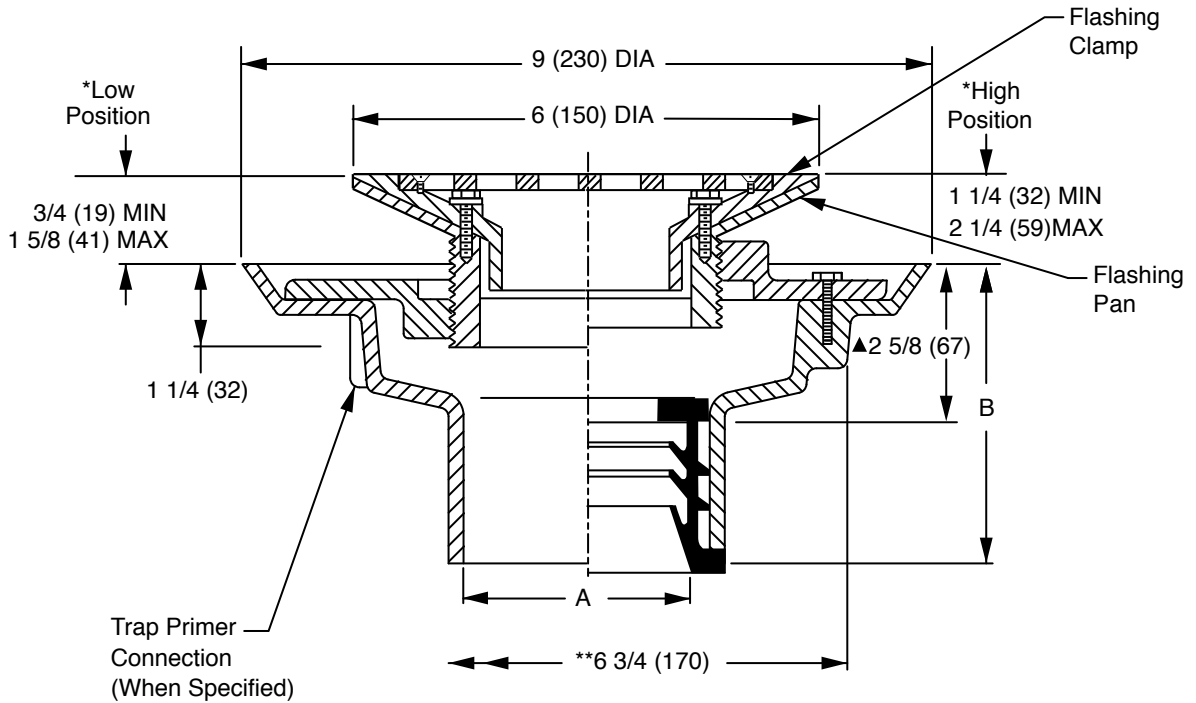
DIMENSIONS ARE SUBJECT TO MANUFACTURERS TOLERANCE AND CHANGE WITHOUT NOTICE WE CAN ASSUME NO RESPONSIBILITY FOR USE OF SUPERSEDED OR VOID DATA

FLOOR OR SHOWER DRAIN WITH ADJUSTABLE STRAINER HEAD

FLASHING STRAINER TYPE

FUNCTION: Designed for clamping Altro Vinyl Traffic Flooring or other waterproofing materials at the finished floor level.

FREE AREA
7 SQ IN
(45) SQ CM



A (Pipe Size) = 02(50), 03(75), 04(100), 05(125) or 06(150)

- Fig. 2051Y..... NO-HUB Outlet
- Fig. 2051C..... Caulk Outlet

▲ This dimension to internal stop of Speedi-Set Gasket
 * Collar is reversible to obtain extreme high and low strainer positions.
 ** MIN 6 3/4"(170) hole required for core drilled application.
NOTE: 05(125) and 06(150) outlet size available in NO-HUB only.

A SIZE	02(50), 03(75), 04(100), 05(125) or 06(150)
B	04(100 for NO-HUB, Caulk and Speedi-Set, 3(76) for Threaded

REGULARLY FURNISHED:
 Duco Cast Iron Body with Flashing Collar and Adjustable Flashing Type Nickel Bronze Strainer.

NOTE: Dimensions shown in parentheses are in millimeters.

VARIATIONS:

- L Speedi-Set Service Weight 2(50), 3(75) & 4"(100) only
- LXH Speedi-Set Extra Heavy 2(50), 3(75) & 4"(100) only
- Trap Primer Connection -P050 1/2" (13) & -P075 3/4" (19)
- Vandal Proof Screws -U
- T Threaded Outlet

OPTIONAL MATERIALS:

- Galvanized Cast Iron Body -G
- Polished Bronze Strainer -PB
- Chrome Plated Strainer -CP

REV.	DATE	DESCRIPTION	BY	CKD. BY

WEIGHT POUNDS	VOLUME CUBIC FEET

FIGURE NUMBER
2051